

Pixsys[®]
ELECTRONICS

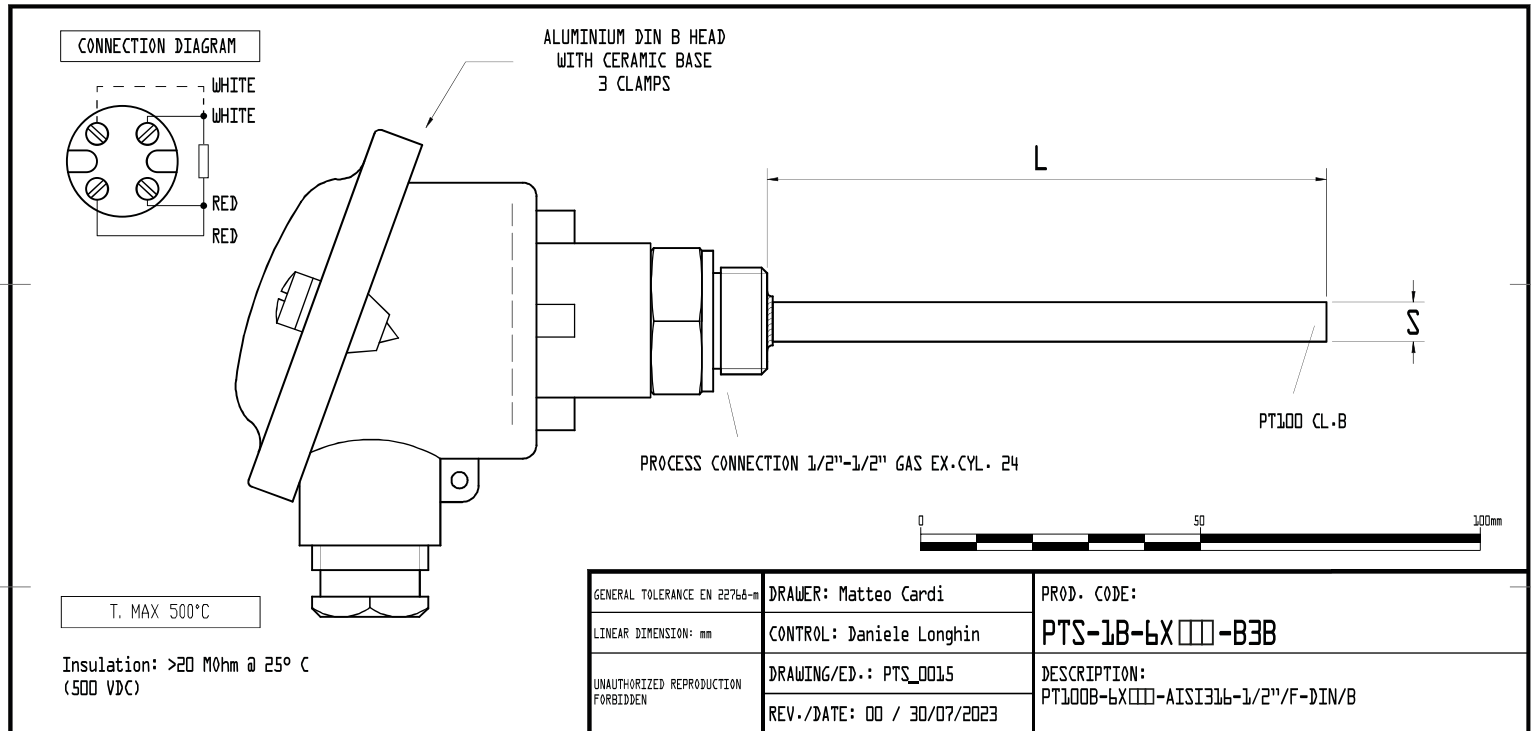
CODE: **PTS-1B-6X□□□-B3B**
DESCRIPTION: Temperature Sensor PT100 Class B, AISI316 sheath
 Ø 6 mm, 1/2" male GAS fixed under head, DIN B

OPERATING TEMPERATURE: -100°C + 500°C
HEAD MATERIAL: Aluminium
IMMERSED MATERIAL: Steel AISI 316L (food grade)
FITTING MATERIAL: N.A.
SENSOR INSULATION: MgO Magnesium Oxide >20Mohm @ 25°C (500VDC)
TIP TAPERING: NO
CERTIFICATION: NO

□□□ = SHEATH LENGTH (L): 050 = 50 mm 250 = 250 mm 450 = 450 mm
 100 = 100 mm 300 = 300 mm 500 = 500 mm
 150 = 150 mm 350 = 350 mm
 200 = 200 mm 400 = 400 mm

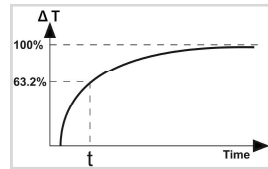
SHEATH EXT. Ø (S): 6 mm
SHEATH INT. Ø: 5 mm
RTD RESPONSE: 6,5 sec

COMPLIANCE



STANDARD DIN EN 60751

Temperature C°	Tolerance PT100 B Class (+/- C°)
-200	1.3
-100	0.8
0	0.3
100	0.8
200	1.3
300	1.8
400	2.3
500	2.8



RTD response time with steel tube AISI-316/304 MgO insulated, conforming to B.S. 1904/1984/CEI60751. 50mm immersion in water at a speed of 1m/sec. Calculated on 63.2 % of the thermal jump, depending on stem diameter and thickness.

Pixsys srl
 Via Po, 16
 30030 - Mellaredo di Pianiga
 Venezia - Italia
 Tel. +39 041 5190518
 Fax +39 041 519002
 Mail info@pixsys.net
 www.pixsys.net



Manual's code: 2300.10.348
 Document version: rel.01
 Last update: 30/07/2023
 Author: Matteo Cardi

Ordering Code:

PTS- [] - [] - [] [] [] []

Sensor type	
1B	PT100 CLASS B
KB	PT1000 CLASS B
5A	PT500 CLASS A
PK	PTC 1000 OHM
P2	PTC 120 OHM
N1	NTC 10K (β3435K)
N2	NTC 10K (β3694K)
N3	NTC 2252 (β3976K)
TH	NI100
I2	NI120
TK	THERMOCOUPLE K
TJ	THERMOCOUPLE J
TS	THERMOCOUPLES

Process connection	
Examples:	
0	NN
1	1/8" MALE GAS FIXED UNDERHEAD
2	1/4" MALE GAS FIXED UNDERHEAD
3	1/2" MALE GAS FIXED UNDERHEAD
4	1" MALE GAS FIXED UNDERHEAD
...	
6	1/8" MALE NPT GAS FIXED UNDERHEAD
7	1/4" MALE NPT GAS FIXED UNDERHEAD
8	1/2" MALE NPT GAS FIXED UNDERHEAD
9	1" MALE NPT GAS FIXED UNDERHEAD
...	
A	1/8" MALE GAS SLIDING
B	1/4" MALE GAS SLIDING
C	1/2" MALE GAS SLIDING
D	1" MALE GAS SLIDING

Head/Cable/Connector	
Examples:	
A	HEAD DIN A
B	HEAD DIN B
C	HEAD MINI DIN
T	HEAD DIN A ATEX
X	HEAD DIN B ATEX
Y	HEAD MINI DIN ATEX
M	CONNECTOR M12 4 PIN
P	CONNECTOR HOSE
...	
1	GSC SILICONE CABLE 2m
2	PVCC CABLE 2m
3	TTS CABLE 2m
4	SPECIAL CABLE 2m
5	GSC SILICONE CABLE 3m
6	PVCC CABLE 3m
7	TTS CABLE 3m
8	SPECIAL CABLE 3m
9	FREE
Z	CUSTOM

Sheath diameter and length (S x L)	
Examples:	
6X150	Ext. Ø 6 mm x 100 mm
6X200	Ext. Ø 6 mm x 200 mm
6X300	Ext. Ø 6 mm x 300 mm
6X400	Ext. Ø 6 mm x 400 mm
8X250	Ext. Ø 8 mm x 250 mm
4X050	Ext. Ø 4 mm x 50 mm
AX150	Ext. Ø 10 mm x 150 mm
6X1M0	Ext. Ø 6 mm x 1 m
8X1M5	Ext. Ø 8 mm x 1,5 m
...	

Sheath material	
A	STEEL AISI304 SHEATH
B	STEEL AISI316 SHEATH
C	STEEL AISI308 SHEATH
M	STEEL AISI304 SHEATH, MgO INSULATION
N	INCONELL600 SHEATH
K	SINGLE CERAMIC SHEATH
Y	DOUBLE CERAMIC SHEATH