

220-240V 50 1~**GENERAL DATA****Application:** MBP**Refrigerant:** R290**Evaporating Temperature Range:** -20°C to 10°C**Compressor Cooling:** Fan**Fan air flow:** 520 m³/h**Type:** Hermetic reciprocating**Technology Type:** On-Off**Expansion Device:** Capillary Tube or Expansion Valve**Packing Quantity:** Single - 1 pc**Displacement:** 17.4 cm³**Horse power:** 3/4 hpApprovals:   **MECHANICAL DATA****Bore:** 34.12 mm**Stroke:** 19.03 mm**Oil Charge:** 450ml +/-15ml**Free Internal Volume:** 3.3 cm³**Maximum Recommended Refrigerant Charge:** 150 g**Oil Type Configuration:** Polyolester**Oil Type Viscosity:** ISO22**Compressor pressurization:** Without dry air charge**Weight:** 16.5 kg**ELECTRICAL DATA****Motor Type:** CSIR**Starting Torque:** HST**Voltage working range at 50 Hz:** 198-254 V**Maximum Motor Temperature:** 130 °C**Start Winding Resistance:** 9 Ω (± 10%) at 25°C**Run Winding Resistance:** 2.3 Ω (± 10%) at 25°C**Locked Rotor Amperage (LRA):** 30 A**MOUNTING ACCESSORIES**

	Description	Code
Anchorage:	no	-
Grommets:	yes	2221004
Sleeves:	yes	2222016
Washer:	no	-
Pin:	no	-
Clip:	no	-
Rotolock valve:	no	-
Cover:	yes	2075282
Terminal Board:	yes	1027060
Overload Protector Bracket:	yes	2075299
Capacitor Bracket:	yes	2255007

ELECTRICAL COMPONENTS

	Component type	Description	Code
Starting Device:	Current relay	MTRPH-0019-65	2334138
Motor Protection:	External 3/4"	T0558/G6	2319134
Start Capacitor:		53-64 MFD 330V	2252366

EXTERNAL CHARACTERISTICS**Base Plate:** Universal**Tray Holder:** No**Height:** 220 mm

	Internal Diameter (mm)	Material	Shape
Suction Connector	9.6	Copper	Vertical
Discharge Connector	6.42	Copper	Vertical
Process Connector	6.42	Copper	Vertical



RATED POINT DATA

Cooling Capacity (W)	Power Consumption (W)	Current Consumption (A)	Gas Flow Rate (kg/h)	Efficiency (W/W)
±5%	±5%	±5%	±5%	±7%
2 210	890	5.78	25.11	2.48

Test condition: ASHRAE, Fan, Return Gas 35°C, Subcooling 8.3K, Evaporating: 7.2°C, Condensing: 54°C, Ambient: 35°C

PERFORMANCE CURVE DATA

220V 50Hz

Condensing Temperature (°C)	Evaporating Temperature (°C)	Cooling Capacity (W)	Power Consumption (W)	Current Consumption (A)	Gas Flow Rate (kg/h)	Efficiency (W/W)
		±5%	±5%	±5%	±5%	±7%
35°C	10	3 199	712	5.27	32.09	4.49
	5	2 693	695	5.21	25.83	3.87
	0	2 243	675	5.15	21.94	3.32
	-5	1 850	651	5.08	18.97	2.84
	-10	1 514	624	5.01	15.45	2.43
	-15	1 235	592	4.93	9.93	2.09
	-20	1 012	556	4.85	0.94	1.82

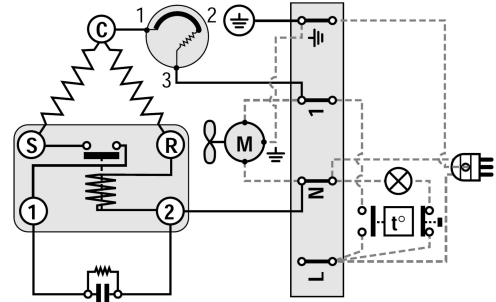
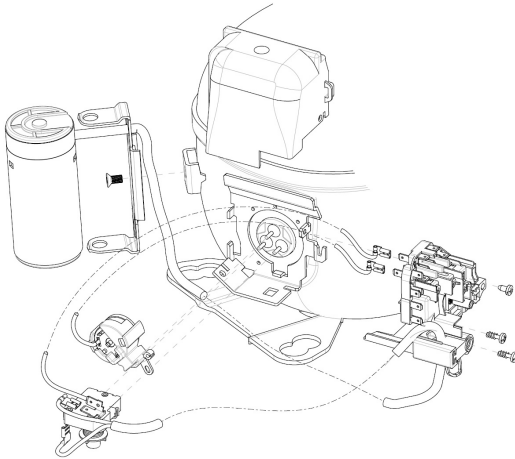
Condensing Temperature (°C)	Evaporating Temperature (°C)	Cooling Capacity (W)	Power Consumption (W)	Current Consumption (A)	Gas Flow Rate (kg/h)	Efficiency (W/W)
		±5%	±5%	±5%	±5%	±7%
45°C	10	2 797	809	5.53	30.57	3.46
	5	2 356	784	5.44	24.38	3.01
	0	1 961	753	5.34	20.61	2.60
	-5	1 610	717	5.24	17.80	2.24
	-10	1 304	676	5.12	14.48	1.93
	-15	1 042	630	5.00	9.19	1.66
	-20	826	577	4.87	0.48	1.43

Condensing Temperature (°C)	Evaporating Temperature (°C)	Cooling Capacity (W)	Power Consumption (W)	Current Consumption (A)	Gas Flow Rate (kg/h)	Efficiency (W/W)
		±5%	±5%	±5%	±5%	±7%
55°C	10	2 382	920	5.89	28.65	2.59
	5	2 015	885	5.76	22.67	2.28
	0	1 680	843	5.62	19.15	1.99
	-5	1 378	794	5.46	16.63	1.73
	-10	1 108	739	5.30	13.63	1.50

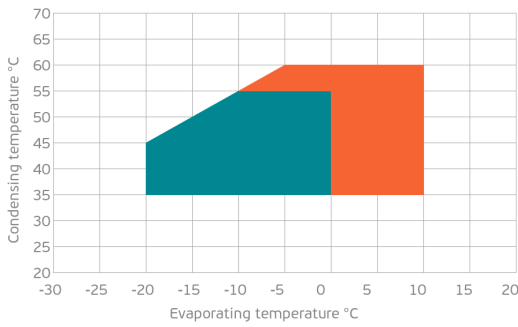
Test condition: ASHRAE, Fan, Return Gas 35°C, Subcooling 8.3K, Ambient: 35°C

ASSEMBLY INSTRUCTION

WIRING DIAGRAM

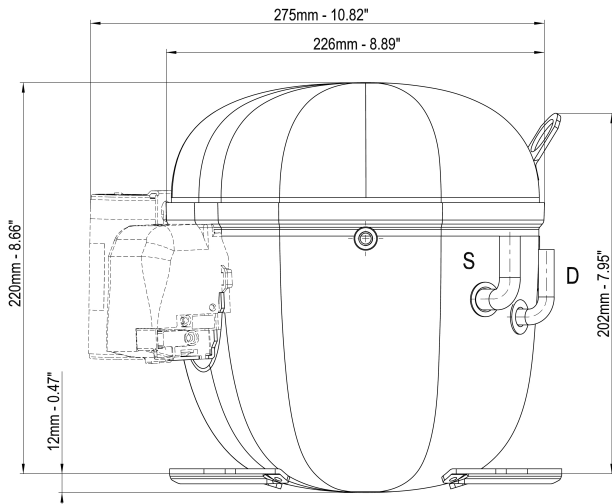


OPERATING ENVELOPE



- Operating Condition
- Transient Condition
- Superheating

NOTE: usage of compressors outside of intended working range cannot make use of the warranty, or should be consulted with Technical support.



	∅ mm	∅ in	Material
S - Suction	9.60	0.37	Cu
P - Process	6.42	0.25	Cu
D - Discharge	6.42	0.25	Cu

