

# ELECTRONIC TRANSFORMERS

TRASFORMATORI  
ELETTRONICI



10

Series	Type	Vin	Iout cc mA	ED	Output	Applications	page
--------	------	-----	------------------	----	--------	--------------	------



## TRK ELECTRONIC TRANSFORMERS | TRASFORMATORE ELETTRONICO TRK

	TRK1-20CVD	220-240V	<b>20</b>	100%	Grounded center		•	•	14
	TRK1-20PCVD	220-240V	<b>20</b>	100%	Grounded pole	•		•	15
	TRK1-30CVD	220-240V	<b>30</b>	100%	Grounded center		•	•	14
	TRK1-30CHD	220-240V	<b>30</b>	100%	Grounded center		•	•	18
	TRK1-30PCVD	220-240V	<b>30</b>	100%	Grounded pole	•		•	15
	TRK2-35	220-240V	<b>35</b>	33% on 3'	Grounded center		•		14
	TRK2-30PVD	220-240V	<b>30</b>	33% on 3'	Grounded pole	•			15
	TRK2-30PFVD	220-240V	<b>30</b>	33% on 3'	Grounded pole	•			15
	TRK2-30PVDUS	220-240V	<b>30</b>	33% on 3'	Grounded pole	•			15
	TRK2-30PFVDUS	220-240V	<b>30</b>	33% on 3'	Grounded pole	•			15
	TRK2-30PHD	220-240V	<b>30</b>	33% on 3'	Grounded pole	•			18
	TRK2-40VD	220-240V	<b>40</b>	33% on 3'	Grounded center		•		14
	TRK2-40HD	220-240V	<b>40</b>	33% on 3'	Grounded center		•		18
	TRK2-40HK	220-240V	<b>40</b>	33% on 3'	Grounded center		•		16
	TRK2-40HKL	220-240V	<b>40</b>	33% on 3'	Grounded center		•		16
	TRK2-40PVD	220-240V	<b>40</b>	33% on 3'	Grounded pole	•			15
	TRK2-40PHK	220-240V	<b>40</b>	33% on 3'	Grounded pole	•			17
	TRK2-40PHKL	220-240V	<b>40</b>	33% on 3'	Grounded pole	•			17
	TRK2-40SHK	220-240V	<b>40</b>	33% on 3'	Insulated		•		16
	TRK2-40SVD	220-240V	<b>40</b>	33% on 3'	Insulated		•		14
TRK2-40PHD	220-240V	<b>40</b>	33% on 3'	Grounded center		•		18	
TRK1-20CUVD	120V	<b>20</b>	100%	Grounded center		•		14	
TRK1-20PCUVD	120V	<b>20</b>	100%	Grounded pole	•			15	
TRK2-30PUVD	120V	<b>26</b>	33% on 3'	Grounded pole	•			15	
TRK2-30PUFVD	120V	<b>26</b>	33% on 3'	Grounded pole	•			15	
TRK2-30UVD	120V	<b>30</b>	33% on 3'	Grounded center		•		14	

## TRJ ELECTRONIC TRANSFORMER | TRASFORMATORE ELETTRONICO TRJ

	TRJ2-30VD	220-240V	<b>21</b>	33% su 3'	Grounded center		•		19
	TRJ2-30PVD	220-240V	<b>20</b>	33% su 3'	Grounded pole	•			19
	TRJ3-40CVD	220-240V	<b>30</b>	100%	Grounded center		•	•	20

# TRK HD

Horizontal outlet | Plug D  
Uscite Orizzontali | Spina D

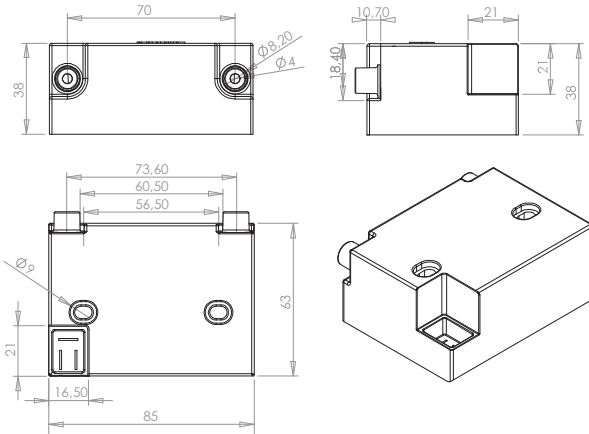


18

## 2 POLES | 2 POLI

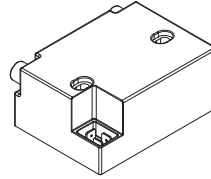


Technical drawing | Disegno tecnico [mm]



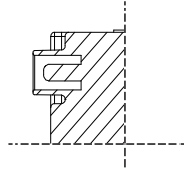
Inlet | Ingressi

Plug D | Presa per spina D



Outlet | Uscite

H plug, horizontal output plug, Ø 4mm (13.5 mm deep) |  
Spina A.T. Ø 4mm orizzontale H



**STANDARD**

Type	Vin	Pin	Iout cc	Iout burn*	Vout	ED	Ta	Output	Note
<b>CONTINUOUS 100%   CONTINUI 100%</b>									
TRK1-30CHD	220-240V	30W	30 mA	17 mA	2x12 kV	100%	60°C	Grounded center	CE

## INTERMITTENT | INTERMITTENTI

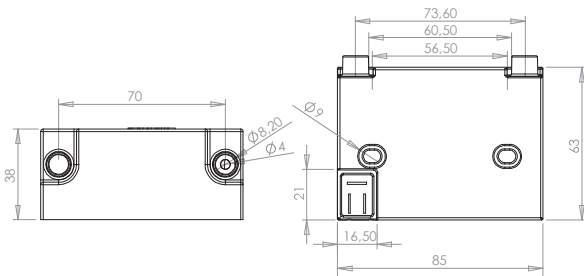
TRK2-40HD	220-240V	65W	40 mA	24 mA	2x10 kV	33% on 3'	60°C	Grounded center	CE
-----------	----------	-----	-------	-------	---------	-----------	------	-----------------	----

\*Current measured on the burner with 5mm spark gap, blowing air and suppressed cables | Condizioni di lavoro su bruciatore con puntine a 5mm in aria soffiata con cavi resistivi.

## 1 POLE | 1 POLO

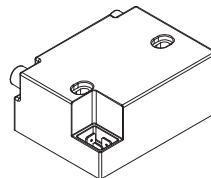


Technical drawing | Disegno tecnico [mm]



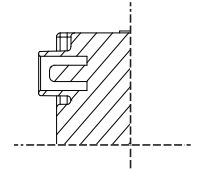
Inlet | Ingressi

Plug D | Presa per spina D



Outlet | Uscite

H plug, horizontal output plug, Ø 4mm (13.5 mm deep) |  
Spina A.T. Ø 4mm orizzontale H



Type	Vin	Pin	Iout cc	Iout burn*	Vout	ED	Ta	Output	Note
<b>INTERMITTENT   INTERMITTENTI</b>									
TRK2-30PHD	220-240V	63W	30 mA	20 mA	1x15 kV	33% on 3'	60°C	Grounded pole	CE
TRK2-40PHD	220-240V	65W	40 mA	24 mA	1x15 kV	33% on 3'	60°C	Grounded pole	CE

\*Current measured on the burner with 5mm spark gap, blowing air and suppressed cables | Condizioni di lavoro su bruciatore con puntine a 5mm in aria soffiata con cavi resistivi.

Applications | Applicazioni



Available certification | Certificazioni disponibili

