

220-240V 50Hz 1~**GENERAL DATA****Application:** MBP**Refrigerant:** R290**Compressor Cooling:** Fan**Fan air flow:** 520 m3/h**Maximum Condensing Pressure - Operating:** 18.07 bar**Maximum Condensing Pressure - Peak:** 20.16 bar**Type:** Hermetic reciprocating**Technology Type:** On-Off**Expansion Device:** Capillary Tube or Expansion Valve**Packing Quantity:** Single - 1 pc**Displacement:** 22.4 cm3**Horse power:** 1 hpApprovals:  **MECHANICAL DATA****Bore:** 36.99 mm**Stroke:** 20.83 mm**Oil Charge:** 450ml +/-15ml**Free Internal Volume:** 3.3 cm3**Maximum Recommended Refrigerant Charge:** 800 ml**Oil Type Configuration:** Polyolester**Oil Type Viscosity:** ISO22**Compressor pressurization:** Without dry air charge**Weight:** 17.7 kg**ELECTRICAL DATA****Motor Type:** CSR**Starting Torque:** HST**Voltage working range at 50 Hz:** 198-254 V**Maximum Motor Temperature:** 130 °C**Start Winding Resistance:** 8.8 Ω (± 10%) at 25°C**Run Winding Resistance:** 2.3 Ω (± 10%) at 25°C**MOUNTING ACCESSORIES**

	Description	Code
Terminal Board:	no	-
Anchorage:	no	-
Capacitor Bracket:	no	-
Grommets:	yes	2221004
Sleeves:	yes	2222016
Washer:	no	-
Pin:	no	-
Clip:	no	-
Rotolock valve:	no	-
Overload Protector Bracket:	yes	2075299
Cover:	yes	2075278

ELECTRICAL COMPONENTS

	Component type	Description	Code
Start Capacitor:		72-88 MFD 330V	2252270
Starting Device:	Potential relay	RVA3AN3C-647	1253026
Run Capacitor:		20 MFD	2253312
Motor Protection:	External 3/4"	T0907/G9	2321128
CSR / CSIR Box:	yes		1272002

EXTERNAL CHARACTERISTICS**Base Plate:** Universal**Tray Holder:** No**Height:** 220 mm

	Internal Diameter (mm)	Material	Shape
Suction Connector	9.6	Copper	Vertical
Discharge Connector	6.42	Copper	Vertical
Process Connector	6.42	Copper	Vertical



RATED POINT DATA

Cooling Capacity (W)	Power Consumption (W)	Current Consumption (A)	Gas Flow Rate (kg/h)	Efficiency (w/W)
±5%	±5%	±5%	±5%	±7%
839	1 026	4.63	0.00	0.82

Test condition: ASHRAE, Fan, Return Gas 35°C, Subcooling 8.3K, Evaporating: 7.2°C, Condensing: 54°C, Ambient: 35°C

PERFORMANCE CURVE DATA

220V 50Hz

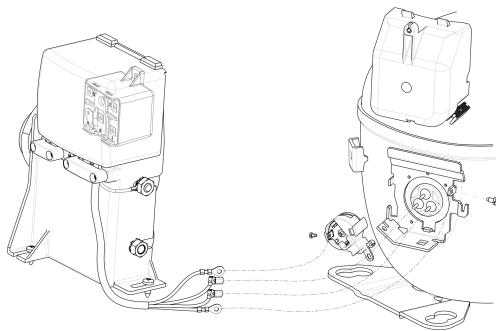
Condensing Temperature (°C)	Evaporating Temperature (°C)	Cooling Capacity (W)	Power Consumption (W)	Current Consumption (A)	Gas Flow Rate (kg/h)	Efficiency (w/W)
		±5%	±5%	±5%	±5%	±7%
35°C	10	3 984	825	3.77	0.00	4.83
	5	3 442	789	3.61	0.00	4.36
	0	2 930	752	3.44	0.00	3.90
	-5	2 452	712	3.25	0.00	3.44
	-10	2 009	670	3.06	0.00	3.00
	-15	1 607	624	2.86	0.00	2.57
	-20	1 248	573	2.64	0.00	2.18

Condensing Temperature (°C)	Evaporating Temperature (°C)	Cooling Capacity (W)	Power Consumption (W)	Current Consumption (A)	Gas Flow Rate (kg/h)	Efficiency (w/W)
		±5%	±5%	±5%	±5%	±7%
45°C	10	3 546	943	4.24	0.00	3.76
	5	3 025	894	4.05	0.00	3.38
	0	2 542	844	3.84	0.00	3.01
	-5	2 100	792	3.62	0.00	2.65
	-10	1 703	737	3.38	0.00	2.31
	-15	1 353	679	3.12	0.00	1.99
	-20	1 055	615	2.84	0.00	1.72

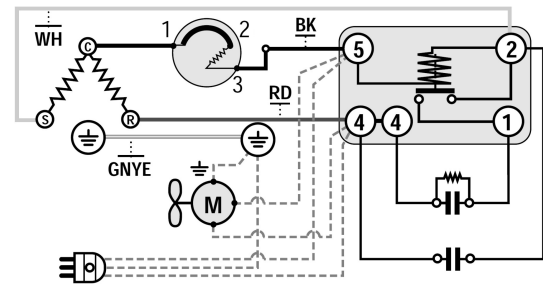
Condensing Temperature (°C)	Evaporating Temperature (°C)	Cooling Capacity (W)	Power Consumption (W)	Current Consumption (A)	Gas Flow Rate (kg/h)	Efficiency (w/W)
		±5%	±5%	±5%	±5%	±7%
55°C	10	3 103	1 075	4.83	0.00	2.89
	5	2 609	1 010	4.57	0.00	2.58
	0	2 162	943	4.30	0.00	2.29
	-5	1 764	875	4.00	0.00	2.02
	-10	1 419	803	3.67	0.00	1.77

Test condition: ASHRAE, Fan, Return Gas 35°C, Subcooling 8.3K, Evaporating: 7.2°C, Condensing: 54°C, Ambient: 35°C

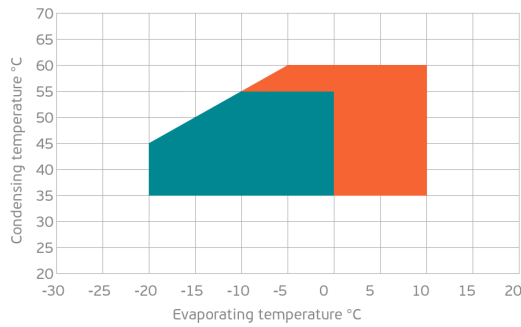
ASSEMBLY INSTRUCTION



WIRING DIAGRAM

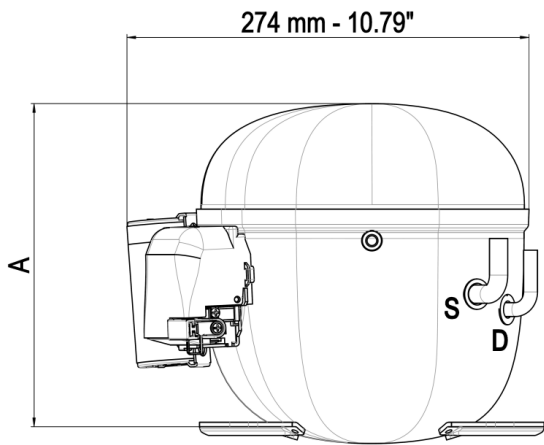


OPERATING ENVELOPE

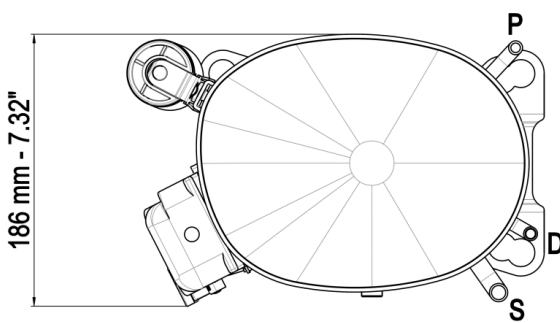


- Operating Condition
- Transient Condition
- Superheating

NOTE: usage of compressors outside of intended working range cannot make use of the warranty, or should be consulted with Technical support.



	∅ mm	∅ in	material
S - Suction	9.60 - 9.67	3/8	Cu
P - Process	6.42 - 6.50	1/4	Cu
S - Discharge	6.42 - 6.50	1/4	Cu



∅ 19 mm - 0.75" (x8)

