

External Rotor Axial Fan

Features

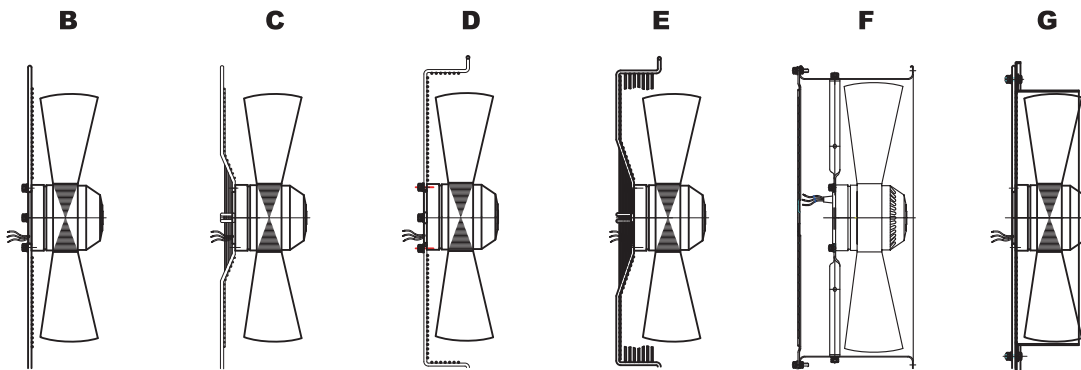
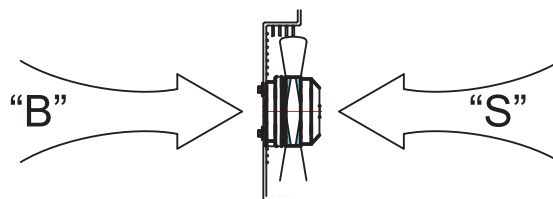
1. External rotor fan blade adopts advanced aerodynamic design, which beautiful in appearance, high efficiency
2. Fan rotor is directly with rotor and blade, that adopt dual-sided dynamic balance, dynamic balance achieved G6.3
3. The fan blade, rotor and grid is all sprayed ,the surface is bright appearance that is not easy oxidation and discoloration, and has good corrosion-resistant effect, motor cover also by the special treatment
4. Fan normal ambient temperature: -25℃ to +60℃, if the temperature range exceed the above, our factory can be customized according to customer requirements
5. The insulation grade of currently supplied fan is B-class, F-class and H-class, the protection class is IP54. At present, we can also supply the fan of working environment temperature: -40℃ to +60℃ and -25℃ to +80℃. All fans can install thermal protection in them. We will put the IP56 external rotor motor with new structure soon, and this structure has got national patent. It can apply to the high humidity and bad environment
6. Fans have single-phase capacitor running and three-phase asynchronous running. Single-phase motor has 380V/50Hz and 220V/60Hz. Three-phase motor has 380V/50Hz and 380V/60Hz. At the same time can provide customers with motors of the special requirements such as: special voltage, dual voltage and so on
7. Fan motor cable can be directly leaded out, and can provide various forms of water-proof junction box for the user's selection
8. The testing data of fan flow curves from the wind room is accurate and reliable

External Rotor Axial Fans Model Introduction

YWF 4 D 1 - 500 - M S - 7 L - A - V

1 2 3 4 5 6 7 8 9 10 11

1. AC Asynchronous external rotor axial fans
2. Number of poles
3. D: Three-phase motor / E: Single-phase motor
4. 1: 50Hz / 2: 60Hz / 3: 50Hz/60Hz
5. The diameter of blade
6. M: Big air volume / G: High air volume / A: A Series / C: C Series (Use on the normal temperature and high humidity) / E: E Series (Evaporator only)
7. Air flow direction , S: Sucking / B: Blowing
8. Blade quantity
9. Blade shape, L: Sickle type / XL: New sickle type / F: Square type / LT: conjoined type
10. A: Without grid / B: Flat grid / C: Flat concave grid / D: Concave flat grid / E: Standard grid / F: Inlet ring / G: Inlet ring with square plate
11. V: Two-voltage motor / S: Two-speed motor / T: Three-speed motor



Standard Grid

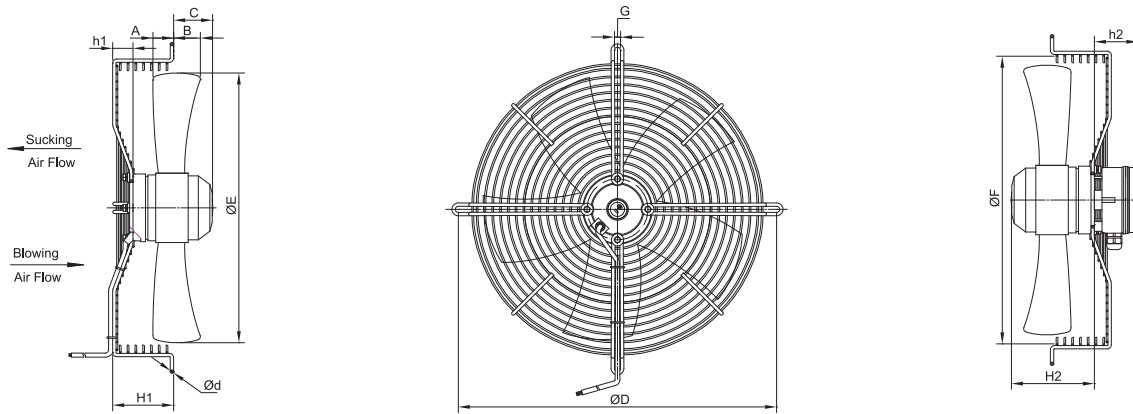


Inlet Ring with Square Grid



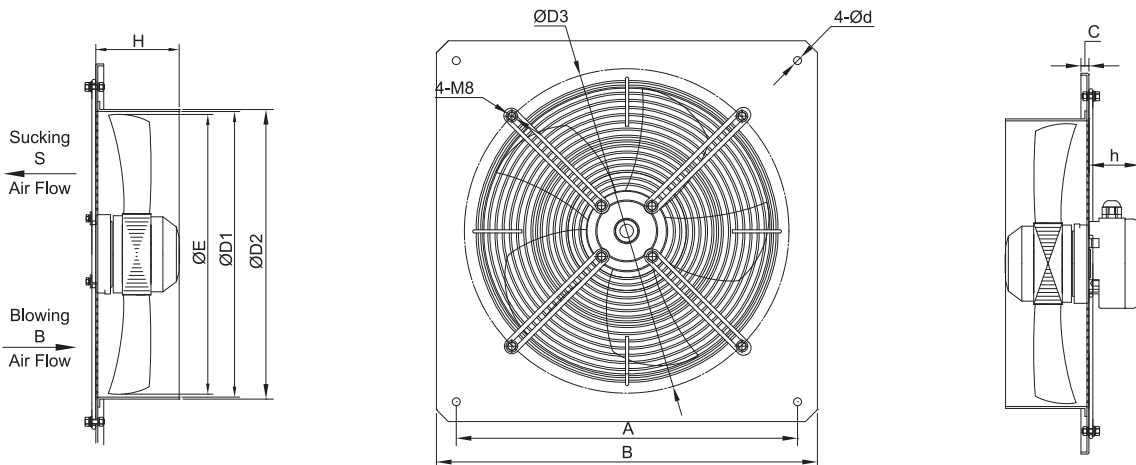
Inlet Ring

Dimension of Standard Grid



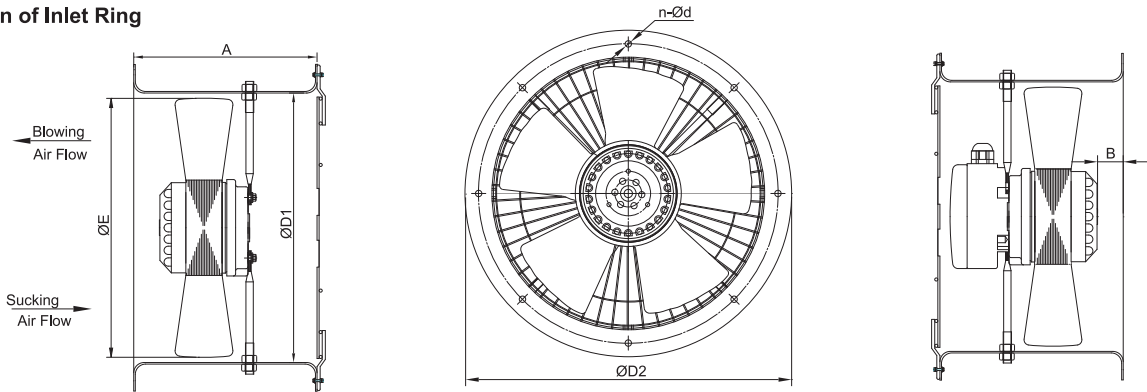
Dimension (mm)	A	B	C	h1	E	H1	d	G	D	G	h2	H2
YWF2E/D-200S/B-5LT-E	17	20	30	0	200	50	4	7	265	230	55.5	75.5
YWF4E/D-200S/B-5LT-E	11.5	20.5	25	0	200	50	4	7	265	230	55.5	70.5
YWF2E/D-250S/B-5LT-E	23.5	3.5	26	20	250	70	4	7	330	280	55.5	80.5
YWF4E/D-250S/B-5LT-E	21	18	21	20	250	70	4	7	330	280	55.5	75.5
YWF2E/D-300S/B-5XL-E	5	37	41	30	300	80	4	7	360	325	55.5	95.5
YWF4E/D-300S/B-5LT-E	17	24	36	30	300	80	4	7	360	325	55.5	85.5
YWFXE/D-315S/B-5XL-E	32	12	35	30	315	80	4	7	380	335	55.5	85.5
YWFXE/D-330S/B-5L-E	36	49	54	30	330	80	5	7	402	350	55.5	110
YWFXE/D-350S/B-5L-E	39.5	47.5	55	30	350	80	5	9	422	375	55.5	110.5
YWFXE/D-380S/B-5L-E	31	39	58	30	380	80	5	9	450	400	55.5	125
YWFXE/D-400S/B-5L-E	46	28	57	30	400	90	5	9	470	425	55.5	122.5
YWFXE/D-450S/B-5L-E	19	47	72	30	450	90	6	10	522	475	55.5	135.5
YWFXE/D-500S/B-5L-E	19	36	75	30	500	90	6	10.5	570	525	55.5	137
YWFXE/D-550S/B-5XL-E	23	50	84	30	550	90	6	10.5	632	578	55.5	151
YWFXE/D-600S/B-5XL-E	41	24	94	30	600	95	7	10.5	695	650	55.5	165
YWFXE/D-630S/B-5XL-E	51	14	94	30	630	95	7	10.5	735	660	55.5	165
YWFXE/D-700S/B-6L-E	27	15	90	35	700	108	7.5	12	795	740	55.5	165
YWFXE/D-750S/B-6L-E	33	16	90	35	750	108	7.5	12	850	790	55.5	165

Dimension of Inlet Ring with Square Grid



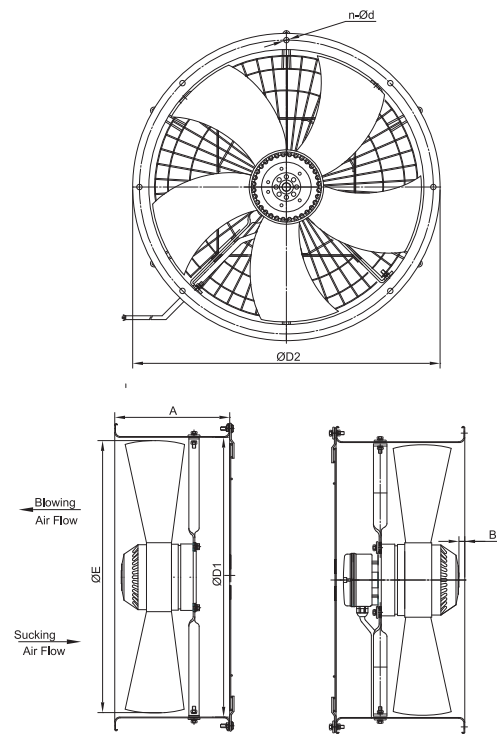
Dimension (mm)	H	E	D1	D2	D3	d	A	B	C	h
YWF2E/D-200S/B-5LT-G	70	200	210	212.4	235	10	290	330	10	55.5
YWF4E/D-200S/B-5LT-G	70	200	210	212.4	235	10	290	330	10	55.5
YWF2E/D-250S/B-5LT-G	70	250	262	264.4	300	10	330	380	10	55.5
YWF4E/D-250S/B-5LT-G	70	250	262	264.4	300	10	330	380	10	55.5
YWF2E/D-300S/B-5LT-G	80	300	315	317.4	360	10	380	430	10	55.5
YWF4E/D-300S/B-5LT-G	80	300	315	317.4	360	10	380	430	10	55.5
YWFXE/D-315S/B-5XL-G	80	315	325	327.4	370	10	400	450	10	55.5
YWFXE/D-350S/B-5L-G	105	350	365	267.4	410	10	430	480	10	55.5
YWFXE/D-400S/B-5L-G	112	400	415	417.4	460	10	480	530	10	55.5
YWFXE/D-450S/B-5L-G	128	450	465	468	510	12	530	580	10	55.5
YWFXE/D-500S/B-5L-G	128	500	515	518	560	12	580	630	10	55.5
YWFXE/D-550S/B-5L-G	140	550	570	573	615	12	630	680	10	55.5
YWFXE/D-600S/B-5L-G	155	600	620	623	665	12	680	730	10	55.5
YWFXE/D-630S/B-5L-G	155	630	650	658	695	12	710	760	10	55.5

Dimension of Inlet Ring



YWFXE/D-200S/B - YWFXE/D-450S/B

Dimension (mm)	A	E	D1	D2	n	d	B
YWF2E/D-200S/B-5LT-F	185	200	215	255	6	6	48
YWF4E/D-200S/B-5LT-F	185	200	215	255	6	6	53
YWF2E/D-250S/B-5LT-F	185	250	260	310	6	7	26
YWF4E/D-250S/B-5LT-F	185	250	260	310	6	7	36
YWF2E/D-300S/B-5XL-F	185	300	310	350	6	7	21.5
YWF4E/D-300S/B-5LT-F	185	300	310	350	6	7	26
YWFXE/D-315S/B-5L-F	185	315	325	365	6	7	28
YWFXE/D-330S/B-5L-F	197	330	340	395	6	7	33
YWFXE/D-350S/B-5L-F	210	350	360	415	6	7	32
YWFXE/D-380S/B-5L-F	210	380	390	415	6	7	20
YWFXE/D-400S/B-5L-F	210	400	410	465	6	7	20
YWFXE/D-450S/B-5L-F	220	450	460	515	6	7	16.5
YWFXE/D-500S/B-5L-F	210	500	515	565	8	10	7
YWFXE/D-550S/B-5XL-F	225	550	560	615	8	10	-3
YWFXE/D-600S/B-5XL-F	245	600	615	670	8	10	-39
YWFXE/D-630S/B-5XL-F	245	630	645	710	8	10	-39



YWFXE/D-500S/B - YWFXE/D-630S/B



YWF 200 Series



YWF 300 Series



YWF 350 Series



YWF 400 Series



YWF 500 Series



YWF 600 Series

Technical Data

Model	V	Frequency Hz	Current A	Power Input W	Speed rpm	Noise dBA	Capacitor μ F	Max. Static Pressure Pa	Air Flow m^3/h	Weight kg
YWF 200 Series External Rotor Axial Fans										
YWF2D-200S/B-5LT	380	50	0.25	65	2600	57	-	90	720	1.6
YWF2E-200S/B-5LT	220	50	0.35	70	2600	56	2	80	690	1.6
YWF4D-200S/B-5LT	380	50	0.15	30	1450	40	-	30	330	1.6
YWF4E-200S/B-5LT	220	50	0.15	30	1400	40	3	30	330	1.6
	220	60	0.25	40	1500	45	1	60	420	
YWF 250 Series External Rotor Axial Fans										
YWF2D-250S/B-5LT	380	50	0.3	150	2600	65	-	70	930	1.6
YWF2E-250S/B-5LT	220	50	0.5	110	2400	69	3	60	915	1.6
YWF4D-250S/B-5LT	380	50	0.2	50	1400	55	-	60	915	1.6
	380	60	0.15	35	1600	57	-	70	1050	
YWF4E-250S/B-5LT	220	50	0.25	50	1400	54	1.5	60	900	1.6
	220	60	0.25	60	1700	56	1.5	70	1080	

Model	Voltage V	Frequency Hz	Current A	Power Input W	Speed rpm	Noise dBA	Capacitor μ F	Max. Static Pressure Pa	Air Flow m ³ /h	Weight kg
YWF 300 Series External Rotor Axial Fans										
YWF2D-300S/B-5XL	380	50	0.5	250	2500	68	-	100	2025	3.3
YWF2E-300S/B-5XL	220	50	0.85	180	2650	69	5	100	2050	3.3
YWF4D-300S/B-5LT	380	50	0.3	80	1380	60	-	60	1025	3.3
	380	60	0.25	100	1600	62	-	80	1480	
YWF4E-300S/B-5LT	220	50	0.4	80	1380	57	2	55	950	3.3
	220	60	0.52	110	1500	61	2	80	1450	
YWF 315 Series External Rotor Axial Fans										
YWF4D-315S/B-5L	380	50	0.25	70	1400	59	-	100	1700	2.4
YWF4E-315S/B-5L	220	50	0.4	85	1380	58	2	100	1650	2.4
YWF6E-315S/B-5L	220	50	0.31	62	910	49	1	70	1000	2.4
YWF 330 Series External Rotor Axial Fans										
YWF4D-330S/B-5L	380	50	0.43	145	1380	59	-	95	2100	2.6
YWF4E-330S/B-5L	220	50	0.6	125	1380	63	3	100	2000	2.5
YWF6E-330S/B-5L	220	50	0.36	75	900	49	2.5	60	1500	2.5
YWF 350 Series External Rotor Axial Fans										
YWF4D-350S/B-5L	380	50	0.45	150	1380	64	-	90	2050	4.8
	380	60	0.4	180	1600	67	-	120	2450	
YWF4E-350S/B-5L	220	50	0.7	150	1380	64	4	85	2050	4.8
	220	60	0.9	190	1500	68	4	115	2500	
YWF6D-350S/B-5L	380	50	0.3	90	950	53	-	80	1250	4.8
	380	60	0.25	85	1100	60	-	70	1800	
YWF6E-350S/B-5L	220	50	0.4	75	930	52	2	70	1250	4.8
	220	60	0.45	80	1100	62	2	65	1850	
YWF 380 Series External Rotor Axial Fans										
YWF4D-380S/B-5L	380	50	0.6	185	1380	59	-	95	3200	5.5
YWF4E-380S/B-5L	220	50	1	200	1380	63	6	95	3160	5.5
YWF 400 Series External Rotor Axial Fans										
YWF4D-400S/B-5L	380	50	0.6	200	1380	68	-	100	3470	5.6
	380	60	0.65	300	1500	73	-	115	4080	
YWF4E-400S/B-5L	220	50	0.95	200	1380	69	6	100	3430	5.6
	220	60	1.3	300	1550	75	6	90	4240	
YWF6D-400S/B-5L	380	50	0.35	110	920	58	-	65	2310	5.6
	380	60	0.42	145	1100	58	-	80	3040	
YWF6E-400S/B-5L	220	50	0.55	120	950	56	3	65	2370	5.6
	220	60	0.55	125	1100	59	3	60	2960	
YWF 450 Series External Rotor Axial Fans										
YWF4D-450S/B-5L	380	50	0.55	250	1360	68	-	110	4260	7.2
	380	60	0.7	350	1500	72	-	100	4800	
YWF4E-450S/B-5L	220	50	1.2	260	1350	73	6	65	4260	7.2
	220	60	1.8	400	1500	74	10	90	5300	
YWF6D-450S/B-5L	380	50	0.75	150	950	60	-	80	3000	7.2
	380	60	0.58	175	1100	61	-	85	3700	
YWF6E-450S/B-5L	220	50	0.6	130	920	60	4	60	2920	7.2
	220	60	1.05	180	1100	61	4	85	3740	

Model	Voltage V	Frequency Hz	Current A	Power Input W	Speed rpm	Noise dBA	Capacitor µF	Max. Static Pressure Pa	Air Flow m ³ /h	Weight kg
YWF 500 Series External Rotor Axial Fans										
YWF4D-500S/B-5L	380	50	0.95	450	1320	68	-	125	5800	9.3
	380	60	1.25	650	1550	70		120	6880	
YWF4E-500S/B-5L	220	50	2.1	450	1350	68	12	120	5920	9.3
	220	60	2.85	600	1500	70	12	120	5920	
YWF6D-500S/B-5L	380	50	0.85	230	950	53	-	110	3900	9.3
	380	60	0.65	230	1100	60	-	110	4480	
YWF6E-500S/B-5L	220	50	0.8	175	950	52	6	110	3800	9.3
	220	60	1	210	1100	62	6	110	4600	
YWF 550 Series External Rotor Axial Fans										
YWF4D-550S/B-5XL	380	50	1.2	600	1350	75	-	120	6800	10.5
	380	60	1.56	800	1450	77		120	8200	
YWF4E-550S/B-5XL	220	50	2.8	600	1350	77	12	90	7080	10.5
	220	60	3.8	780	1500	76	12	80	8000	
YWF6D-550S/B-5XL	380	50	1.1	310	950	69	-	90	5160	10.5
	380	60	0.9	350	1100	70	-	90	6400	
YWF6E-550S/B-5XL	220	50	1.0	210	900	68	6	60	5000	10.5
	220	60	1.2	350	1100	70	6	65	6000	
YWF600 Series External Rotor Axial Fans										
YWF4D-600S/B-5XL	380	50	1.45	750	1350	76	-	120	7750	10.5
YWF4E-600S/B-5XL	220	50	3.5	700	1400	77	12	110	8040	10.5
YWF6D-600S/B-5XL	380	50	1.2	350	900	70	-	65	5320	10.5
	380	60	1.1	430	1100	70	-	80	6600	
YWF6E-600S/B-5XL	220	50	1.5	320	900	70	10	65	5320	10.5
YWF630 Series External Rotor Axial Fans										
YWF4D-630S/B-5XL	380	50	1.8	800	1300	78	-	120	9300	14.2
YWF4E-630S/B-5XL	220	50	4.5	900	1300	78	12	120	9500	14.2
YWF6D-630S/B-5XL	380	50	1.3	400	900	70	-	90	6500	14.2
	380	60	1.2	460	1100	70	-	90	7800	
YWF6E-630S/B-5XL	220	50	1.8	350	900	70	10	85	6300	14.2
YWF700 Series External Rotor Axial Fans										
YWF6D-700S/B-6L	380	50	1.6	750	900	75	-	95	8800	18
	380	60	2.1	1050	750	76	-	90	11500	
YWF8D-700S/B-6L	380	50	1.45	350	650	71	-	95	6400	18
YWF750 Series External Rotor Axial Fans										
YWF6D-750S/B-6L	380	50	1.6	800	900	78	-	135	16000	20
	380	60	2.60	1110	960	80	-	100	18000	
YWF8D-750S/B-6L	380	50	1.35	400	650	75	-	80	14000	20
	380	60	2.00	950	680	76	-	80	14800	