

Mini2Plus V2 Thermal Imager



The Mini2Plus V2 is a versatile smartphone thermal camera with manual focus for inspecting homes and troubleshooting HVAC problems. It offers high thermal resolution, SuperIR image enhancement, and accurate temperature readings. Compatible with iOS and Android devices, it's a convenient and reliable tool for thermal imaging.

▪ Key Features

- Thermal resolution: 256 × 192 (49 152 pixels)
- SuperIR image enhancement technology on live view and captured images
- 3-in-1: USB-C (iOS & Android), Lightning (Includes a Lightning to USB-C adapter)
- NETD: < 40 mK (@ 25 °C, F#=1.0)
- Accuracy: ±2 °C (-20 °C to 100 °C) ; ±2 % (100 °C to 400 °C)
- 24 g Weight

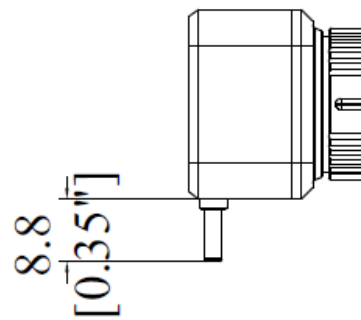
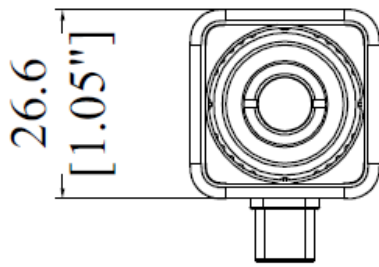
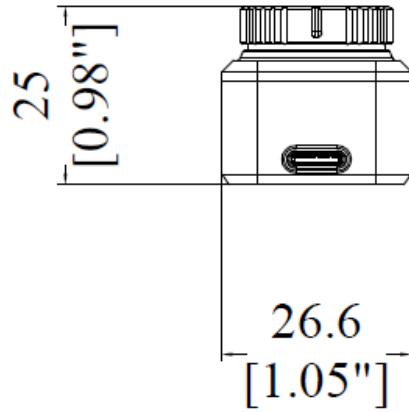
▪ Specification

Infrared Image	
IR Resolution	256 × 192 (49,152 pixels)
SuperIR	Yes, on captured images and live view
NETD	<40 mK (@ 25 °C, F#=1.0)
Image Frequency	25 Hz
Detector Pitch	12 μm
Spectral Range	7.5 to 14 μm
Focal Length	6.9 mm
F-number	F1.0
Field of View (FOV)	25° × 18.8°
Min. Focus Distance	0.1 m (0.33 ft)
Focus Mode	Manual Focus
Image Display	
Color Palettes	White Hot, Black Hot, Rainbow, Ironbow, Sepia, Color, Ice Fire, Rain, Red Hot, Green Hot, Dark Blue, Combined
Image Modes	Thermal, Visual(with the phone camera)
Measurement and Analysis	
Object Temperature Range	-20°C to 400°C(-4°F to 752°F)
Accuracy	Max (±2°C/3.6°F, ±2%), for ambient temperature 15°C to 35°C (59°F to 95°F) and object temperature above 0°C (32°F)
Measurement Tools	Center Spot, Hot Spot, Cold Spot User-definable: 3 spots, 3 rectangles and 1 line.
Level and Span Mode	Auto/Manual
General	
Power Consumption	360 mW
Interface	USB-C Android, USB-C iOS, Lightning iOS (Includes a Lightning to USB-C adapter)
Device Compatibility	iOS (version 14 and later), Android (version 7 and later) smartphones and tablets, or Windows devices
Software Compatibility	HIKMICRO Viewer app for iOS and Android, HIKMICRO Analyzer software for Windows
Protection Level	IP40
Drop Test Height	1 m (3.28 ft)
Working Temperature Range	-10°C to 50°C (14°F to 122°F)
Storage Temperature Range	-20°C to 60°C (-4°F to 140°F)
Weight	Approx. 24 g (0.053 lb)
Dimension	26.6 × 26.6 × 25 mm (1.05 × 1.05 × 0.98 in)

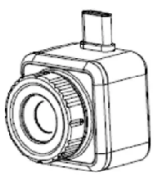
▪ Available Model

HM-TJ32-7RF-Mini2Plus V2

▪ Dimension



▪ Packaging List



Thermal Imager (x 1)



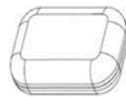
USB-C Extension Cord (x 1)



Lightning Adapter (x 1)



USB-C Extension Adapter (x 1)



Protective Case (x 1)



Quick Start Guide (x 1)

- **Accessory**
- **Recommended Purchase**

**HM-AHBR02
Pocket/Mini Series
Desktop Stand
Bracket**



COMPLIANCE NOTICE: The thermal series products might be subject to export controls in various countries or regions, including without limitation, the United States, European Union, United Kingdom and/or other member countries of the Wassenaar Arrangement. Please consult your professional legal or compliance expert or local government authorities for any necessary export license requirements if you intend to transfer, export, re-export the thermal series products between different countries.



 Hikmicro Industrial

 hikmicro_industrial

 HIKMICRO Industrial

 HIKMICRO

 info@hikmicrotech.com

 www.hikmicrotech.com

© Hangzhou Microimage Software Co., Ltd. All Rights Reserved.

*Note: Specifications are subject to change without notice. For the current specs,
please go to www.hikmicrotech.com