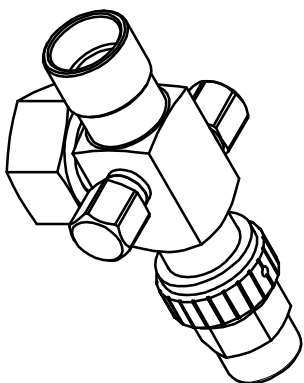
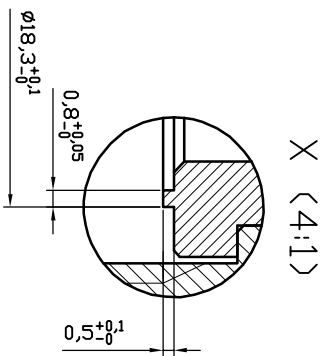
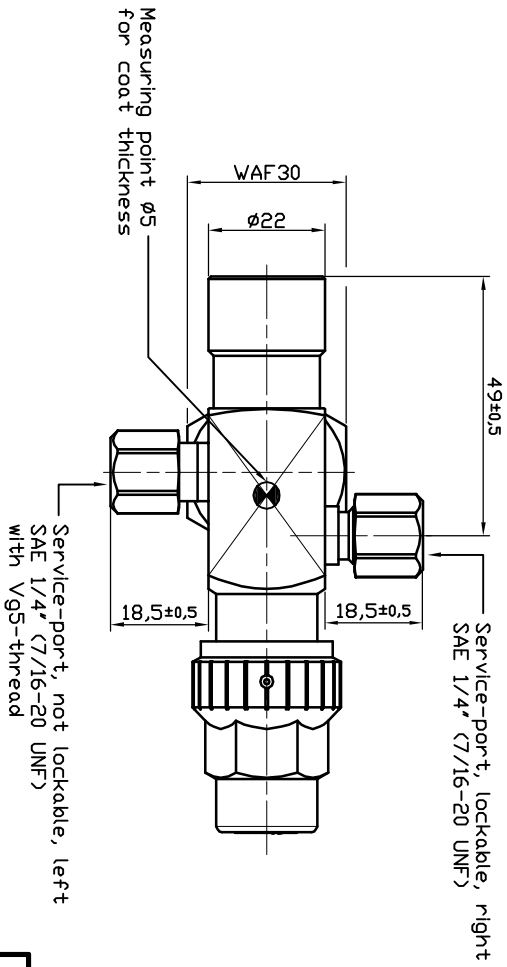


Tolerance for disassembly of protection for fully opened spindle



Recommended torques for use [Nm]	
Valve seat	20 +5
Back seal	12 +2
Stuffing box	12 +5
Protection cap	14 +2
Service connection	5 +5
Rotalock connection	60 +10



Zust.	Änderung	Datum	Name	Urspr.	U3377										
<table border="1"> <thead> <tr> <th>Datum</th> <th>Name</th> </tr> </thead> <tbody> <tr> <td>18.01.18</td> <td>Mikesch</td> </tr> <tr> <td>09.04.20</td> <td>Gürtler</td> </tr> <tr> <td>17.04.20</td> <td>Heid</td> </tr> <tr> <td>23.04.20</td> <td>Mikesch</td> </tr> </tbody> </table>						Datum	Name	18.01.18	Mikesch	09.04.20	Gürtler	17.04.20	Heid	23.04.20	Mikesch
Datum	Name														
18.01.18	Mikesch														
09.04.20	Gürtler														
17.04.20	Heid														
23.04.20	Mikesch														
(Zul. Abw.) DIN ISO 2768 mittel															
(Oberfl.) Maßstab 1:1 (Werkstoff) (Halbzeug) steel (Rohrteil)															
<b>Rotalock valve S22 CuSn MrBl</b> ODS 18 - RLF 1															
50-3072-051															
Ers. für:					Ers. durch:										
					Blatt 1/1										

Classification acc. PED 2014/68/EU	Article 4 (3)
Application medium	Reference acc. to EN 578-1 (2015) PED Fluid Group E
Operating conditions	Ts: -10°C ... +140°C PS 45 bar Tst: -40°C ... -10°C PS 34 bar
Marking	S19 PS45 DN15 1.0715 Production order number:-----
Dust shield cap	Incl.
Protection cap	Plastic
Coating	Fe//Cu5Sn5
Spindle position	Closed
Weight	290 g

Classification acc. PED 2014/68/EU	Article 4 (3)
Application medium	Reference acc. to EN 578-1 (2015) PED Fluid Group E
Operating conditions	Ts: -10°C ... +140°C PS 45 bar Tst: -40°C ... -10°C PS 34 bar
Marking	S19 PS45 DN15 1.0715 Production order number:-----
Dust shield cap	Incl.
Protection cap	Plastic
Coating	Fe//Cu5Sn5
Spindle position	Closed
Weight	290 g