

# Electric expansion valve

## ETS 5M (Version 2)

For liquid injection into evaporators

## Description

ETS 5M is a compact and lightweight stepper motor driven electric expansion valve with a high level of reliability, and it provides a precise solution for expansion and flow control in a wide range of refrigeration and air conditioning systems.

The portfolio is available with a wide capacity range and is designed for use with fluorinated refrigerants.

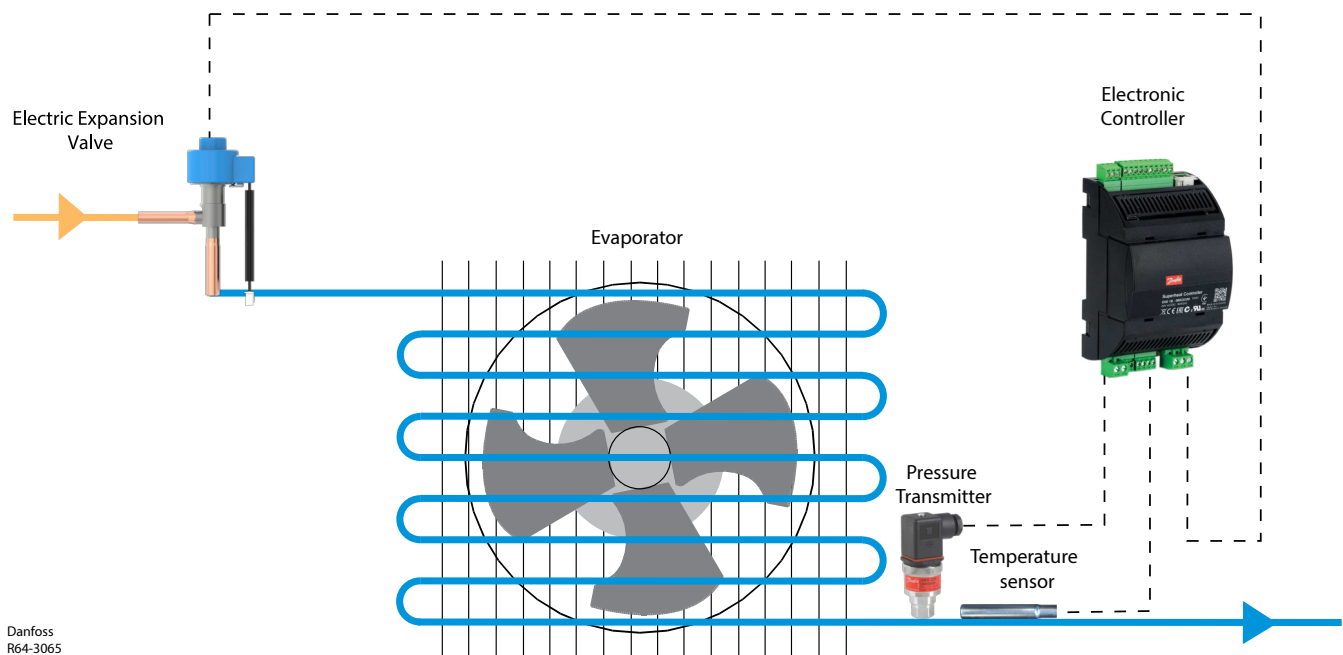
ETS 5M can be applied for applications i.e VRF, IT cooling, heat pump, mini chiller, bus/transport application in single/bi-flow operation. Valve operation is by means of a uni-polar motor, and as such it is compatible with a number of electronic controllers from Danfoss or third-party vendors. With an EKE100 series superheat controllers and AKS sensor, a superheat accuracy better than  $\pm 0.5$  K can be obtained.

## Features & benefits

- Optimized valve flow characteristic
- Accurate valve control, also at low opening degrees
- Bi-flow, with full performance in both flow directions
- High degree of freedom of installation orientation
- Future-proof regarding refrigerants
- Compatible with existing valve drivers
- Largest nominal capacity, R410A: 41.0 kW, 11.6 TR

## Applications

Figure: Typical application of ETS 5M



**NOTE:** ETS 5M 10 – 24 can be used in oil-free system but with a limited MOPD 27 bar.

## Ordering

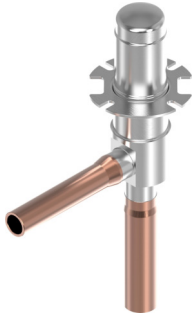

### Product code numbers

Being highly configurable, ETS 5M can be delivered with a number of different mechanical connections according to requirements. This includes design configuration shape types L, h and u. See ordering details below.

### Parts program

ETS 5M is a parts program consisting of a valve body and a separate Uni-polar/bi-polar motor coil (ETS 5M coil). Each component is purchased separately.

**Table: 5/16 inch male**

ETS 5M valve body, with L connection configuration	ETS 5M coil (stator)
	

Besides using the ETS 5M coil as spare part, ETS 5M valve is hermetic and cannot be taken apart, there are no other spare parts.

### Valve body, standard code

### Valve body ordering data

**Table: ETS 5M valve body**

Type	Design config. shape	Orifice size	Conn. type	Inlet x Outlet	Rated cap. R410A		Pack format	Qty/ pack	Code no.
		[mm]		[in]	[kW]	[TR]			
ETS 5M10	L	1.0	Solder, ODM	¼ x ¼	4.52	0.93	Multi-pack	20 pc	034G6423
ETS 5M10	L	1.0	Solder, ODM	⅝ x ⅝	4.52	0.93	Multi-pack	20 pc	034G6425
ETS 5M13	L	1.3	Solder, ODM	¼ x ¼	8.9	2.52	Multi-pack	20 pc	034G6404
ETS 5M13	L	1.3	Solder, ODM	⅝ x ⅝	8.9	2.52	Multi-pack	20 pc	034G6418
ETS 5M17	L	1.65	Solder, ODM	¼ x ¼	12.5	3.54	Multi-pack	20 pc	034G6407
ETS 5M17	L	1.65	Solder, ODM	⅝ x ⅝	12.5	3.54	Multi-pack	20 pc	034G6419
ETS 5M20	L	2.0	Solder, ODM	¼ x ¼	16.7	4.74	Multi-pack	20 pc	034G6409
ETS 5M20	L	2.0	Solder, ODM	⅝ x ⅝	16.7	4.74	Industrial pack	40 pc	034G6410
ETS 5M20	L	2.0	Solder, ODM	⅝ x ⅝	16.7	4.74	Multi-pack	20 pc	034G6411
ETS 5M24	L	2.4	Solder, ODM	¼ x ¼	20.6	5.84	Multi-pack	20 pc	034G6412
ETS 5M24	L	2.4	Solder, ODM	⅝ x ⅝	20.6	5.84	Multi-pack	20 pc	034G6420
ETS 5M25	L	2.5	Solder, ODM	⅝ x ⅝	23.5	6.68	Multi-pack	20 pc	034G6500
ETS 5M25	L	2.5	Solder, ODM	½ x ½	23.5	6.68	Multi-pack	20 pc	034G6501
ETS 5M30	L	3.0	Solder, ODM	⅝ x ⅝	32.5	9.24	Multi-pack	20 pc	034G6502
ETS 5M30	L	3.0	Solder, ODM	½ x ½	32.5	9.24	Multi-pack	20 pc	034G6503
ETS 5M35	L	3.5	Solder, ODM	⅝ x ⅝	36.0	10.24	Multi-pack	20 pc	034G6504
ETS 5M35	L	3.5	Solder, ODM	½ x ½	36.0	10.24	Multi-pack	20 pc	034G6505
ETS 5M40	L	4.0	Solder, ODM	⅝ x ⅝	41.0	11.66	Multi-pack	20 pc	034G6506
ETS 5M40	L	4.0	Solder, ODM	½ x ½	41.0	11.66	Multi-pack	20 pc	034G6507



**NOTE:**

The rated capacity is based on:

- Refrigerant: R410A
- Evaporating temperature:  $T_e = 5\text{ °C}$
- Condensing temperature:  $T_c = 38\text{ °C}$
- Refrigerant temperature ahead of valve:
  - $T_{\text{liquid}} = 34\text{ °C}$
  - Subcooling = 4K
  - Superheat = 0K
  - Driving steps = 480 steps



**Valve sizing using calculation software**

It is strongly recommended to use Coolselector<sup>®2</sup> to find the correct valve for your application. The software can be downloaded from the Danfoss website. You can download it from <http://coolselector.danfoss.com>

## ETS 5M coil

Coils for ETS 5M are dedicated for the product.


**Table: Coils for ETS 5M**

Type	Cable length		Electrical connector	Pack format	Qty/pack	Code no.
	[m]	[in]				
ETS 5M	0.7	27.56	Uni-polar JST XHP-5	Multi pack	20	034G3853
ETS 5M	0.7	27.56	Uni-polar JST XHP-5	Industrial pack	40	034G3854
ETS 5M	0.7	27.56	Uni-polar JST XHP-6	Industrial pack	40	034G3858
ETS 5M	1	39.37	Uni-polar JST XHP-6	Multi pack	20	034G3852
ETS 5M	1	39.37	Uni-polar JST XHP-5	Industrial pack	40	034G3871
ETS 5M	1.5	59.06	Uni-polar JST XHP-5	Multi pack	20	034G3850
ETS 5M	1.7	66.93	Uni-polar JST XHP-6	Industrial pack	40	034G3859
ETS 5M	2	78.74	Uni-polar JST XHP-5	Industrial pack	24	034G3867
ETS 5M	2.7	106.30	Uni-polar JST XHP-5	Multi pack	20	034G3851
ETS 5M	2.7	106.30	Uni-polar JST XHP-6	Industrial pack	24	034G3855
ETS 5M	2.7	106.30	Uni-polar JST XHP-6	Multi pack	20	034G3856
ETS 5M	4	157.48	Uni-polar JST XHP-5	Industrial pack	24	034G3869
ETS 5M	4	157.48	Uni-polar JST XHP-6	Industrial pack	24	034G3870
ETS 5M	1	39.37	Bi-polar SUPU MC	Industrial pack	40	034G3860
ETS 5M	1.5	59.06	Bi-polar SUPU MC	Industrial pack	40	034G3861
ETS 5M	2	78.74	Bi-polar SUPU MC	Industrial pack	24	034G3862
ETS 5M	2.7	106.30	Bi-polar SUPU MC	Industrial pack	24	034G3863
ETS 5M	4	157.48	Bi-polar SUPU MC	Industrial pack	24	034G3868
ETS5M	1	39.37	Bi-polar SUPU MC	Multi pack	20	034G3872
ETS5M	1.5	59.06	Bi-polar SUPU MC	Multi pack	20	034G3873
ETS5M	2	78.74	Bi-polar SUPU MC	Multi pack	20	034G3874
ETS5M	2.7	106.3	Bi-polar SUPU MC	Multi pack	20	034G3875
ETS 5M	1	39.37	Uni-polar JST XHP-6 (Reverse)	Industrial pack	40	034G3866
ETS 5M	1.5	59.06	Uni-polar JST XHP-6 (Reverse)	Industrial pack	40	034G3864
ETS 5M	2.7	106.30	Uni-polar JST XHP-6 (Reverse)	Industrial pack	24	034G3865

## Accessories code numbers

### Tools for ETS 5M service

Table: ETS 5M

Image	Accessory	Code no.
	Manual coil	034G3803

## Overview

### Product portfolio

ETS 5M is a system product whose function is controlled through a Danfoss electronic controller, or a third party vendor electronic controller that is compatible with the ETS 5M as to control functionality and connections.

Danfoss recommends the use of the EKE 100 series superheat controller together with ETS 5M. With EKE 100 series or EKE 110 for injection controller, a superheat accuracy better than 0.5 K can be obtained.

The electronic controller requires precise temperature input from a temperature sensor (refrigerant temperature) and precise pressure inputs (evaporator pressure) from a pressure transmitter.




### System product

Figure: EKE 100 superheat controllers



EKE superheat controllers are for DIN rail mounting and comes in three versions with different combinations of inputs and output relays and different functionality.

Table: Sensors and other products for ETS 5M

Pressure transmitter (DST P110 shown)	EKF 1A/2A stepper valve driver	EKE 2U backup power module
		
<p>DST P110 is a digital ratiometric pressure transmitter. Depending on controller type, other ratiometric pressure transmitters can be used as well (e.g. AKS 32R).</p>	<p>EKF series is an economical stepper valve driver that translates analog signal provided by master controller to valve driving sequence.</p>	<p>EKE 2U backup power module ensures sufficient power in case of power failures to the controller to ensure closure of the electronic valves.</p>



## Product identification

### Valve body identification

Relevant product data is available on the box label and product label. On the product, information is laser engraved in 3 different fields on the steel valve body (not shown).

#### Figure: Box label, ETS 5M valve body

Electric exp. valve



MADE IN CHINA

ETS 5M13L  
**034G6404**



Vol.:284x200x110mm  
Danfoss A/S, 6430 Nordborg, Denmark


BE1925C 

### ETS 5M Coil identification

Relevant product data is available on the box label and product label.

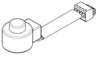
#### Figure: Box label

Elec. expansion valve coil




MADE IN CHINA

ETS 5M  
**034G3868**



4.00m / 157.48in  
MC-RA3.5H04C-0001  
Rated voltage:12V

Danfoss A/S, 6430 Nordborg, Denmark

BE1925C 

#### Figure: Product label



## Media

### Refrigerants

ETS 5M is designed for use with various refrigerants with suitable lubricants.

**Table: ETS 5M media data**

Media data	Value
Refrigerants	R410A, R32 R290, R22, R454C, R515B, R1234ze, R452B, R1234yf, R452A, R454B, R454A, R455A, R449A, R407C, R134a, R407H, R513A, R449B, R404A, R448A, R463A
Refrigerants oil	POE, PVE, PAG, MO

**Note:**

For flammable refrigerants (R454C, R454A, R1234ze, R290, R32, R452B, R454B, R455A, R1234yf):

- This product is validated in accordance to ATEX, EN 378, ISO 5149, ASHRAE 15, IEC 60335-2-x or equivalent standards.
- Ignition risk is evaluated in accordance to ISO 5149 and IEC 60335.
- See safety note below.

**Note:**

- The product can be applied on systems with R454C, R454A, R1234ze, R290, R32, R452B, R454B, R455A, R1234yf as the working fluid.
- For countries where safety standards are not an indispensable part of the safety system Danfoss recommend the installer to get a third-party approval of the system containing flammable refrigerant.
- Please follow specific selection criteria stated in the datasheet for these particular refrigerants.
- The valve must only be used in closed circuit refrigeration system, where no oxygen is present acc. EN 378, ISO 5149 ASHRAE 15 or IEC 60335-2-x or equivalent standards.

## Product details

### Design

The ETS 5M Electric expansion valves open and close to regulate refrigerant flow by means of a screw, whose rotating motion is transformed into linear motion. This occurs by the rotation of a magnet needle valve assembly which moves when electrical signals are applied to the surrounding coil. Within the coil structure, there are different winding configurations, and the polarities are changed by the electrical signals.

By application of the appropriate combination of signals, in the form of pulses, the coil forces the rotor of the valve to move in a stepwise fashion. Application of multiple pulses will make the valve mechanism move through a series of steps in the chosen direction, in order to set the valve with the required opening degree.

### Pressure and temperature data

**Table: Pressure and temperature data in SI and Imperial units**

Data		Value [SI units]	Value [IMP. units]
Max. working pressure (MWP)		49 barg	770 psig
Burst pressure		5 x MWP	5 x MWP
Maximum operating pressure differential (MOPD) <sup>(1)</sup>	ETS 5M 10 – 24	A->B 35 barg B->A 35 barg	A->B 508 Psig B->A 508 Psig
	ETS 5M 25 – 40	A->B 42 barg B->A 42 barg	A->B 609 Psig B->A 609 Psig
Ambient temperature		-40 – 70 °C	-40 – 158 °F
Ambient relative humidity		Max. 95% RH	Max. 95% RH
Fluid temperature range		-40 – 80 °C	-40 – 176 °F

<sup>(1)</sup> A = Valve outlet, B = Valve inlet

## Performance and environmental conditions

**Table: Environmental conditions**

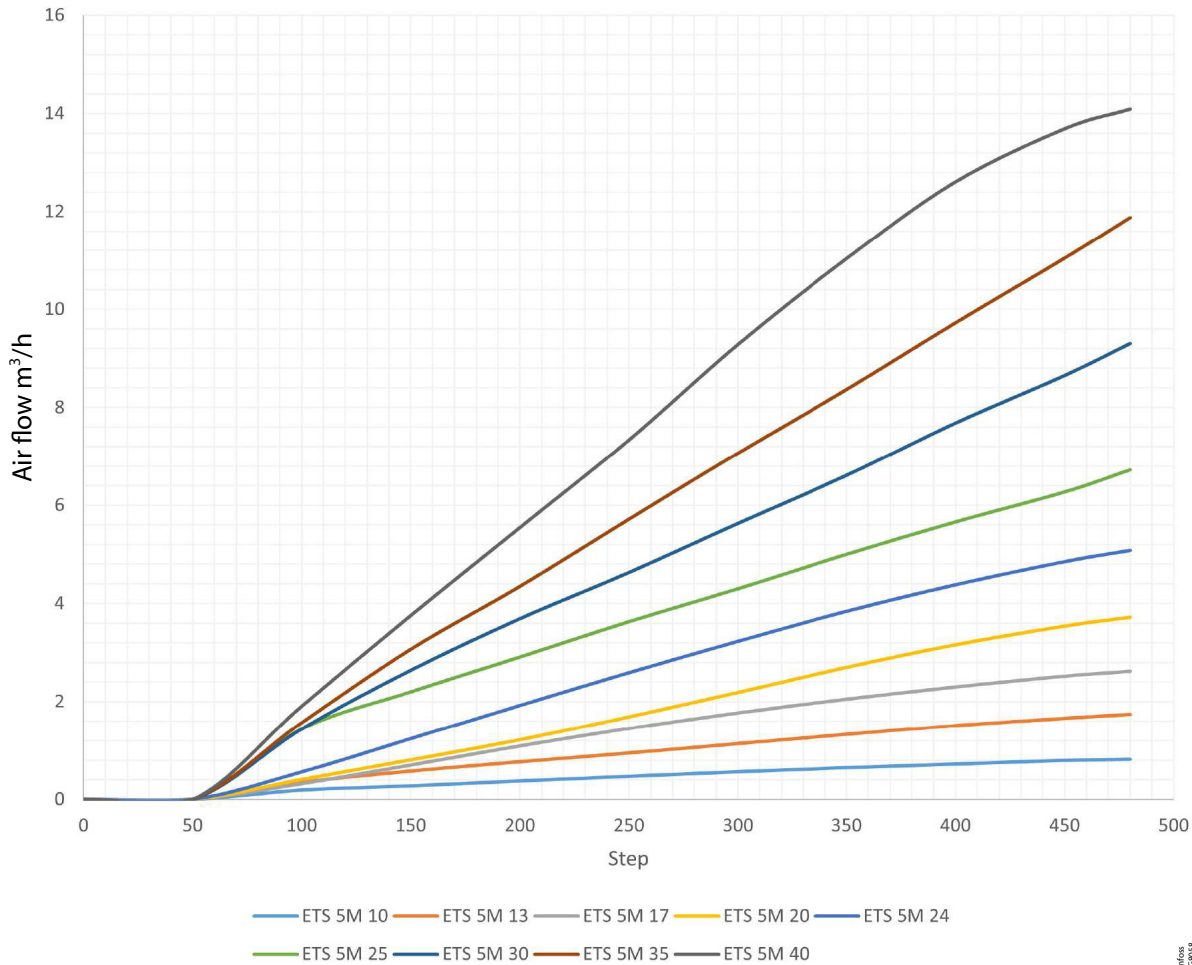
Environmental conditions	Value	
Max. Internal leakage @10 bar, A → B and B → A <sup>(1)</sup>	ETS 5M 13 – 24	< 150 cm <sup>3</sup> /min
	ETS 5M 25 – 40	< 500 cm <sup>3</sup> /min
Mechanical noise	< 60 dB(A)	
Enclosure rating IP (Valve and coil combined)	IP67	
Insulation class	B	
Insulation resistance	>100 MΩ	
Storage temperature range	-30 – 70 °C / -22 – 158 °F	
Relative humidity	Max. 95% RH	

<sup>(1)</sup> A = Valve outlet, B = Valve inlet

## Flow characteristics

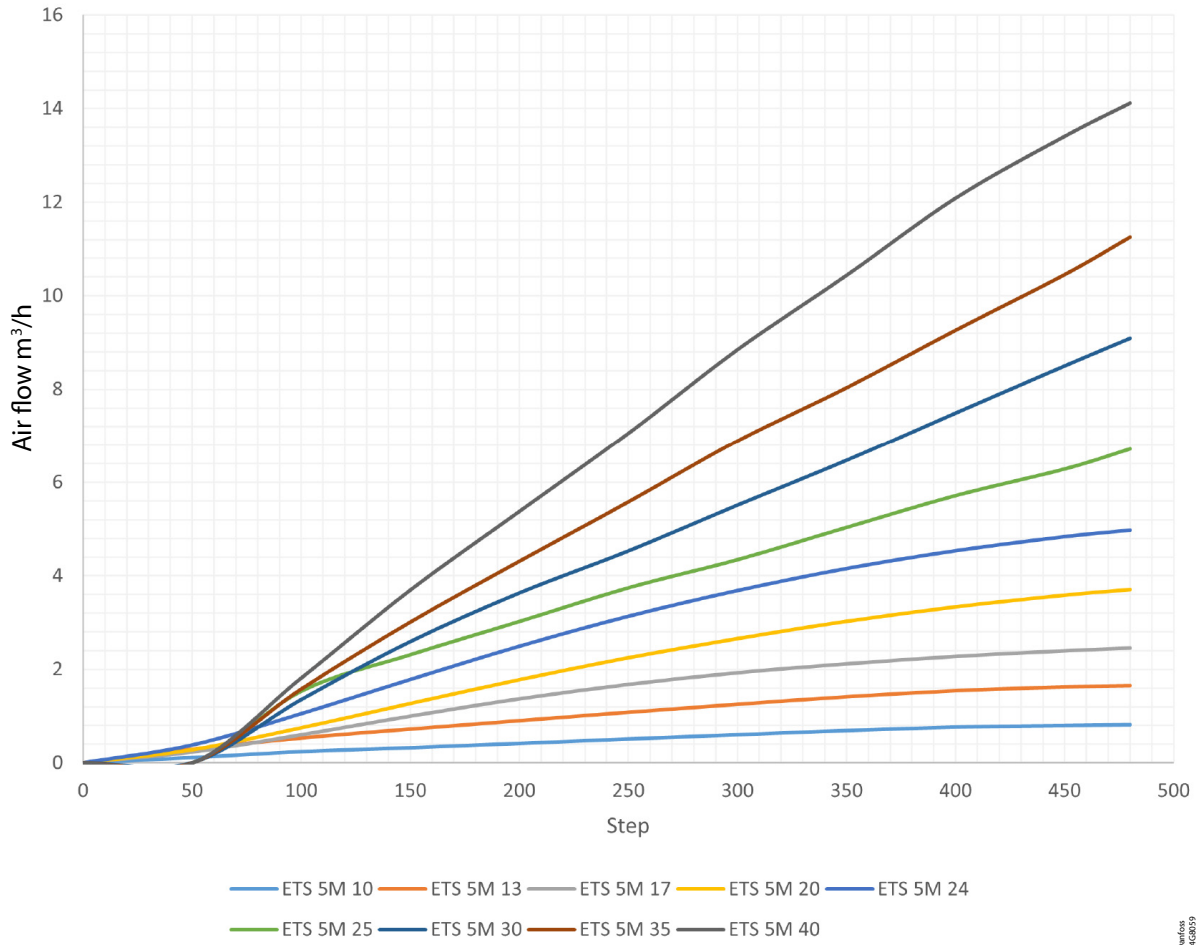
Air flow characteristics are provided for ETS 5M with normal and reverse flows.

**Figure: Air flow - Normal flow B → A**



Danfoss  
34C08018

**Figure: Air flow - Reverse flow A → B**



**Flow characteristics**

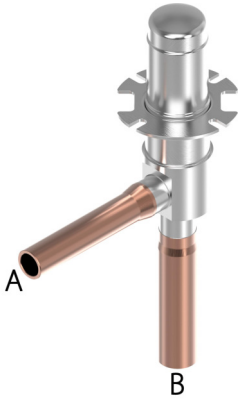
- Measured at 1 barg differential pressure.
- Air flow provided in m<sup>3</sup>/hour (Y axis).
- Valve position provided by pulses in half steps (X axis).

Danfoss 34182059

**Mechanical configuration options**

ETS 5M is an angle way valve designed with a valve body in steel and ODM or ODF solder connections in stainless steel with copper plating, with inlet and outlet sizes ¼ in, 5/16 in or ½ in.

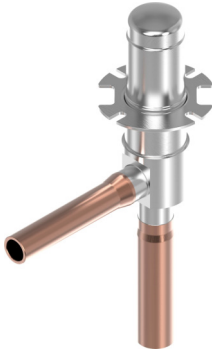
**Figure: ETS SM inlet and outlet configuration**



A	Inlet
B	Outlet

The copper connections are highly configurable and can be produced with the following shapes.

**Table: Connection configuration**

Shape L		
		
¼ in	5/16 in	½ in
ODM	ODM	ODM

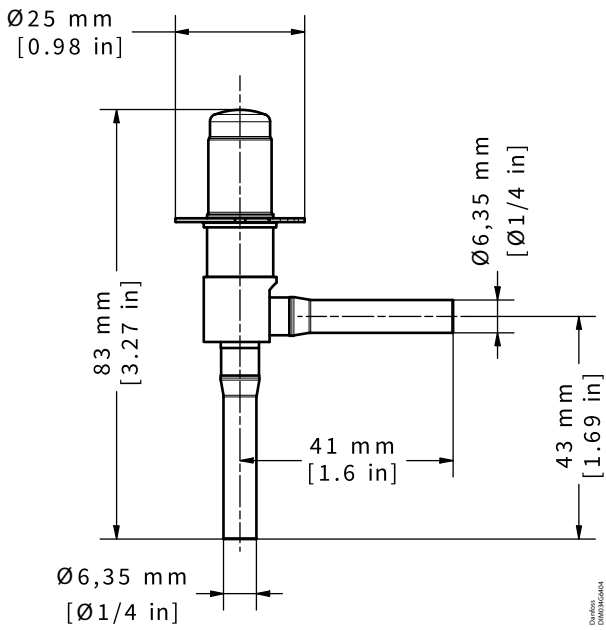
**NOTE:** Not all combinations of sizes and configurations are available. The table shows currently available configurations.

**Mechanical configuration options**

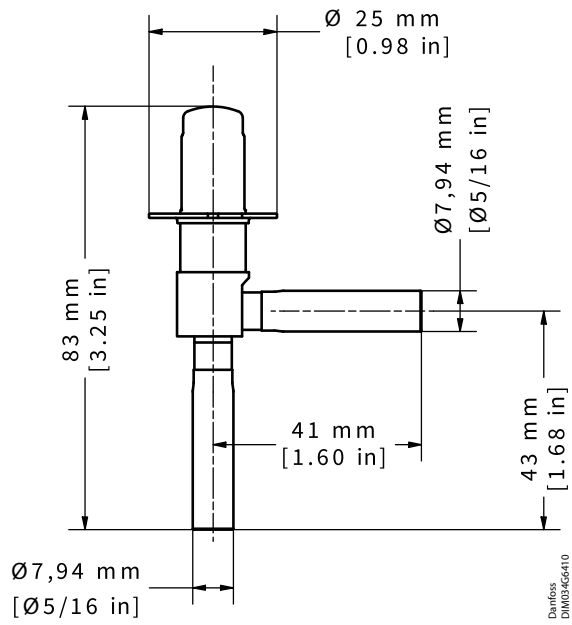
**L Shape:** ODM with straight connectors

## Dimensions

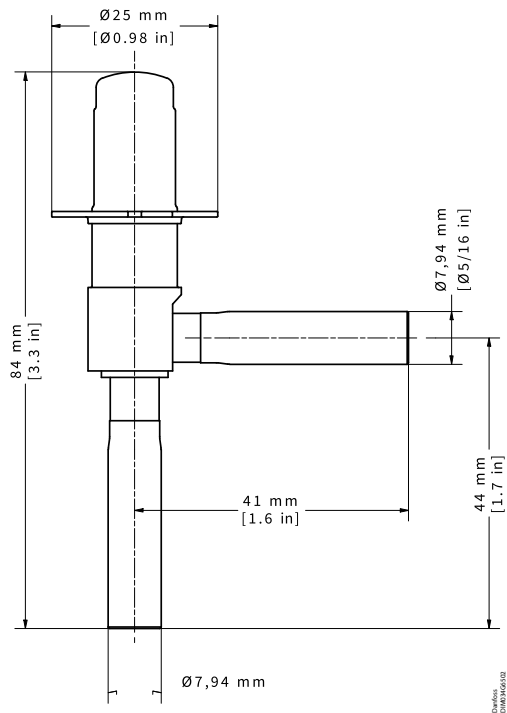
**Table: ETS 5M 10 – 24 1/4 inch male**



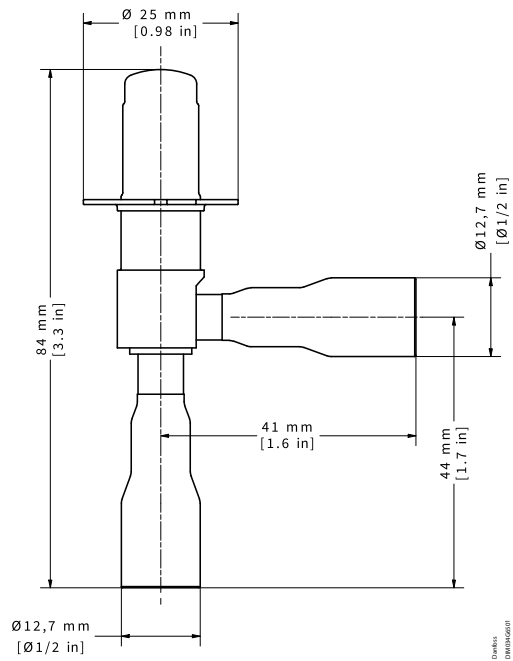
**Table: ETS 5M 10 – 24 5/16 inch male**



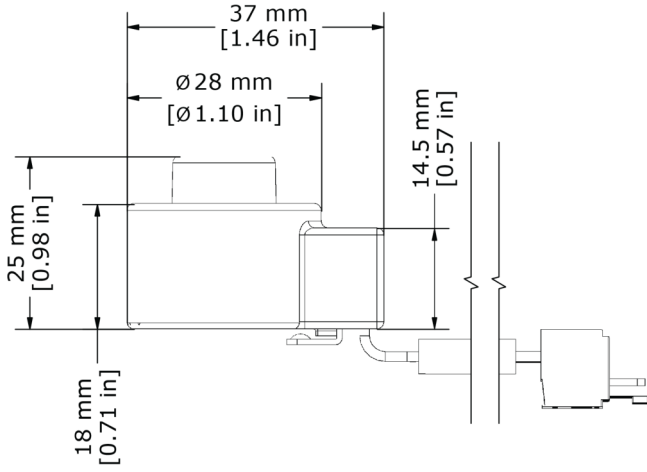
**Table: ETS 5M 25 – 40 5/16 inch male**



**Table: ETS 5M 25 – 40 1/2 inch male**



**Figure: ETS 5M coil dimensions**

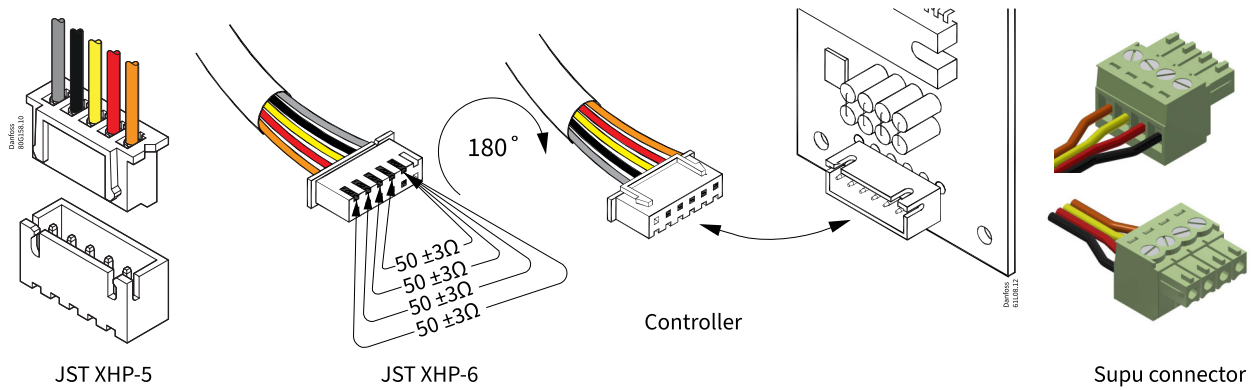


## Connections

### Electrical connection

Electrical connection is via a fixed cable in a number of lengths from the coil to the controller. Cables up to 4 m length are available with a JST XHP-5 / JST-XHP6 / SUPU connector. See ETS 5M coil [Ordering](#) for details.

**Figure: Electrical wiring**



### Electrical and motor specifications

Valve operation is by means of a uni-polar/bi-polar motor, designed as a separate coil that clicks onto the valve body.

**Table: Electrical and motor specifications**

Electrical and motor specifications	Value
Motor type	Uni/bi-polar coil
Nominal voltage	12 V +10% / -15%
Coil resistance at 20 °C	50 Ω ±6%
RMS per phase	185 mA
Power consumption	5 W
Holding current after each sequence of steps	Min. 30 ms, max. 1 s
Permanent holding current	Not allowed
Recommended excitation method Possible, but not recommended excitation method	1 – 2 2 – 2
Number of pulses	480 half-step pulse (Don't over drive to more than 480 steps when open the valve)
Nominal pulse rate	31 pulses per second (PPS)
Maximum duty cycle 30 s	50%
Insulation resistance	> 100 MΩ
Dielectric strength	< 5 mA



### Stepper motor switch sequence

**Table: Unipolar motor excitation sequence**

Coil	Wire	Excitation sequence							
		1	2	3	4	5	6	7	8
A1	Orange	ON	ON	OFF	OFF	OFF	OFF	OFF	ON
B1	Red	OFF	ON	ON	ON	OFF	OFF	OFF	OFF
A2	Yellow	OFF	OFF	OFF	ON	ON	ON	OFF	OFF
B2	Black	OFF	OFF	OFF	OFF	OFF	ON	ON	ON
COM	Grey	ON	ON	ON	ON	ON	ON	ON	ON

**Table: Bipolar motor excitation sequence**

Coil	Wire	Excitation sequence							
		1	2	3	4	5	6	7	8
A1	Orange	-	-	OFF	+	+	+	OFF	-
A2	Yellow	+	+	OFF	-	-	-	OFF	+
B1	Red	OFF	-	-	-	OFF	+	+	+
B2	Black	OFF	+	+	+	OFF	-	-	-




## Certificates, declarations and approvals

The list contains all certificates, declarations, and approvals for this product type. Individual code number may have some or all of these approvals, and certain local approvals may not appear on the list.

When you click on the link you will be directed to the latest version of the 'Declaration of Conformity'. Products developed and sold before this date of issue conform to the directives/standards in force at the time of their sale.

Approval type	Title	Certification body	Approval topic
Manufacturer's Declaration	<a href="#">Danfoss MD 034G9616.AB</a>	Danfoss	PED, EU RoHS
Export Control Declaration	<a href="#">Electronic expansion Valve &amp; Coil</a>	Danfoss	
Electrical Safety Certificate	<a href="#">Certificate UL-US-2598926-0</a>	UL - Underwriters Laboratories inc.	UL-CSA
Manufacturer's Declaration	<a href="#">Danfoss MD 033F4006 AC</a>	Danfoss	China RoHS
Electrical Safety Certificate	<a href="#">CQC 21002287020</a>	CQC - China Quality Certification Centre	
Pressure Safety Certificate	<a href="#">LLC CDC EURO-TYSK</a> <a href="#">UA.TR.089.1015.02-22</a>	LLC CDC EURO TYSK - Ukraine	PED, Pressure
UA Declaration	<a href="#">Danfoss UA 2023-01-10 Valves</a> <a href="#">PL01 PL40</a>	Danfoss	PED, Pressure

**Table: Compliance table ETS 5M**

	Pressure Equipment Directive
<b>RoHS</b>	Restriction of Hazardous Substances
	Registration, Evaluation, Authorisation and Restriction of Chemicals
	CQC Approved
	UL Approved

## Contact details

### Online support

Danfoss offers a wide range of support along with our products, including digital information, software, mobile apps and expert guidance. See the possibilities below.



#### The Danfoss Design center

Discover the Design Center, our advanced digital platform that streamlines product selection. With integrated tools and enhanced type pages, it's simpler than ever to access product information and documentation, and to select the right products. Check the availability of Danfoss products at partner locations and enjoy seamless transitions from selection to purchase with our basket-to-basket functionality. Whether you're buying from our distributors or directly from the Product Store, the Design Center simplifies your experience. Learn more at: [designcenter.danfoss.com](https://designcenter.danfoss.com).



#### The Danfoss product store

The Danfoss Product Store is a one-stop shop available 24/7 for our customers, no matter where you are in the world or what area of industry you work in. Browse our catalog, check product details and documentation, view your prices and product availability, and quickly finalize your purchase. Start browsing at: [store.danfoss.com](https://store.danfoss.com).



#### Danfoss Partner Portal/Product Data tool

Designed to support you with easy access to product data extracts, essential resources, tools, and information. The Partner Portal provides a centralized hub for product documentation, training materials, marketing assets, and technical support, ensuring you have everything you need to succeed and grow your business with Danfoss. The Partner Portal is available 24/7 at: [partner.danfoss.com](https://partner.danfoss.com) and is ready to support your business.



#### Find technical documentation

Find technical documentation you need to get your project up running. Get direct access to our official collection of data sheets, certificates and declarations, manuals and guides, 3D models and drawings, case stories, brochures, and much more. Start searching now at: [documentation.danfoss.com](https://documentation.danfoss.com).



#### Danfoss Learning

Danfoss Learning is a free online learning platform. It features courses and materials specifically designed to help engineers, installers, service technicians, and wholesalers better understand the products, applications industry topics, and trends that will help you do your job better. Find your local Danfoss website here: [learning.danfoss.com](https://learning.danfoss.com).



#### Get local information and support

Local Danfoss websites are the main sources for help and information about our company and products. Find product availability, get the latest regional news, or connect with a nearby expert - all in your own language. Find your local Danfoss website here: [danfoss.com](https://danfoss.com).

#### Danfoss A/S

Climate Solutions . danfoss.com . +45 7488 2222

---

Any information, including, but not limited to information on selection of product, its application or use, product design, weight, dimensions, capacity or any other technical data in product manuals, catalogues description, advertisements, etc. and whether made available in writing, orally, electronically, online or via download, shall be considered informative, and is only binding if and to the extent, explicit reference is made in a quotation or order confirmation. Danfoss cannot accept any responsibility for possible errors in catalogues, brochures, videos and other material. Danfoss reserves the right to alter its products without notice. This also applies to products ordered but not delivered provided that such alterations can be made without changes to form, fit or function of the products. All trademarks in this material are property of Danfoss A/S or Danfoss group companies. Danfoss and the Danfoss logo are trademarks of Danfoss A/S. All rights reserved.

---