



Data sheet

Hydraulic data

Maximum operating pressure P_N	3 bar
Discharge port	G 1½
Free ball passage of the hydraulics	20 mm
Impeller type	Vortex impeller
Max. immersion depth	5 m
Optimal delivery head H_{opt}	635.9 kPa
Optimal volume flow Q_{opt}	10.27 m³/h
Min. fluid temperature T_{min}	5 °C
Max. fluid temperature T_{max}	35 °C
Min. ambient temperature T_{min}	3 °C
Max. ambient temperature T_{max}	35 °C

Motor data

Mains connection	1~230 V, 50 Hz
Voltage tolerance	±10 %
Rated power P_2	0.65 kW
Power consumption $P_{1 max}$	900 W
Rated current I_N	4.5 A
Starting current I	0 A
Rated speed n	2900 1/min
Activation type	Direct On Line (DOL)
Number of poles	2
Max. switching frequency t	60 1/h
Insulation class	F
Protection class motor	IP68
Motor design	Submersible motor - surface-cooled
Operating mode (immersed)	S1
Operating mode (non-immersed)	S3-25%

Cable

Connection cable length L	10 m
Cable type	H07RN-F
Cable cross-section	3G1 mm²
Mains plug	CEE 7/7 (Schuko)
Type of connection cable	Non-detachable

Equipment/function

Float switch	yes
Explosion protection type	-
Motor protection	Auto reset
Motor, leakage detection	no
Sealing chamber, leakage detection	no
Leakage chamber, leakage detection	no

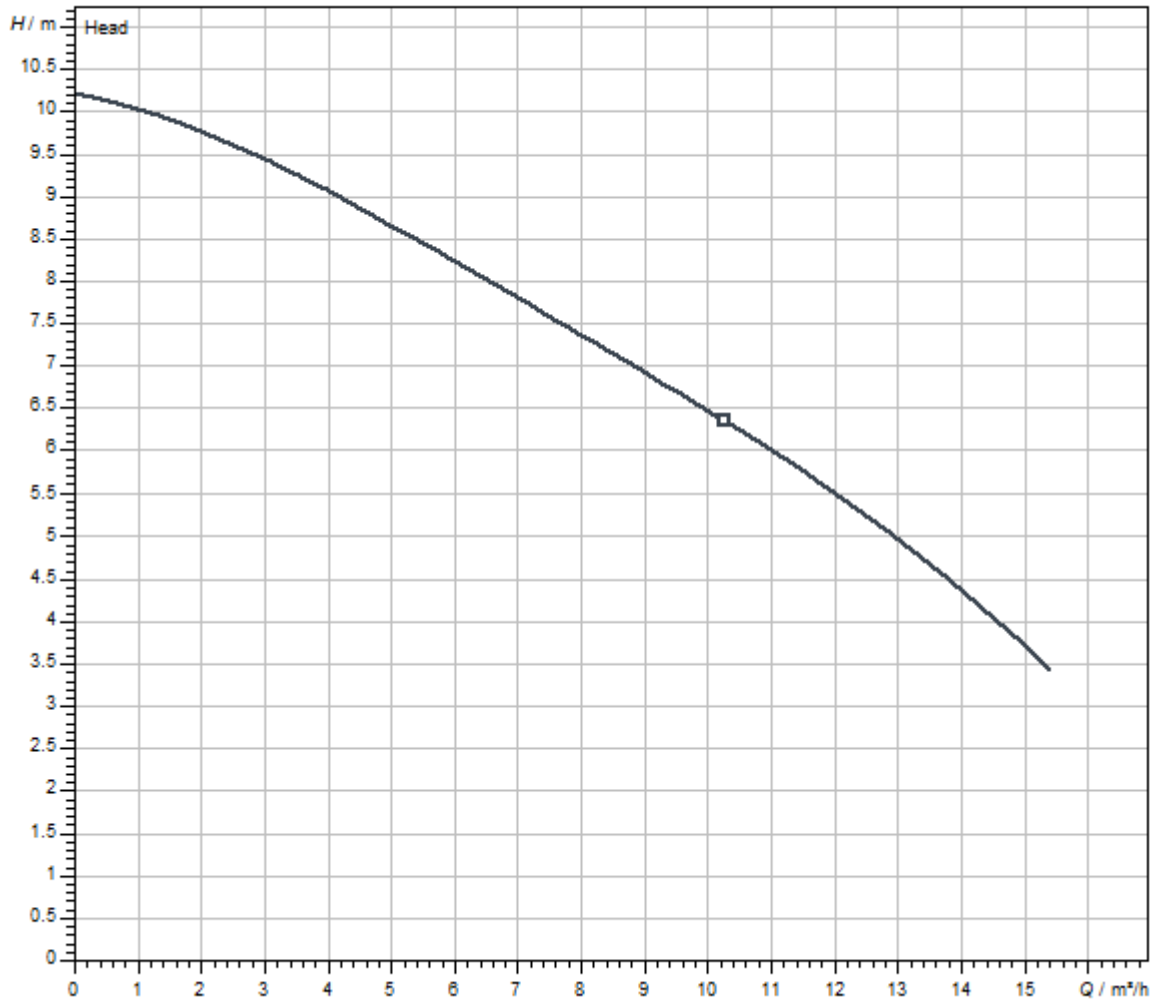
Materials

Pump housing	PP
Impeller	PA6-GF30
Shaft	Stainless steel
Sealing on pump side	NBR
Gasket material	NBR
Motor housing	Steel

Installation dimensions

Pipe connection on the suction side <i>DN_s</i>	-
Pipe connection on the discharge side <i>DN_d</i>	G 1½

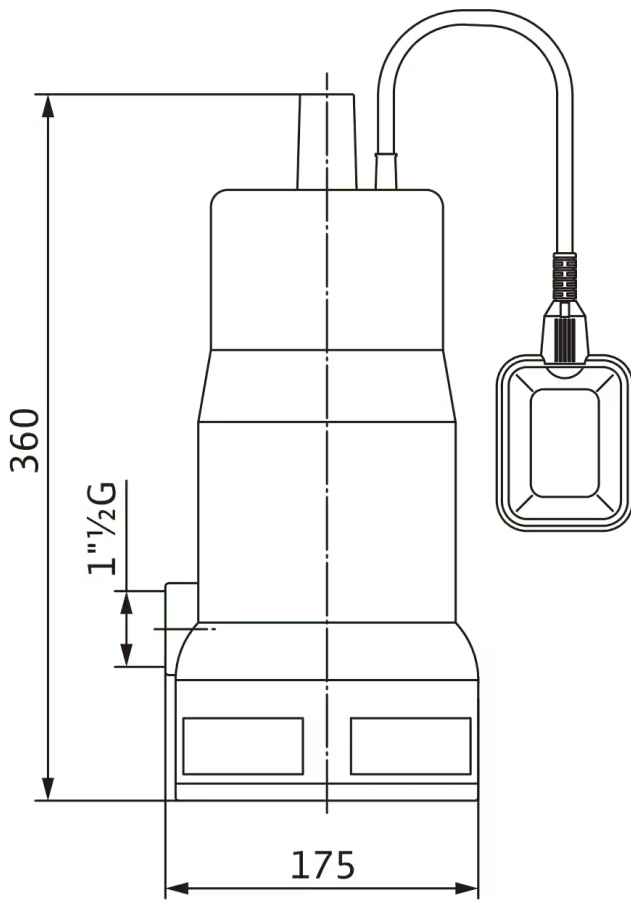
Pump curves



Fluid media	Water 100 %
Fluid temperature <i>T</i>	20.00 °C
speed at duty point <i>n hydr. @ OP</i>	2,900 1/min

Dimensions and dimensions drawings

Wilo-INITIAL WASTE 14-9



Tender text

Submersible pump for fully automatic operation in portable wet well installation.

For the pumping in domestic areas of:

- > Sewage not containing faeces
- > Wastewater (with small amounts of sand and gravel)

Operating Data

Product data

Impeller type	Vortex impeller
Free ball passage of the hydraulics	20 mm
Maximum operating pressure P_N	3 bar
Max. immersion depth	5 m
Fluid temperature T	5 °C

Motor data

Motor design	Submersible motor – surface-cooled
Mains connection	1~230 V, 50 Hz
Voltage tolerance	±10 %
Rated power P_2	0.65 kW
Power consumption $P_{1 \max}$	0.90 kW
Rated current I_N	4.5 A
Starting current I	0 A
Activation type	Direct On Line (DOL)
Number of poles	2
Rated speed n	2900 1/min
Max. switching frequency t	60 1/h
Insulation class	F
Protection class	IP68
Operating mode (immersed)	S1
Operating mode (non-immersed)	S3-25%

Sewage pump with vortex impeller and vertical threaded connection. Pump housing and impeller made of composite material. 1~ motor with integrated operating capacitor, self-switching thermal motor monitoring, and basic sealing with a rotary shaft seal. Motor housing made of steel. Connection cable with float switch and fitted plug (CEE 7/7).

Cable

Connection cable length L	10 m
Cable type	H07RN-F
Cable cross-section	3G1 mm ²
Mains plug	CEE 7/7 (Schuko)
Type of connection cable	Non-detachable

Equipment/function

Float switch	yes
Explosion protection type	-
Motor protection	Auto reset Bimetall
Motor, leakage detection	no
Sealing chamber, leakage detection	no
Leakage chamber, leakage detection	no

Materials

Pump housing	PP
Impeller	PA6-GF30
Shaft	Stainless steel
Sealing on pump side	NBR
Gasket material	NBR
Motor housing	Steel

Installation dimensions

Pipe connection on the suction side D_Ns	-
Pipe connection on the discharge side D_Nd	G 1½

Ordering information

Brand	Wilo
Product description	Initial WASTE 14-9
Net weight, approx. <i>m</i>	6 kg
Article number	4168022 