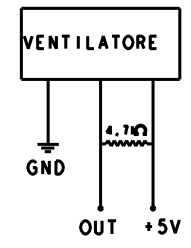
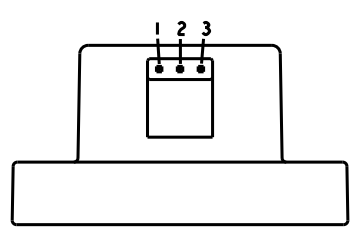
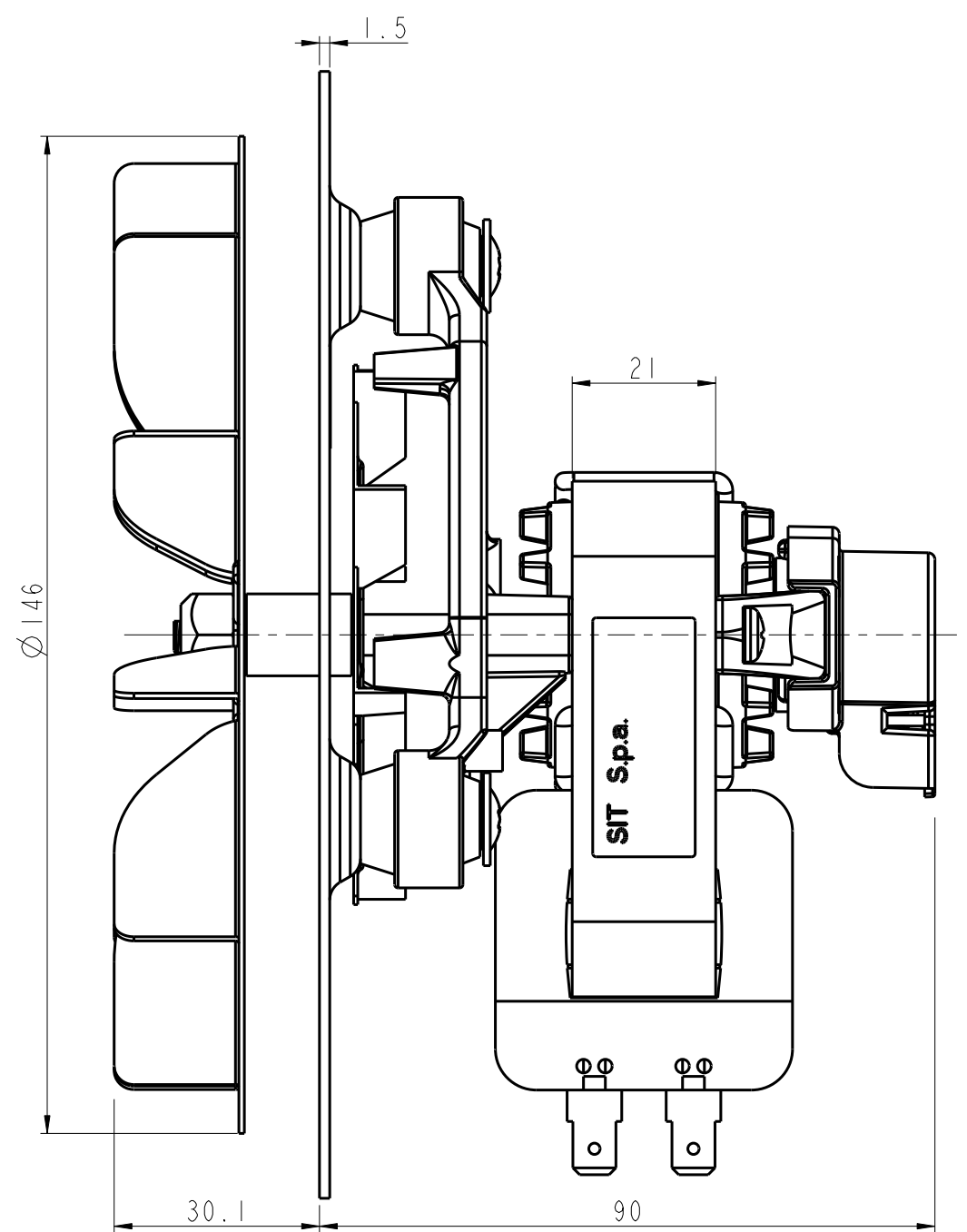
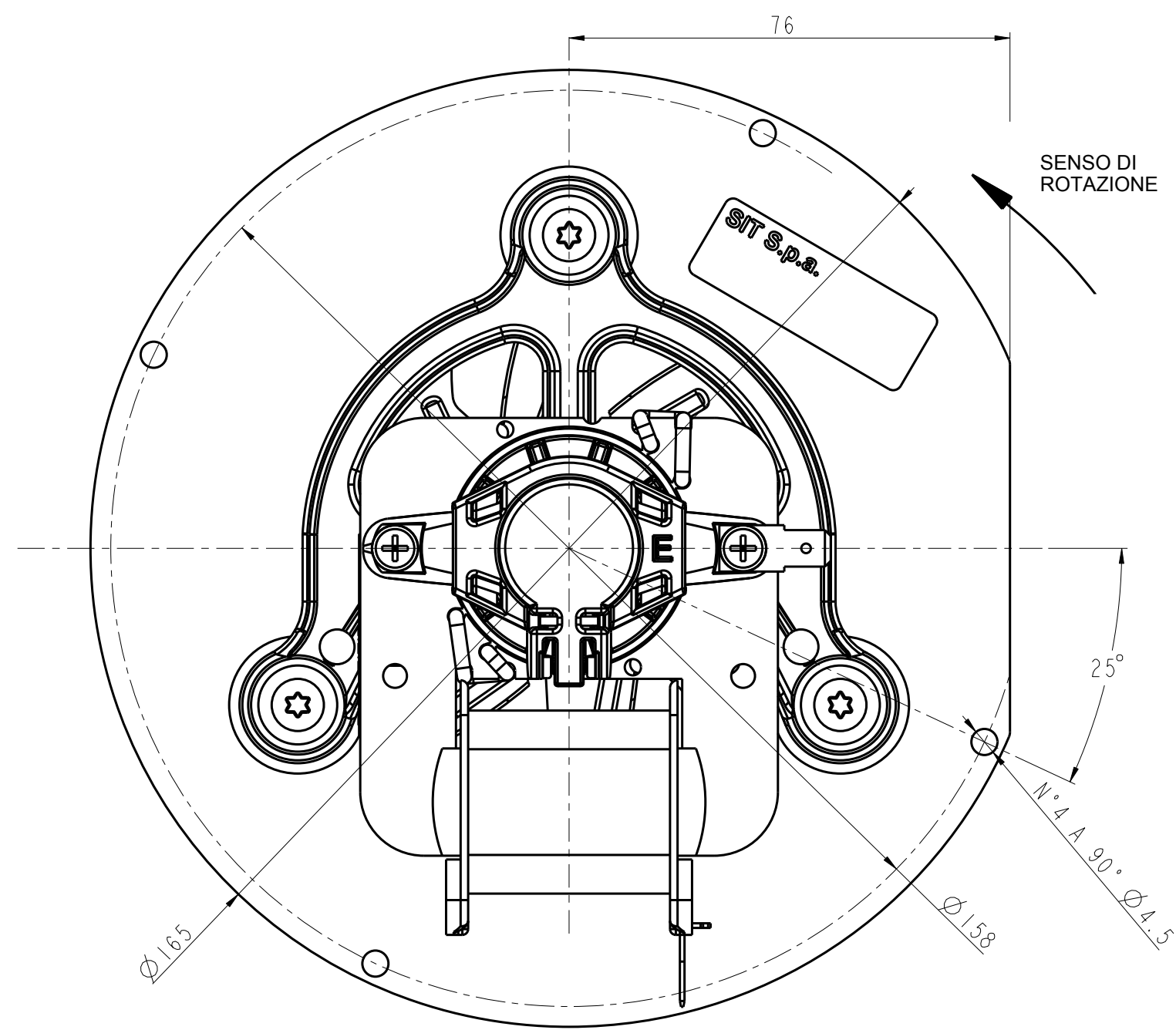


1 2 3 4 5 6 7 8

DIMENSIONS BETWEEN [...] ARE IN INCHES
ALL DIMENSIONS ARE INDICATIVE

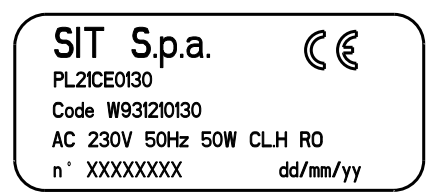


OUT = PIN 1
GND = PIN 2
+5V = PIN 3

SCHEMA COLLEGAMENTO SENSORE HALL

N.B.: utilizzare connettore MOLEX cod. 0010112034
con puntalino cod. 008500004.

PARTICOLARE ETICHETTA



DRW FILE NAME
D931210130A

DRW REV. DRW VER.
A 0

Rev.	IM.-N°	Date	Description	Name

Drawn	18/06/2020	Description	GRUPPO PL21CE0130 220240V 50HZ	Customer	
Date		Technical Information		Ra	General Roughness
		Material		Scale	ISO
		Material Condition		1:1	
		Heat Treatment		Replaces Dwg N°	
		Surface Treatment		Customer Drawing	Sheet 1/1
		Sealing Surface	-----	Code	W931210130
		Surface Hardness		Frm.	A3

This drawing may not be copied or disclosed to third person without permission of SIT. We are the owner of this drawing.
SIT S.p.A.
35129 Padova (Italy) Viale dell'Industria 31/33