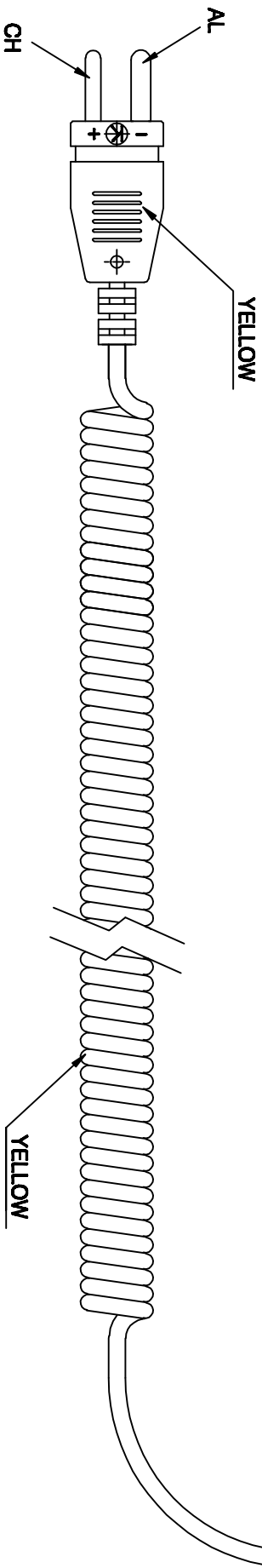
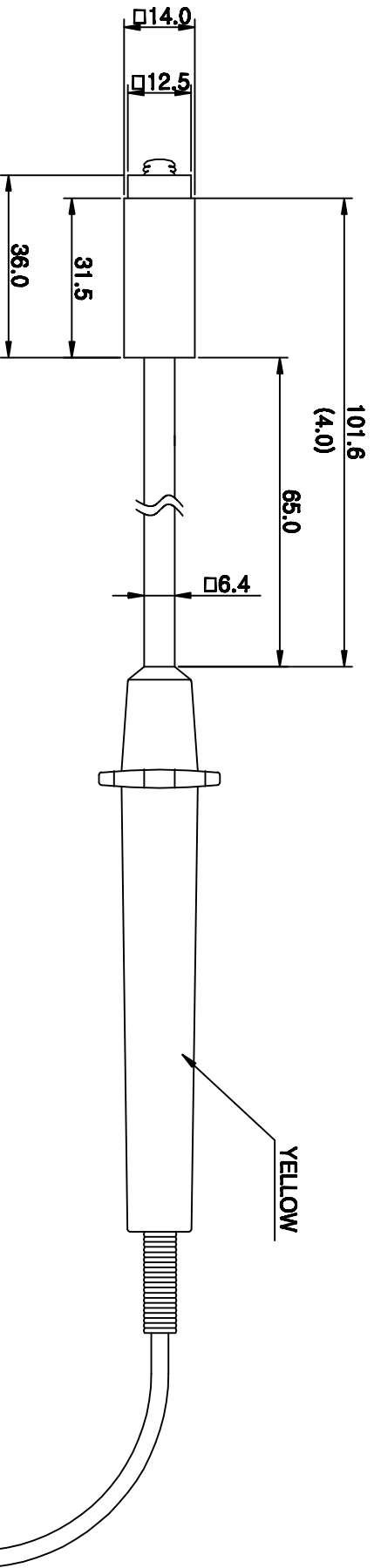


TYPE	SENSOR	CONNECTOR	RANGE	STEM LENGTH	DIAMETER	LEAD LENGTH	MATERIAL
CONTACT(SURFACE)	K-TYPE	SUB-MINI	-50C TO 650C	4 inch	6.4mm/m	1 meter	CH(+), AL(-)



mm  
(inch)

BUYER	SUMMIT	3rd ANGLE PROJECTION		UNIT	mm	TOLERANCE	±0.1	SCALE	N / S	MATERIAL
MODEL	STP162	DRAWN BY	CHECKED BY	APPROVED BY	NAME	SENSOR PROBE				
		M-S-HUR								
		1998.09.18			DWG No.	STP162-00-00				

SUMMIT CO., LTD