

Data sheets

UL Semi-hermetic reciprocating compressors > UL Standard series / for HFC-HCFC-HFO Blends

Technical data:		
Cylinders	#	4
Displacement @ 60 Hz	m3/h [60Hz]	100.57
Motor version[1]		1
Nominal Motor power (HP)		30
Nominal Motor power (kW)		22
Motor voltage at 60 Hz[2]	V/ph/Hz	440-480V/3/60Hz PWS
Bridges for DOL start		Standard
CC Head capacity control steps	%	100%-50%
RSH Head capacity control steps	%	100%-75%
Capacity control: CC + RSH	%	100%-75%-50%-25%
Frequency min	Hz	30
Frequency max[3]	Hz	70
Electric terminal box class protection		IP65
Maximum pressure HP	bar	30
Maximum pressure LP	bar	20.5
Oil type[4]		POE68
Oil charge (3/4 of sight glass)	l	4
Lubrication type		Oil pump
Suction valve (SV)	inch	2 1/8
Discharge valve (DV)	inch	1 3/8
Net weight	kg	187
Max Length	mm	703
Max Width	mm	460
Max Height	mm	463
Rubber mounts diameter[2]	mm	50
Rubber mounts height	mm	30
Rubber mounts shore	sh	55
Sound power level (-10/45, R404A)[5]	dB(A)	81
Sound pressure level @ 1m (-10/45, R404A)[5]	dB(A)	73
Sound power level (5/50, R404A)	dB(A)	81.5
Sound pressure level @ 1m (5/50, R404A)	dB(A)	73.5
Compressor body material		Cast Iron
MRA, maximum operating current at 208-230V/60Hz	A	110
LRA, maximum starting current at 208-230V/60Hz , PWS	A	282
LRA, maximum starting current at 208-230V/60Hz , DOL	A	462
MRA, maximum operating current at 460V/60Hz	A	55
LRA, maximum starting current at 460V/60Hz , DOL motor	A	231
MRA, maximum operating current at 575V/60Hz	A	38.64
LRA, maximum starting current at 575V/60Hz PWS	A	108
LRA, maximum starting current at 575V/60Hz PWS motor	A	174
UL Motor type -2NU	V/ph/Hz	208-230/3/60 DOL/PWS; 460/3/60 DOL
UL Motor type -5PU	V/ph/Hz	575/3/60 PWS
LRA, maximum starting current at 208-230V/60Hz - PWS	A	
Motor protection		AMS
Oil level sight glass	#	2
Control, diagnostics and protection device		INT69® TML Diagnose

[1] Motor version: 1 = high and mid temperature, all refrigerants; 2 = low and mid temperature, all refrigerants; 3 = ECOinside, low temperature, R134a and R1234ze only

[2] Others available on request

[4] Different kind of oil available on request

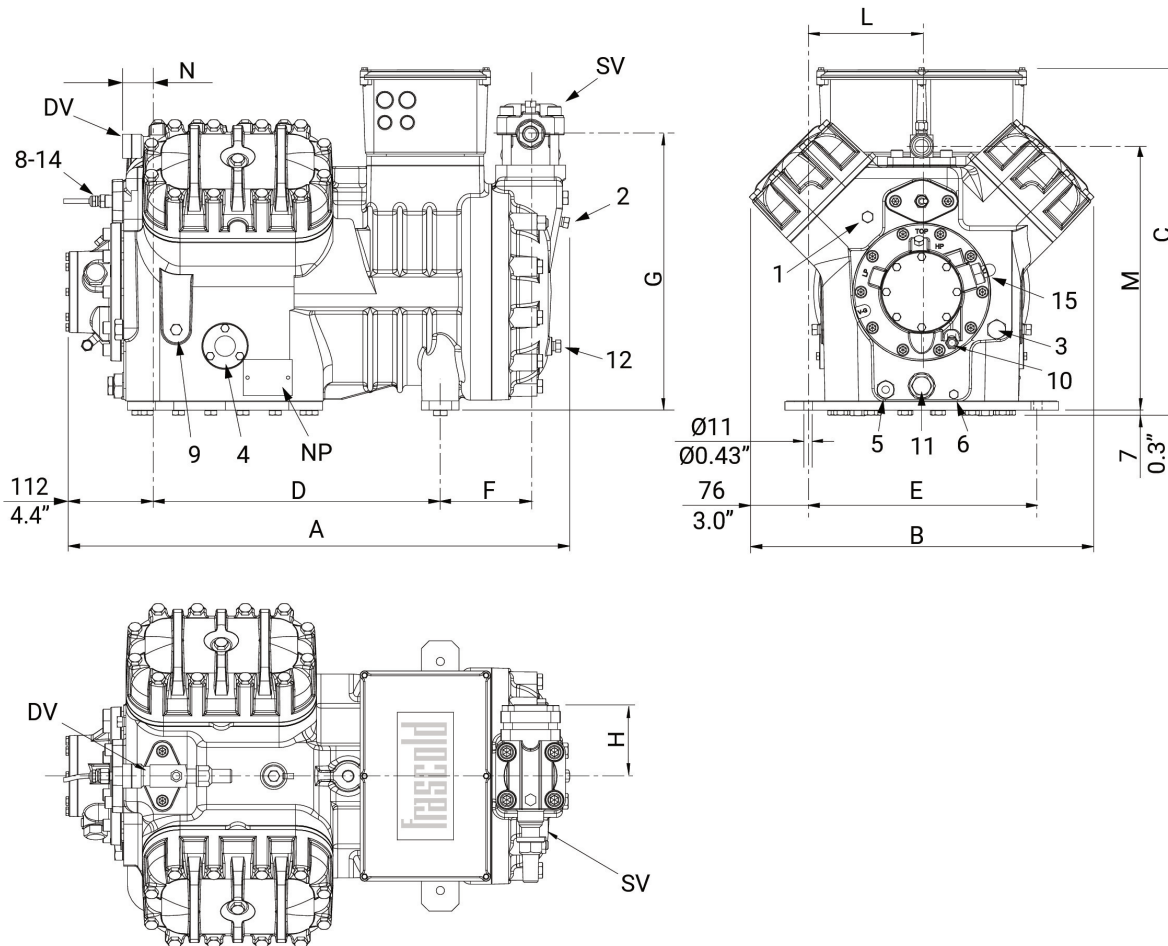
Data sheets

UL Semi-hermetic reciprocating compressors > UL Standard series / for HFC-HCFC-HFO Blends

Accessories:	
Oil heater (230V-150W)	T00CH9-RIC
CC capacity control head 230V AC	T00SK220200
US unloader start head 230V AC	T00SK250200
Optoelectronic oil level switch	T00WK252
Electronic oil level regulator	T00EC1900
Discharge temperature sensor	T00EC50D
Head cooling fan - 230-400V/3/50-60Hz	SZ-FM2V
Kit adapters for oil equalization line - 1" ROT 5/8" ODS	T00SK170200
Kit adapters for oil equalization line - 1"1/4 ROT 1"1/8 ODS	T00SK170300

Data sheets

UL Semi-hermetic reciprocating compressors > UL Standard series / for HFC-HCFC-HFO Blends



Dimensional drawing:

SV Suction valve	mm	54
SV Suction valve	inch	2 $\frac{1}{8}$
DV Discharge valve	mm	35
DV Discharge valve	inch	1 $\frac{3}{8}$
A Length	mm	703
B Width	mm	460
C Height	mm	463
D Base mounting	mm	381
E Base mounting	mm	305
F Suction valve	mm	133
G Suction valve	mm	389
H Suction valve	mm	130
L Discharge valve	mm	152
M Discharge valve	mm	352
N Discharge valve	mm	48
1 High pressure plug		1/8" NPT

2 Low pressure plug		1/4" NPT
3 Oil charge plug		3/8" GAS
4 Oil level sight glass		-
5 Crankcase heater		-
6 Oil drain plug		3/8" GAS
7 Liquid injection valve plug		1/8" NPT
8 Liquid injection sensor plug		1/8" NPT
9 Oil pressure switch connection (LP)		1/4" NPT
10 Oil pressure switch connection (HP)		1/4" SAE
11 Oil filter		3/8" GAS
12 Oil return plug		1/4" NPT
14 Max. discharge temperature sensor		-
15 Electronic oil pressure switch connection		-
DV Discharge valve		-
SV Suction valve		-
NP Name Plate		-