



**Automatic air vent  
in composite**

**Ref. 300106 CST**

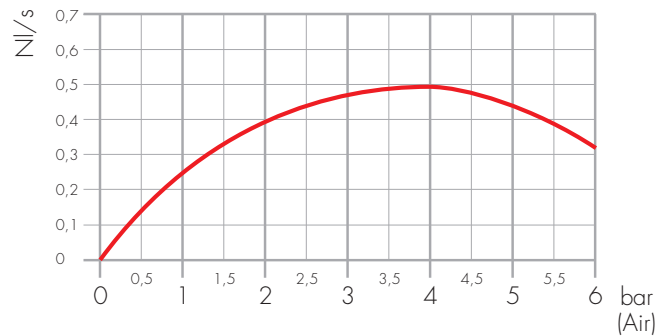


**Function**

This automatic air vent eliminates air in heating systems without the need for manual intervention. This prevents undesired noise, wear of devices in the circuits and inefficient performance of heating units.

**Flow characteristics**

Air flow (when filling the system)



**Technical specifications**

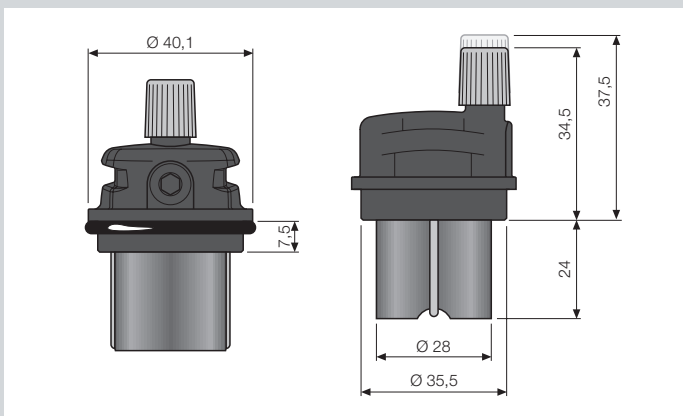
**Materials**

Cover:	PA66 G30
Float:	PP
Cap:	PP
Shutter:	silicone rubber
Spring:	stainless steel
Seals:	EP-PEROX

**Performance**

Medium:	water, glycol solutions
Max. percentage of glycol:	50%
Max. pressure:	10 bar
Max. discharge pressure:	6 bar
Max. working temperature:	110°C

**Dimensions**



Dimensions valid only for geometry evaluation

**Packaging and marking**

**Packaging**

Single part weight:	0,033 kg
Carton with cover:	- quantity: 144 pcs
	- weight: 5,3 kg
	- size (L x W x H): 430 x 340 x 200
Pallet:	- quantity: 4320 psc
	- weight: 184 kg
	- size (L x W x H): 800 x 1200 x 1150

Data to be confirmed upon order receipt

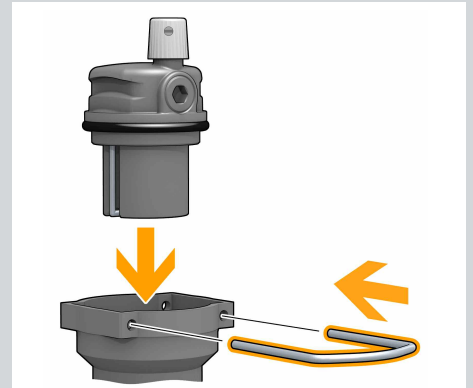
**Marking**

Production date marking: WWYY (Week/Year)

## Features and benefits

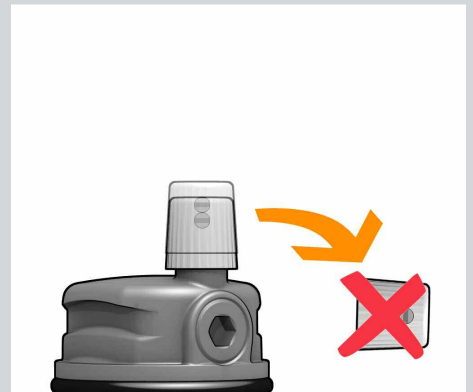
### - Easy installation

The installation of the product on other devices (usually a pump body) is fast and easy due to the fixing clip system.



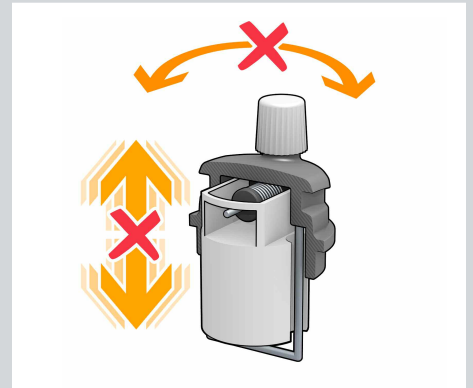
### - Unlosable cap

The specific geometry of the cap allows its complete opening still remaining connected to the valve. This avoids any possible loss.



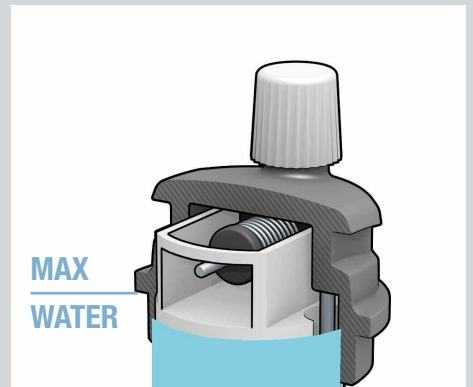
### - Anti-rotation and anti-vibration float system

The float is fitted so that, when it is in rest position, the obturator is not affected by any external movement.



### - "Dry" obturator

The position of the float and the internal parts is such that the water never reaches the obturator itself. This prevents faults caused by the infiltration of impurities present in the medium.



We reserve the right to change our products and their relevant technical data, contained in this publication, at any time and without prior notice.