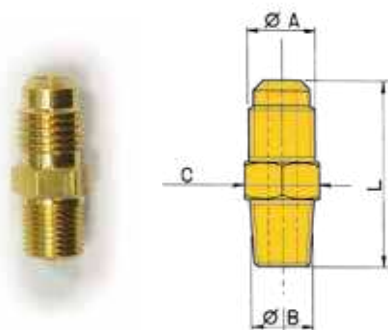


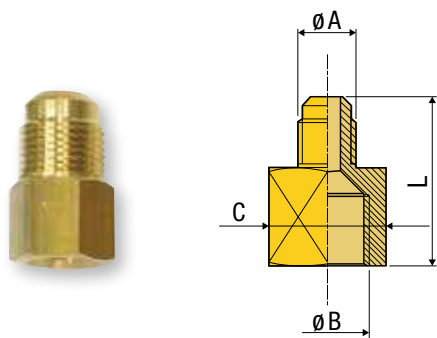
GIUNTI DIRITTI

GIUNTI DIRITTI SAE M X NPT M



Codice	Modello	ØA flare	ØB NPT	C esag.	L mm	Peso	Qtà Min.
05052001	U1-4A (24F4)	1/4"	1/8"	11	31	16 g	100
05052011	U1-4B (48F4)	1/4"	1/4"	14	36	29 g	100
05052026	U1-4C	1/4"	3/8"	17	38	41 g	100
05108130001	U1-4CK	1/4"	3/8"	22	42	410 g	10
05052013	U1-6A (24F6)	3/8"	1/8"	17	36	33 g	50
05052012	U1-6B (48F6)	3/8"	1/4"	17	39	36 g	50
05052033	U1-6C	3/8"	3/8"	17	39	46 g	50
05108131001	U1-6CK	3/8"	3/8"	17	39	460 g	10
05052025	U1-6D	3/8"	1/2"	22	45	76 g	50
05052034	U1-8B	1/2"	1/4"	20	43	54 g	50
05052016	U1-8C	1/2"	3/8"	20	43	60 g	50
05052035	U1-8D	1/2"	1/2"	22	45	83 g	50
05052038	U1-10D	5/8"	1/2"	23	49	88 g	50
05052039	U1-10E	5/8"	3/4"	27	54	132 g	50
05052041	U1-12E	3/4"	3/4"	27	53	138 g	50

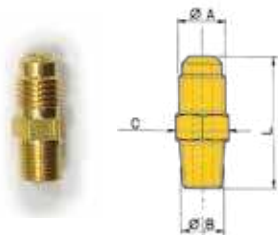
GIUNTI DIRITTI RIDOTTI SAE M X SAE F



Codice	Modello	ØA flare	ØB flare	C esag.	L mm	Peso	Qtà Min.
05055018	UR3-46	1/4"	3/8"	22	33	50 g	50
05108133001	UR3-46K	1/4"	3/8"	22	33	500 g	10
05055024	UR3-48	1/4"	1/2"	25	37	73 g	50
05108134001	UR3-48K	1/4"	1/2"	25	37	730 g	10
05055017	UR3-64	3/8"	1/4"	17	33	40 g	50
05108132001	UR3-64K	3/8"	1/4"	17	33	400 g	10
05055025	UR3-68	3/8"	1/2"	25	38	73 g	50
05108135001	UR3-68K	3/8"	1/2"	25	38	365 g	5
05055026	UR3-84	1/2"	1/4"	20	35	58 g	50
05108136001	UR3-84K	1/2"	1/4"	20	35	290 g	5
05055027	UR3-86	1/2"	3/8"	22	35	60 g	50
05108137001	UR3-86K	1/2"	3/8"	22	35	300 g	5
05055028	UR3-810	1/2"	5/8"	27	43	97 g	50
05108138001	UR3-810K	1/2"	5/8"	27	43	485 g	5
05055029	UR3-108	5/8"	1/2"	25	43	83 g	50
05108139001	UR3-108K	5/8"	1/2"	25	43	415 g	5
05055030	UR3-1012	5/8"	3/4"	32	45	129 g	40
05055031	UR3-1210	3/4"	5/8"	27	41	102 g	40

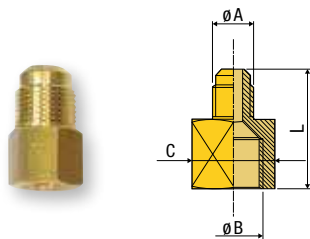
UNIONS

SAE FLARE M X NPT M UNIONS



Code	Model	ØA	ØB NPT	C esag.	L mm	Weight	Min. Qty
05052001	U1-4A (24F4)	1/4"	1/8"	11	31	16 g	100
05052011	U1-4B (48F4)	1/4"	1/4"	14	36	29 g	100
05052026	U1-4C	1/4"	3/8"	17	38	41 g	100
05108130001	U1-4CK	1/4"	3/8"	22	42	410 g	
05052013	U1-6A (24F6)	3/8"	1/8"	17	36	33 g	50
05052012	U1-6B (48F6)	3/8"	1/4"	17	39	36 g	50
05052033	U1-6C	3/8"	3/8"	17	39	46 g	50
05108131001	U1-6CK	3/8"	3/8"	17	39	460 g	
05052025	U1-6D	3/8"	1/2"	22	45	76 g	50
05052034	U1-8B	1/2"	1/4"	20	43	54 g	50
05052016	U1-8C	1/2"	3/8"	20	43	60 g	50
05052035	U1-8D	1/2"	1/2"	22	45	83 g	50
05052038	U1-10D	5/8"	1/2"	23	49	88 g	50
05052039	U1-10E	5/8"	3/4"	27	54	132 g	50
05052041	U1-12E	3/4"	3/4"	27	53	138 g	50

SAE FLARE M X SAE FLARE F REDUCED UNIONS



Code	Model	ØA	ØB	C esag.	L mm	Weight	Min. Qty
05055018	UR3-46	1/4"	3/8"	22	33	50 g	50
05108133001	UR3-46	1/4"	3/8"	22	33	500 g	
05055024	UR3-48	1/4"	1/2"	25	37	73 g	50
05108134001	UR3-48K	1/4"	1/2"	25	37	730 g	
05055017	UR3-64	3/8"	1/4"	17	33	40 g	50
05108132001	UR3-64K	3/8"	1/4"	17	33	400 g	
05055025	UR3-68	3/8"	1/2"	25	38	73 g	50
05108135001	UR3-68K	3/8"	1/2"	25	38	365 g	
05055026	UR3-84	1/2"	1/4"	20	35	58 g	50
05108136001	UR3-84K	1/2"	1/4"	20	35	290 g	
05055027	UR3-86	1/2"	3/8"	22	35	60 g	50
05108137001	UR3-86K	1/2"	3/8"	22	35	300 g	
05055028	UR3-810	1/2"	5/8"	27	43	97 g	50
05108138001	UR3-810K	1/2"	5/8"	27	43	485 g	
05055029	UR3-108	5/8"	1/2"	25	43	83 g	50
05108139001	UR3-108K	5/8"	1/2"	25	43	415 g	
05055030	UR3-1012	5/8"	3/4"	32	45	129 g	40
05055031	UR3-1210	3/4"	5/8"	27	41	102 g	40