

Data Sheet

RA-IN upgradable radiator valves, copper connection

Application



013G6806
Side Angle Right



013G6807
Side Angle Left



013G6814
Angle



013G6815
Straight

RA-IN valves are designed to work in conjunction with thermostatic sensor to deliver energy savings.

RA-IN valve bodies can be used together with all types of thermostatic elements in the Danfoss RA sensor series, like RAS-C2, RAX, RA2000, Eco and Connect electronic thermostats and with TWA thermal actuators.

RA-IN valves are used in two-pipe heating systems. They are designed to fit with Danfoss fitting range. A comprehensive range of compression fittings for PEX, AluPEX, copper and steel tubes are available.

RA-IN valves are delivered in 'N' position which is fully open.

Each valve body is supplied with a white protective cap, which can be used for manual regulation

during the construction phase. The protective cap must not be used as a manual shut off device.

A special manual shut off device is available as an accessory. RA-IN valve bodies are manufactured from brass with nickel plating.

The pressure pin of the gland seal is of chromium steel and works in a lifetime lubricated O-ring. The complete gland seal assembly can be replaced without draining down the system.

In order to avoid deposition and corrosion the composition of the hot water must be in accordance with the VDI 2035 guideline (Verein Deutscher Ingenieure).

It is recommended that formulations containing mineral oil are avoided.

Approved to EN 215



Danfoss RA-IN valves are manufactured to the highest standards, and are approved to the European Standard EN 215.

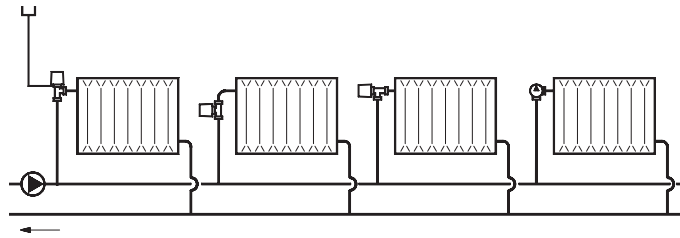
Code nos.

Type	Design	Connections		k _v (m ³ /h at Δp = 1 bar)	Code No.
		Inlet	Outlet		
RA-IN	side angle right	G3/4	G3/4	N	013G6806
	side angle left	G3/4	G3/4	0.53	013G6807
	angle	G3/4	G3/4	0.53	013G6814
	straight	G3/4	G3/4	0.53	013G6815

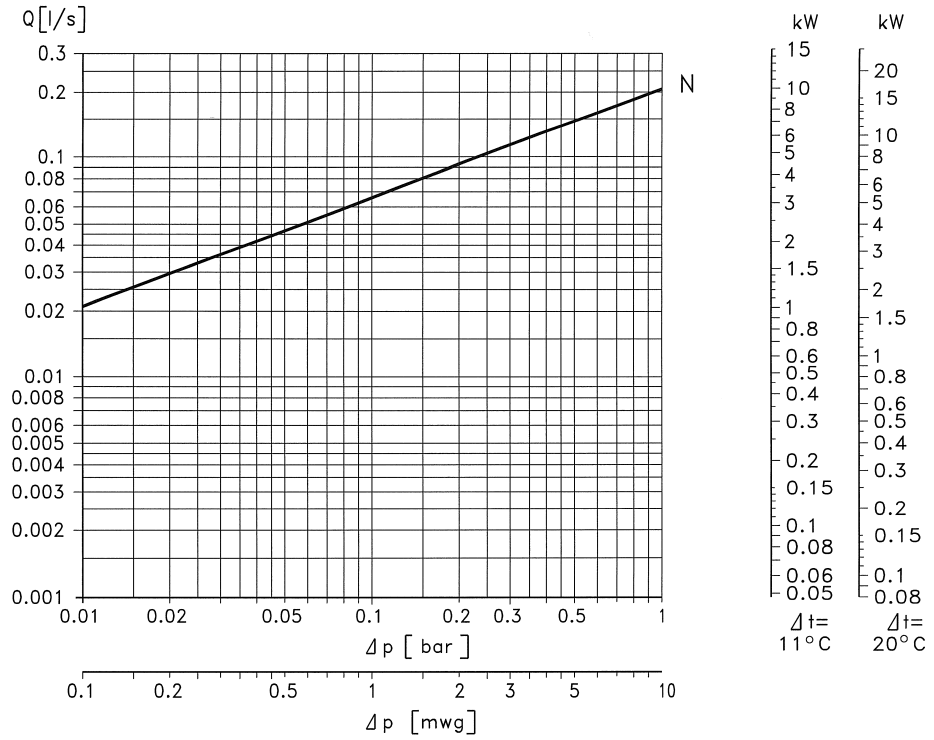
Accessories

Product	Code no.
Gland seal	013G0290
Tail piece	013G6846
Tail Piece	013G6845
Tail Piece (Project)	013G6843
Tail Piece (Project)	013G6844

Principles

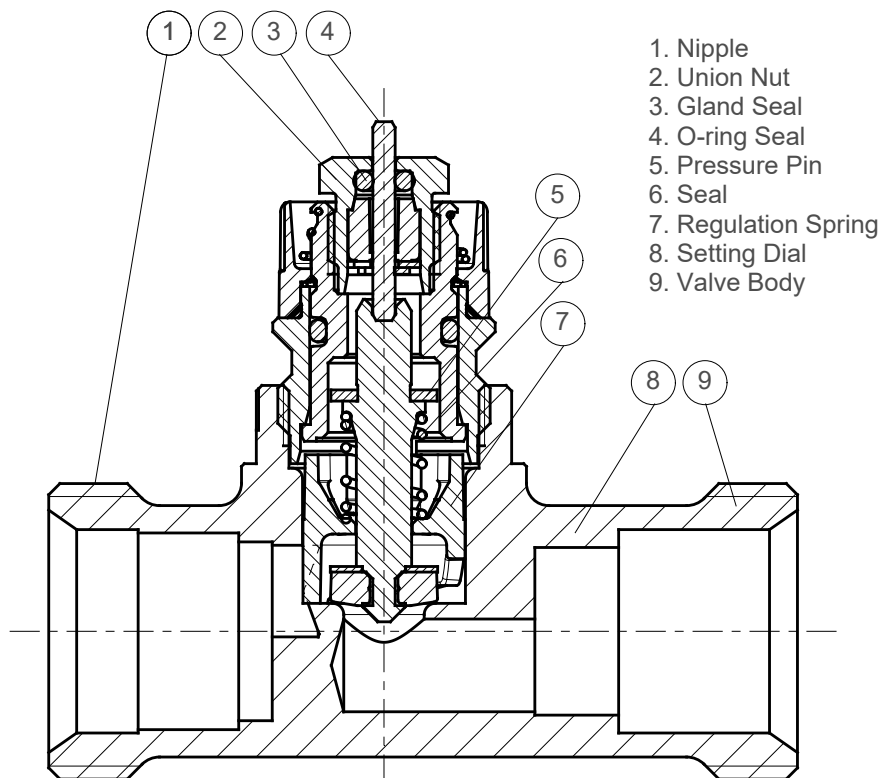


Capacities

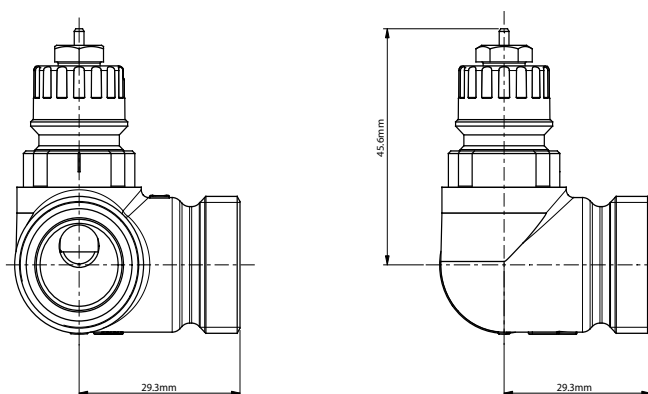


RA-IN valves are delivered in 'N' position which is fully open.

Construction

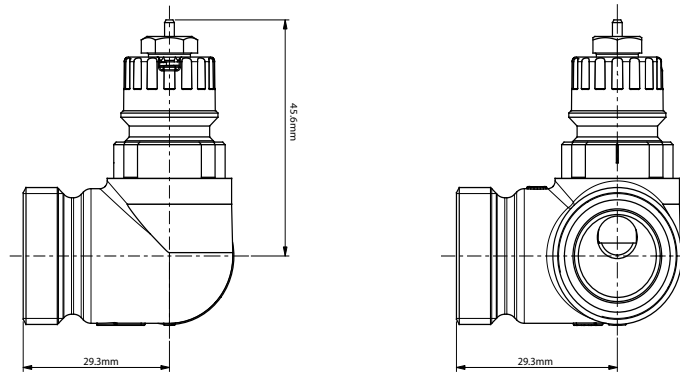


Dimensions

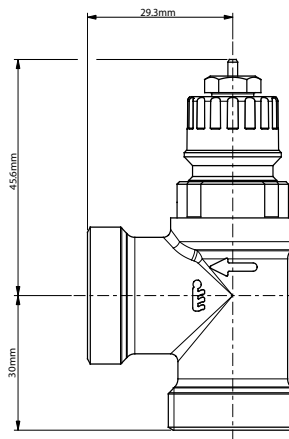


013G6806

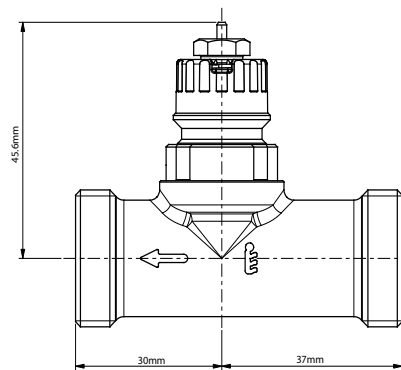
Dimensions (cont)



013G6807



013G6814



013G6815

Danfoss A/S

Heating Segment • heating.danfoss.com • +45 7488 2222 • E-Mail: heating@danfoss.com

Danfoss can accept no responsibility for possible errors in catalogues, brochures and other printed material. Danfoss reserves the right to alter its products without notice. This also applies to products already on order provided that such alterations can be made without subsequential changes being necessary in specifications already agreed. All trademarks in this material are property of the respective companies. Danfoss and all Danfoss logotypes are trademarks of Danfoss A/S. All rights reserved.