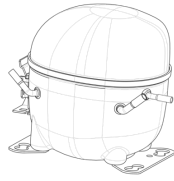


220-240V 50Hz 1~**GENERAL DATA****Application:** LBP**Refrigerant:** R290**Evaporating Temperature Range:** -40°C to -10°C**Compressor Cooling:** Fan**Fan air flow:** 520 m3/h**Maximum Condensing Pressure - Operating:** 18.07 bar**Maximum Condensing Pressure - Peak:** 20.16 bar**Type:** Hermetic reciprocating**Technology Type:** On-Off**Expansion Device:** Capillary Tube or Expansion Valve**Packing Quantity:** Single - 1 pc**Displacement:** 16.8 cm3**Horse power:** 3/4 hpApprovals:   **MECHANICAL DATA****Bore:** 31.19 mm**Stroke:** 22 mm**Oil Charge:** 350ml +/-15ml**Free Internal Volume:** 2.1 cm3**Maximum Recommended Refrigerant Charge:** 350 ml**Oil Type Configuration:** Polyolester**Oil Type Viscosity:** ISO22**Compressor pressurization:** Without dry air charge**Weight:** 12.3 kg**ELECTRICAL DATA****Motor Type:** CSR**Starting Torque:** HST**Voltage working range at 50 Hz:** 198-254 V**Maximum Motor Temperature:** 130 °C**Start Winding Resistance:** 11.03 Ω (± 10%) at 25°C**Run Winding Resistance:** 5.15 Ω (± 10%) at 25°C**Locked Rotor Amperage (RLA):** 21 A**MOUNTING ACCESSORIES**

	Description	Code
Terminal Board:	no	-
Anchorage:	no	-
Capacitor Bracket:	no	-
Washer:	no	-
Pin:	no	-
Clip:	no	-
Rotolock valve:	no	-
Grommets:	yes	2221011
Sleeves:	yes	2222018
Overload Protector Bracket:	yes	2075299
Cover:	yes	2075278

ELECTRICAL COMPONENTS

	Component type	Description	Code
Starting Device:	Potential relay	RVA3AN3C-647	1253026
Start Capacitor:		88-108 MFD 330V	2252269
Run Capacitor:		10 MFD	2253316
Motor Protection:	External 3/4"	MST30AMK-3261	2321139
CSR / CSIR Box:	yes		1272379

EXTERNAL CHARACTERISTICS**Base Plate:** European**Tray Holder:** No**Height:** 206 mm

	Internal Diameter (mm)	Material	Shape
Suction Connector	8.1	Copper	Slanted 42°
Discharge Connector	6.1	Copper	Straight
Process Connector	6.1	Copper	Slanted 42°

RATED POINT DATA

Cooling Capacity (W)	Power Consumption (W)	Current Consumption (A)	Gas Flow Rate (kg/h)	Efficiency (w/W)
±5%	±5%	±5%	±5%	±7%
233	508	2.42	8.06	0.46

Test condition: ASHRAE, Fan, Return Gas 32.2°C, Evaporating: -23.3°C, Condensing: 54°C, Ambient: 32.2°C, Liquid: 32.2°C

PERFORMANCE CURVE DATA

220V 50Hz

Condensing Temperature (°C)	Evaporating Temperature (°C)	Cooling Capacity (W)	Power Consumption (W)	Current Consumption (A)	Gas Flow Rate (kg/h)	Efficiency (w/W)
		±5%	±5%	±5%	±5%	±7%
35°C	-10	1 514	561	2.66	15.55	2.70
	-15	1 247	517	2.46	12.75	2.41
	-20	1 012	473	2.26	10.30	2.14
	-25	807	430	2.07	8.19	1.88
	-30	634	388	1.88	6.41	1.63
	-35	491	347	1.69	4.96	1.42
	-40	380	306	1.51	3.83	1.24

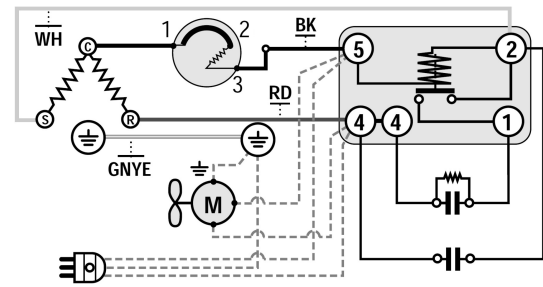
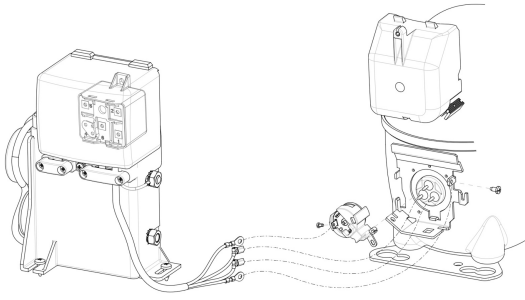
Condensing Temperature (°C)	Evaporating Temperature (°C)	Cooling Capacity (W)	Power Consumption (W)	Current Consumption (A)	Gas Flow Rate (kg/h)	Efficiency (w/W)
		±5%	±5%	±5%	±5%	±7%
45°C	-10	1 453	623	2.96	14.92	2.33
	-15	1 198	567	2.70	12.24	2.11
	-20	971	513	2.46	9.89	1.89
	-25	774	461	2.22	7.85	1.68
	-30	606	411	2.00	6.13	1.47
	-35	467	364	1.79	4.72	1.28

Condensing Temperature (°C)	Evaporating Temperature (°C)	Cooling Capacity (W)	Power Consumption (W)	Current Consumption (A)	Gas Flow Rate (kg/h)	Efficiency (w/W)
		±5%	±5%	±5%	±5%	±7%
55°C	-10	1 369	687	3.24	14.05	1.99
	-15	1 128	618	2.92	11.53	1.83
	-20	914	553	2.62	9.31	1.65
	-25	728	491	2.34	7.38	1.48
	-30	569	433	2.08	5.76	1.31

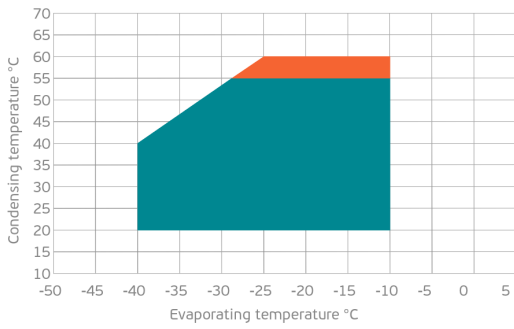
Test condition: ASHRAE, Fan, Return Gas 32.2°C, Evaporating: -23.3°C, Condensing: 54°C, Ambient: 32.2°C, Liquid: 32.2°C

ASSEMBLY INSTRUCTION

WIRING DIAGRAM

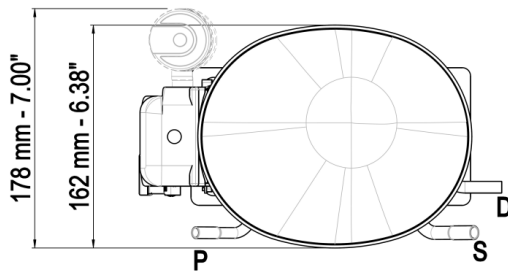
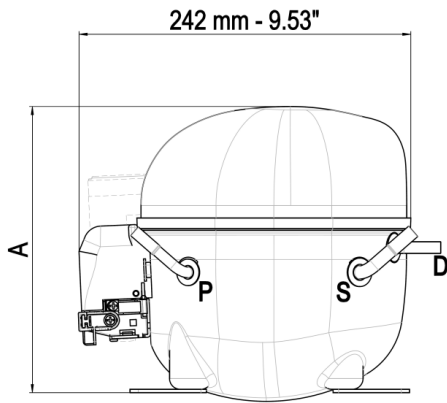


OPERATING ENVELOPE



- Operating Condition
- Transient Condition
- Superheating

NOTE: usage of compressors outside of intended working range cannot make use of the warranty, or should be consulted with Technical support.



DWG02	∅ mm	∅ in	material
S - Suction	6.10 - 6.20	0.24	Cu
P - Process	6.10 - 6.20	0.24	Cu
S - Discharge	4.86 - 5.02	3/16	Cu

DWG03	∅ mm	∅ in	material
S - Suction	8.10 - 8.20	0.32	Cu
P - Process	6.10 - 6.20	0.24	Cu
S - Discharge	6.10 - 6.20	0.24	Cu

