

# 2/2

## 221G Series

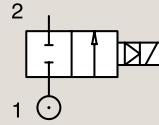
Valves for dry or lubricated air, neutral gases and liquids  
Maglift - Port size from 3/8" to 1/2" and orifice 15mm



316L Stainless St.

### Pipe Mounting

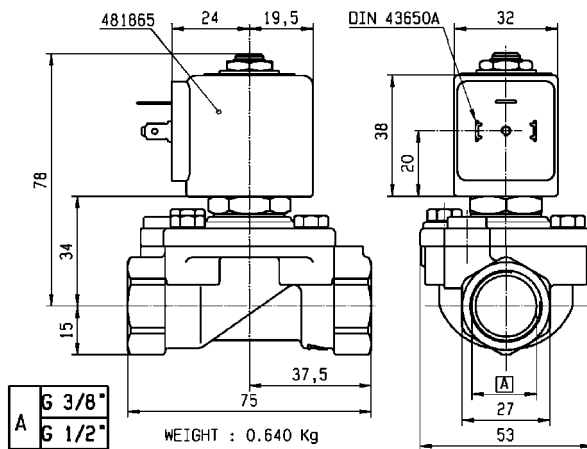
#### Normally Closed



| Port Size | Orifice Ø<br>mm | Flow Factors |            | Operating Pressure Differential |                       |        | Fluid Temperature |         | Seat Seal             | Parker Valves          |              |           | IS | ATEX Zone | Protection Mode      | Power   |         | Coil Group | Dwg N° |
|-----------|-----------------|--------------|------------|---------------------------------|-----------------------|--------|-------------------|---------|-----------------------|------------------------|--------------|-----------|----|-----------|----------------------|---------|---------|------------|--------|
|           |                 | Kv<br>l/min  | KV<br>m³/h | Min. Bar                        | Max. (MOPD)<br>AC bar | DC bar | Min. °C           | Max. °C |                       | Valve Ref.             | Housing Ref. | Coil Ref. |    |           |                      | AC<br>W | DC<br>W |            |        |
| 3/8"      | 15              | 65           | 3.90       | 0                               | 16                    | -      | 0                 | 100     | FKM                   | 221G6306 <sub>1</sub>  | 2995         | 481865    | -  | -         | -                    | 8       | -       | 2.0        | 3732   |
|           | 15              | 65           | 3.90       | 0                               | -                     | 6      | 0                 | 60      | FKM                   | 221G6306 <sub>12</sub> | 2995         | 492425    | -  | -         | -                    | -       | 14      | 2.0        | 3732   |
|           | 15              | 65           | 3.90       | 0                               | 16                    | -      | 0                 | 65      | FKM                   | 221G6306 <sub>1</sub>  | 2995         | 495870    | -  | 2-22      | Ex nAc nCc IIC T3/T4 | 8       | -       | 2.0        | 3732   |
|           | 15              | 65           | 3.90       | 0                               | 16                    | -      | 0                 | 120     | FKM                   | 221G6306 <sub>1</sub>  | 4538         | 481000    | -  | -         | -                    | 8       | -       | 2.0        | 3732   |
|           | 15              | 65           | 3.90       | 0                               | 20                    | 7      | 0                 | 140     | FKM                   | 221G6306 <sub>1</sub>  | 4538         | 486265    | -  | -         | -                    | 14      | 14      | 2.0        | 3732   |
|           | 15              | 65           | 3.90       | 0                               | 16                    | -      | 0                 | 80      | FKM                   | 221G6306 <sub>1</sub>  | -            | 495905    | -  | 1-21      | Ex db mb IIC T4      | 8       | -       | 2.0        | 3732   |
|           | 15              | 65           | 3.90       | 0                               | -                     | 10     | -10               | 100     | FKM                   | 221G6336               | 2995         | 481865    | -  | -         | -                    | -       | 9       | 2.1        | 3732   |
|           | 15              | 65           | 3.90       | 0                               | -                     | 10     | -10               | 65      | FKM                   | 221G6336               | 2995         | 495870    | -  | 2-22      | Ex nAc nCc IIC T3/T4 | -       | 9       | 2.1        | 3732   |
|           | 15              | 65           | 3.90       | 0                               | 10                    | 10     | -10               | 65      | FKM                   | 221G6336               | -            | 492070    | -  | 1-21      | Ex mb IIC T4/T5      | 9       | 8       | 2.1        | 3732   |
|           | 15              | 65           | 3.90       | 0                               | 10                    | 10     | -10               | 75      | FKM                   | 221G6336               | -            | 492190    | -  | 1-21      | Ex eb mb IIC T3/T4   | 11      | 9       | 2.1        | 3732   |
|           | 15              | 65           | 3.90       | 0                               | -                     | 10     | -10               | 80      | FKM                   | 221G6336               | -            | 495905    | -  | 1-21      | Ex db mb IIC T4      | -       | 8       | 2.1        | 3732   |
|           | 15              | 65           | 3.90       | 0                               | 16                    | -      | 0                 | 100     | FKM                   | 221G6506 <sub>1</sub>  | 2995         | 481865    | -  | -         | -                    | 8       | -       | 2.0        | 3732   |
|           | 15              | 65           | 3.90       | 0                               | -                     | 6      | 0                 | 60      | FKM                   | 221G6506 <sub>12</sub> | 2995         | 492425    | -  | -         | -                    | -       | 14      | 2.0        | 3732   |
|           | 15              | 65           | 3.90       | 0                               | 16                    | -      | 0                 | 65      | FKM                   | 221G6506 <sub>1</sub>  | 2995         | 495870    | -  | 2-22      | Ex nAc nCc IIC T3/T4 | 8       | -       | 2.0        | 3732   |
|           | 15              | 65           | 3.90       | 0                               | 16                    | -      | 0                 | 120     | FKM                   | 221G6506 <sub>1</sub>  | 4538         | 481000    | -  | -         | -                    | 8       | -       | 2.0        | 3732   |
| 15        | 65              | 3.90         | 0          | 20                              | 7                     | 0      | 140               | FKM     | 221G6506 <sub>1</sub> | 4538                   | 486265       | -         | -  | -         | 14                   | 14      | 2.0     | 3732       |        |
| 1/2"      | 15              | 65           | 3.90       | 0                               | 16                    | -      | 0                 | 80      | FKM                   | 221G6506 <sub>1</sub>  | -            | 495905    | -  | 1-21      | Ex db mb IIC T4      | 8       | -       | 2.0        | 3732   |
|           | 15              | 65           | 3.90       | 0                               | -                     | 10     | -10               | 100     | FKM                   | 221G6536               | 2995         | 481865    | -  | -         | -                    | -       | 9       | 2.1        | 3732   |
|           | 15              | 65           | 3.90       | 0                               | -                     | 10     | -10               | 65      | FKM                   | 221G6536               | 2995         | 495870    | -  | 2-22      | Ex nAc nCc IIC T3/T4 | -       | 9       | 2.1        | 3732   |
|           | 15              | 65           | 3.90       | 0                               | 10                    | 10     | -10               | 65      | FKM                   | 221G6536               | -            | 492070    | -  | 1-21      | Ex mb IIC T4/T5      | 9       | 8       | 2.1        | 3732   |
|           | 15              | 65           | 3.90       | 0                               | 10                    | 10     | -10               | 75      | FKM                   | 221G6536               | -            | 492190    | -  | 1-21      | Ex eb mb IIC T3/T4   | 11      | 9       | 2.1        | 3732   |
|           | 15              | 65           | 3.90       | 0                               | -                     | 10     | -10               | 80      | FKM                   | 221G6536               | -            | 495905    | -  | 1-21      | Ex db mb IIC T4      | -       | 8       | 2.1        | 3732   |

**Notes:**

- 1. With silver shading ring
  - 2. For air, the ambient temperature is limited to +25°C, and the max fluid temperature to +40°C
- The maximum fluid temperature is given for the lower coil class temperature. See coil pages for more details.



Drawing 3732