



Progettato e fabbricato da Area nell'UE

Unità di condensazione BASICLine Area E14B02

LaBASICLine Area E14B02 è un'unità di condensazione destinata a sistemi di celle frigorifere come magazzini refrigerati, depositi a bassa temperatura, armadi frigoriferi e raffreddatori di liquidi, tra le altre installazioni. Con una capacità di raffreddamento di 1,44 kW a -5/32 °C R449A e una portata d'aria di 3.775 m3/h, la sua termodinamica ed efficienza energetica ne fanno un'unità di condensazione ideale per piccole applicazioni commerciali e industriali. Progettata per funzionare fino a 43 °C, questa unità di condensazione è operativa con quattro diversi tipi di miscele di refrigeranti HFC, con l'obiettivo di fornire agli utenti la massima versatilità operativa (R404A, R448A, R449A e R452A).



Scan to see it
in our website
[or click here](#)



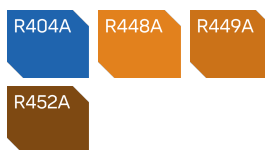
Designed and
manufactured
in the EU

Scheda tecnica

Alimentazione elettrica	220/240 V-50 Hz-1 Ph
Capacità a -5/32 °C R449A	
Capacità volumetrica	2,5 m3/h
Peso	60 kg
Larghezza	350 mm
Lunghezza	905 mm
Altezza	605 mm
Livello sonoro	42 dB
Connessione d'aspirazione	1/2"
Collegamento del liquido	3/8"
Modello di compressore adatto	NEK6217GK
Tipo di olio	POE oil ISO22
Portata Aria	3775 m3/h
MCC	5,1 A
Contenitore liquido	3,3 dm3
Numero x Diametro Ventola	1x450 mm
Refrigerantee	R404A, R448A, R449A, R452A
Certificati	CE, REACH, RoHS, TUV



Refrigerante



Downloads

- ↓ basicline GXX EXX
- ↓ Technical data BASICLine

Equivalente

Danfoss OPTYMA Slim Pack MSHM018SCW05G
Tecumseh Silensys SILAJ9510Z FZ
Tecumseh Wintsys WIN9513Z

BASICLine Condensing Units

Technical Data



Contents

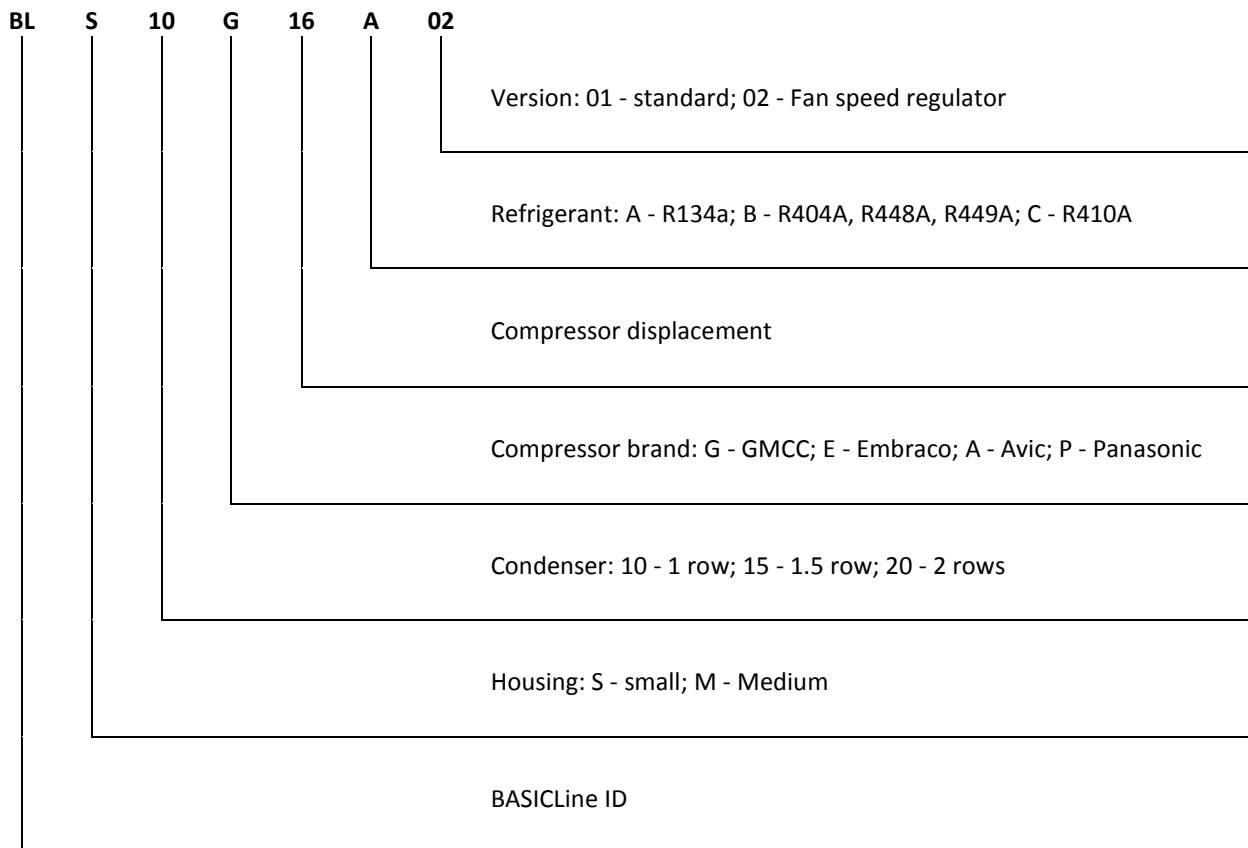
1. General Information	3
2. Code description	3
3. Units specification	4
3.1. Standard components	4
3.2. Electrical equipment	4
4. Technical data	5
4.1. A series – for R134a refrigerant	5
4.2. B series – for R404A, R448A, R449A refrigerant	6
5. Capacity tables	7
A series - R134a	7
B series - R404A	8
B series - R448A/R449A	9
6. Units drawings	10
6.1. BASICLine GXX & EXX (piston)	10
6.2. BASICLine PXX & EXX (scroll)	11
7. Schematic diagrams	12
7.1. BASICLine GXXA	12
7.2. BASICLine PXXA	12
7.3. BASICLine EXXA	13
7.4. BASICLine EXXB	13
7.5. BASICLine PXXB	14

AREA COOLING SOLUTIONS Sp. z o.o. reserves the right to make changes to its products and to data inside this documentation without any prior notice. All rights reserved

1. General Information

- Refrigeration BASICLine condensing units are designed for automatic operation in refrigerated storage rooms, refrigeration cabinets, liquid coolers and other equipment the operating parameters of which meet the requirements of unit's characteristics.
- Condensing units are designed to be used with proper refrigerant types. For A series – R134a, for B series – R404A, R448A, R449A. Filling or refilling these units with any other refrigerant type can cause damage. The units must not operate in conditions exceeding their working parameters. Doing otherwise can cause damage to the unit and will void the warranty.

2. Code description



3. Units specification

3.1. Standard components

- GMCC, Embraco (scroll and piston) or Panasonic hermetic compressor with crankcase heater
- air-cooled condenser
- AC fans
- shut-off valve on suction line
- insulation on suction pipeline
- liquid receiver with shut-off valve
- liquid line: filter drier, sight glass with moisture indicator, shut-off valve
- service valves
- HP/LP pressure switch with auto reset –compressor protection
- suction separator (Panasonic based units)
- pressure equalization system (GMCC based units)
- Fan speed regulator
- EC fan (optional)

3.2. Electrical equipment

- short-circuit and overload protections
- protection of compressor rest time
- control of the presence and direction of the 3-phase connection (in the case of units with 3-phase compressors PXX & EXX).

4. Technical data

4.1. A series – for R134a refrigerant

CU type			BASICLine G16A	BASICLine G25A	BASICLine G34A	BASICLine E42A	BASICLine E46A	BASICLine P56A	BASICLine P67A	BASICLine P83A	
Dimensions	Length	[mm]	905	905	905	1100	1100	1100	1100	1100	
	Height	[mm]	605	605	605	805	805	805	805	805	
	Width	[mm]	350	350	350	450	450	450	450	450	
Weight gross		[kg]	60	60	65	100	100	105	105	110	
Condenser	N° x f	[mm]	1x450	1x450	1x450	1x500	1x500	1x500	1x500	1x500	
	Air flow	[m³/h]	3775	3775	3775	5705	5705	5705	5705	5705	
	Fan power supply	[V/ph/Hz]	200-240/1/50	200-240/1/50	200-240/1/50	200-240/1/50	200-240/1/50	200-240/1/50	200-240/1/50	200-240/1/50	
	Fan power consumption	[W]	138	138	138	230	230	230	230	230	
	Fan rated current	[A]	0,75	0,75	0,75	1,05	1,05	1,05	1,05	1,05	
Compressor	Compressor model		PJ160G1C-4DZ	PJ250M2C-4FT	PJ340M2CS-4KU	SE6018GS-O	SE6021GS-O	C-SBN263H8A	C-SBN303H8A	C-SBN373H8A	
	Displacement		[m³/h]	2,8	4,3	5,9	7,3	8,1	9,7	11,6	14,5
	Voltage		[V/ph/Hz]	220-240/1/50	220-240/1/50	220-240/1/50	380-420/3/50	380-420/3/50	380-415/3/50	380-415/3/50	380-415/3/50
	Current	MCC	[A]	3,9	6,8	10,2	6,4	6,9	5,6	6,4	7,1
		LRA	[A]	18,5	26,5	45	45	71	42	48	48
	Type of oil			Ester oil VG74	Ester oil VG74	Ester oil VG74	POE32	POE32	FV68S	FV68S	FV68S
	Oil charge		[dm³]	0,40	0,50	0,75	1,4	1,4	1,7	1,7	1,7
Heater		[W]	35	35	35	70	70	40	40	40	
Volume*	10m distance		[dBa]	40	40	46	46	46	40	40	
Connections	Suction		[in]	1/2	5/8	5/8	3/4	3/4	3/4	3/4	
	Liquid		[in]	1/4	1/4	1/4	3/8	3/8	3/8	3/8	
Liquid receiver		[dm³]	3,3	3,3	3,3	6,2	6,2	6,2	6,2	6,2	
CU Power supply	Voltage			220-240/1/50	220-240/1/50	220-240/1/50	380-415/3/50	380-415/3/50	380-415/3/50	380-415/3/50	
	Minimum cross section of power supply cables			3x 1,5mm²	3x 1,5mm²	3x 1,5mm²	5x 1,5mm²	5x 1,5mm²	5x 1,5mm²	5x 1,5mm²	
	Minimum protection			10A gG	10A gG	10A gG	10A gG	10A gG	10A gG	10A gG	

*calculated value for unit wall mounted

4.2. B series – for R404A, R448A, R449A refrigerant

CU type			BASICLine E14B	BASICLine E22B	BASICLine E26B	BASICLine E33B	BASICLine E34B	BASICLine E42B	BASICLine E46B	BASICLine P56B	BASICLine P67B	BASICLine P83B	
Dimensions	Length	[mm]	905	905	905	905	1100	1100	1100	1100	1100	1100	
	Height	[mm]	605	605	605	605	805	805	805	805	805	805	
	Width	[mm]	350	350	350	350	450	450	450	450	450	450	
Weight gross		[kg]	60	65	70	75	95	100	100	110	110	110	
Condenser	N° x f	[mm]	1x450	1x450	1x450	1x450	1x500	1x500	1x500	1x500	1x500	1x500	
	Air flow	[m³/h]	3775	3775	3775	3775	5705	5705	5705	5705	5705	5705	
	Fan voltage	[V/ph/Hz]	200-240/1/50	200-240/1/50	200-240/1/50	200-240/1/50	200-240/1/50	200-240/1/50	200-240/1/50	200-240/1/50	200-240/1/50	200-240/1/50	
	Fan power consumption	[W]	138	138	138	138	230	230	230	230	230	230	
	Fan rated current	[A]	0,75	0,75	0,75	0,75	1,05	1,05	1,05	1,05	1,05	1,05	
Compressor	Compressor model		NEK6217GK	NJ9226GK	NJ9232GK	NJ9238GK	SE6015GS-O	SE6018GS-O	SE6021GS-O	C-SBN263H8A	C-SBN303H8A	C-SBN373H8A	
	Displacement volume		[m³/h]	2,5	3,8	4,5	5,7	5,8	7,3	8,1	9,7	11,6	14,5
	Voltage		[V/ph/Hz]	220-240/1/50	220-240/1/50	220-240/1/50	220-240/1/50	380-415/3/50	380-415/3/50	380-415/3/50	380-415/3/50	380-415/3/50	380-415/3/50
	Current	MCC	[A]	5,1	8,5	7,5	10,5	5,2	6,4	6,9	5,6	6,4	7,1
		LRA	[A]	22	28	43	43	22	45	71	42	48	48
	Type of oil			POE oil ISO22	POE oil ISO22	POE oil ISO22	POE oil ISO22	POE32	POE32	POE32	FV68S	FV68S	FV68S
	Oil charge		[dm³]	0,35	0,75	0,75	0,75	1,4	1,4	1,4	1,7	1,7	1,7
Heater		[W]	35	35	35	35	70	70	70	40	40	40	
Volume*	10m distance	[dBa]	42	42	42	42	46	46	46	40	40	40	
Connections	Suction	[in]	3/8	1/2	1/2	5/8	3/4	3/4	3/4	7/8	7/8	7/8	
	Liquid	[in]	3/8	3/8	3/8	3/8	3/8	3/8	3/8	1/2	5/8	5/8	
Liquid receiver		[dm³]	3,3	3,3	3,3	3,3	6,2	6,2	6,2	6,2	6,2	6,2	
CU Power supply	Voltage		220-240/1/50	220-240/1/50	220-240/1/50	220-240/1/50	380-415/3/50	380-415/3/50	380-415/3/50	380-415/3/50	380-415/3/50	380-415/3/50	
	Minimum cross section of power supply cables		3x 1,5mm²	3x 1,5mm²	3x 1,5mm²	3x 1,5mm²	5x 1,5mm²	5x 1,5mm²	5x 1,5mm²	5x 1,5mm²	5x 1,5mm²	5x 1,5mm²	
	Minimum protection		10A gG	10A gG	10A gG	16A gG	10A gG	10A gG	10A gG	10A gG	10A gG	10A gG	

*calculated value for unit wall mounted

5. Capacity tables

A series - R134a

Capacity (subcooling: 0 K, superheating: 10 K)*													
Model	T _o [°C]	-15		-10		-5		0		+5		+10	
	T _{amb} [°C]	Q _e [kW]	P [kW]	Q _e [kW]	P [kW]	Q _e [kW]	P [kW]	Q _e [kW]	P [kW]	Q _e [kW]	P [kW]	Q _e [kW]	P [kW]
BASICLine G16A	27	1,07	0,52	1,11	0,53	1,28	0,54	1,58	0,55	1,96	0,56	2,42	0,56
	32	0,99	0,54	1,03	0,56	1,20	0,57	1,48	0,58	1,85	0,59	2,29	0,60
	38	0,91	0,56	0,95	0,58	1,11	0,60	1,37	0,62	1,72	0,64	2,13	0,65
	43	0,85	0,58	0,88	0,60	1,04	0,62	1,29	0,65	1,62	0,67	2,01	0,69
BASICLine G25A	27	1,65	0,83	1,71	0,86	1,98	0,88	2,42	0,91	3,00	0,94	3,67	0,96
	32	1,54	0,87	1,60	0,89	1,85	0,93	2,28	0,96	2,83	0,99	3,47	1,03
	38	1,42	0,90	1,47	0,94	1,71	0,98	2,11	1,02	2,63	1,06	3,23	1,10
	43	1,32	0,93	1,37	0,97	1,60	1,01	1,98	1,06	2,47	1,12	3,03	1,17
BASICLine G34A	27	2,19	1,14	2,27	1,17	2,63	1,21	3,22	1,25	3,98	1,28	4,87	1,32
	32	2,04	1,18	2,12	1,22	2,46	1,27	3,02	1,32	3,75	1,37	4,60	1,41
	38	1,88	1,23	1,95	1,28	2,27	1,34	2,80	1,40	3,49	1,46	4,28	1,53
	43	1,75	1,27	1,82	1,33	2,12	1,40	2,62	1,47	3,27	1,54	4,02	1,62
BASICLine E42A	27	2,20	1,23	2,75	1,30	3,40	1,38	4,15	1,47	5,00	1,55	5,92	1,65
	32	2,06	1,29	2,59	1,37	3,22	1,46	3,95	1,55	4,76	1,65	5,65	1,75
	38	1,90	1,38	2,40	1,47	3,00	1,56	3,68	1,67	4,45	1,77	5,30	1,88
	43	1,77	1,46	2,23	1,55	2,80	1,66	3,45	1,77	4,18	1,88	4,99	2,00
BASICLine E46A	27	2,48	1,35	3,09	1,43	3,83	1,52	4,67	1,63	5,60	1,73	6,63	1,84
	32	2,32	1,42	2,92	1,51	3,62	1,61	4,43	1,72	5,33	1,84	6,31	1,96
	38	2,14	1,52	2,70	1,62	3,36	1,73	4,13	1,85	4,98	1,98	5,91	2,11
	43	1,99	1,60	2,51	1,71	3,14	1,83	3,86	1,96	4,67	2,10	5,56	2,24
BASICLine P56A	27	3,26	1,66	3,86	1,73	4,58	1,79	5,41	1,85	6,39	1,91	7,52	1,98
	32	3,02	1,81	3,59	1,88	4,27	1,94	5,06	2,01	5,99	2,08	7,08	2,16
	38	2,75	2,02	3,28	2,09	3,91	2,16	4,66	2,23	5,54	2,31	6,56	2,40
	43	-	-	3,03	2,29	3,63	2,36	4,34	2,44	5,17	2,53	6,15	2,63
BASICLine P67A	27	3,91	1,99	4,61	2,08	5,44	2,16	6,41	2,25	7,53	2,35	8,83	2,46
	32	3,61	2,17	4,28	2,26	5,07	2,35	5,99	2,45	7,07	2,56	8,31	2,69
	38	3,27	2,43	3,90	2,52	4,64	2,62	5,51	2,72	6,53	2,85	7,71	3,00
	43	-	-	3,61	2,77	4,31	2,87	5,13	2,98	6,10	3,12	7,22	3,28
BASICLine P83A	27	5,02	2,31	5,96	2,41	7,06	2,49	8,36	2,58	9,87	2,67	11,62	2,77
	32	4,66	2,53	5,55	2,63	6,59	2,72	7,82	2,81	9,26	2,91	10,94	3,03
	38	4,24	2,83	5,07	2,93	6,05	3,03	7,20	3,13	8,56	3,24	10,15	3,38
	43	-	-	4,69	3,22	5,62	3,32	6,71	3,43	8,00	3,56	9,51	3,71

(*) AREA COOLING SOLUTIONS Sp. z o.o. reserves the right to make changes in all or part of performance data inside this documentation without any prior notice. All rights reserved.

B series - R404A

Capacity (subcooling: 0 K, superheating: 10 K)*															
Model	T ₀ [°C]	-20		-15		-10		-5		0		+5		+10	
	T _{amb} [°C]	Q _e [kW]	P [kW]	Q _e [kW]	P [kW]	Q _e [kW]	P [kW]	Q _e [kW]	P [kW]	Q _e [kW]	P [kW]	Q _e [kW]	P [kW]	Q _e [kW]	P [kW]
BASICLine E14B	27	0,77	0,66	0,96	0,71	1,18	0,76	1,44	0,81	1,72	0,87	2,03	0,96	-	-
	32	0,74	0,68	0,91	0,74	1,11	0,79	1,34	0,84	1,59	0,91	1,87	1,00	-	-
	38	0,66	0,70	0,80	0,76	0,98	0,82	1,18	0,88	1,41	0,95	1,66	1,05	-	-
	43	-	-	0,71	0,78	0,87	0,84	1,05	0,91	1,26	0,98	1,49	1,08	-	-
BASICLine E22B	27	1,06	0,88	1,36	0,96	1,71	1,02	2,12	1,09	2,56	1,16	3,04	1,25	-	-
	32	0,99	0,89	1,26	0,97	1,57	1,05	1,94	1,12	2,34	1,20	2,76	1,30	-	-
	38	0,86	0,89	1,09	0,98	1,37	1,07	1,69	1,15	2,05	1,25	2,43	1,36	-	-
	43	-	-	0,94	0,99	1,20	1,08	1,49	1,18	1,81	1,29	2,16	1,42	-	-
BASICLine E26B	27	1,30	0,99	1,67	1,09	2,11	1,17	2,63	1,25	3,20	1,34	3,81	1,45	-	-
	32	1,22	1,00	1,55	1,11	1,95	1,20	2,41	1,29	2,92	1,39	3,47	1,51	-	-
	38	1,06	1,01	1,35	1,12	1,70	1,22	2,11	1,33	2,57	1,44	3,06	1,59	-	-
	43	-	-	1,17	1,13	1,49	1,25	1,86	1,36	2,27	1,49	2,72	1,65	-	-
BASICLine E33B	27	1,61	1,30	2,08	1,46	2,60	1,58	3,17	1,68	3,78	1,80	4,42	1,96	-	-
	32	1,51	1,33	1,92	1,49	2,38	1,61	2,89	1,73	3,44	1,87	4,03	2,04	-	-
	38	1,31	1,35	1,66	1,50	2,07	1,64	2,52	1,78	3,01	1,93	3,53	2,14	-	-
	43	-	-	1,43	1,52	1,79	1,66	2,20	1,81	2,65	1,99	3,14	2,22	-	-
BASICLine E34B	27	2,69	1,65	3,26	1,75	3,91	1,86	4,64	1,98	5,46	2,11	6,36	2,24	7,35	2,37
	32	2,50	1,77	3,03	1,89	3,62	2,00	4,30	2,13	5,05	2,26	5,89	2,39	6,81	2,53
	38	2,25	1,94	2,73	2,06	3,26	2,19	3,87	2,32	4,55	2,45	5,31	2,59	6,15	2,74
	43	2,03	2,10	2,46	2,22	2,94	2,36	3,49	2,49	4,10	2,63	4,79	2,78	5,57	2,93
BASICLine E42B	27	3,30	1,78	4,02	1,89	4,84	2,00	5,78	2,12	6,84	2,24	8,03	2,37	9,34	2,51
	32	3,07	1,92	3,74	2,03	4,50	2,15	5,37	2,27	6,36	2,40	7,46	2,54	8,69	2,67
	38	2,78	2,10	3,39	2,22	4,08	2,35	4,86	2,48	5,76	2,62	6,76	2,76	7,89	2,90
	43	2,52	2,27	3,07	2,40	3,70	2,54	4,42	2,68	5,23	2,82	6,16	2,96	7,20	3,10
BASICLine E46B	27	3,72	1,97	4,52	2,09	5,43	2,22	6,47	2,36	7,64	2,51	8,94	2,66	10,37	2,82
	32	3,46	2,13	4,20	2,26	5,05	2,39	6,01	2,54	7,09	2,69	8,30	2,85	9,64	3,01
	38	3,13	2,33	3,80	2,47	4,56	2,62	5,43	2,77	6,41	2,93	7,51	3,10	8,73	3,26
	43	2,83	2,52	3,44	2,67	4,13	2,83	4,92	2,99	5,81	3,15	6,82	3,32	7,95	3,49
BASICLine P56B	27	4,57	2,58	5,44	2,63	6,45	2,69	7,63	2,77	8,99	2,86	10,52	2,97	12,24	3,11
	32	4,12	2,84	4,92	2,90	5,84	2,96	6,92	3,04	8,16	3,13	9,57	3,25	11,17	3,39
	38	3,61	3,21	4,32	3,27	5,15	3,33	6,10	3,41	7,21	3,51	8,49	3,62	9,93	3,76
	43	3,19	3,57	3,85	3,63	4,60	3,69	5,46	3,77	6,47	3,86	7,63	3,98	8,94	4,11
BASICLine P67B	27	5,28	3,14	6,30	3,22	7,44	3,31	8,75	3,42	10,23	3,56	11,91	3,72	13,77	3,91
	32	4,73	3,47	5,68	3,55	6,73	3,65	7,93	3,76	9,29	3,90	10,83	4,06	12,56	4,26
	38	4,08	3,93	4,96	4,02	5,91	4,12	6,99	4,23	8,21	4,37	9,60	4,53	11,16	4,72
	43	3,54	4,37	4,37	4,46	5,26	4,56	6,24	4,68	7,35	4,81	8,61	4,97	10,02	5,16
BASICLine P83B	27	6,14	4,05	7,26	4,13	8,51	4,25	9,91	4,40	11,49	4,59	13,25	4,81	15,18	5,05
	32	5,54	4,44	6,57	4,56	7,72	4,70	9,01	4,87	10,46	5,06	12,07	5,29	13,86	5,54
	38	4,81	5,01	5,76	5,15	6,80	5,32	7,95	5,51	9,25	5,72	10,70	5,95	12,29	6,21
	43	4,19	5,55	5,08	5,73	6,04	5,92	7,09	6,12	8,26	6,34	9,55	6,57	10,98	6,82

(*) AREA COOLING SOLUTIONS Sp. z o.o. reserves the right to make changes in all or part of performance data inside this documentation without any prior notice. All rights reserved.

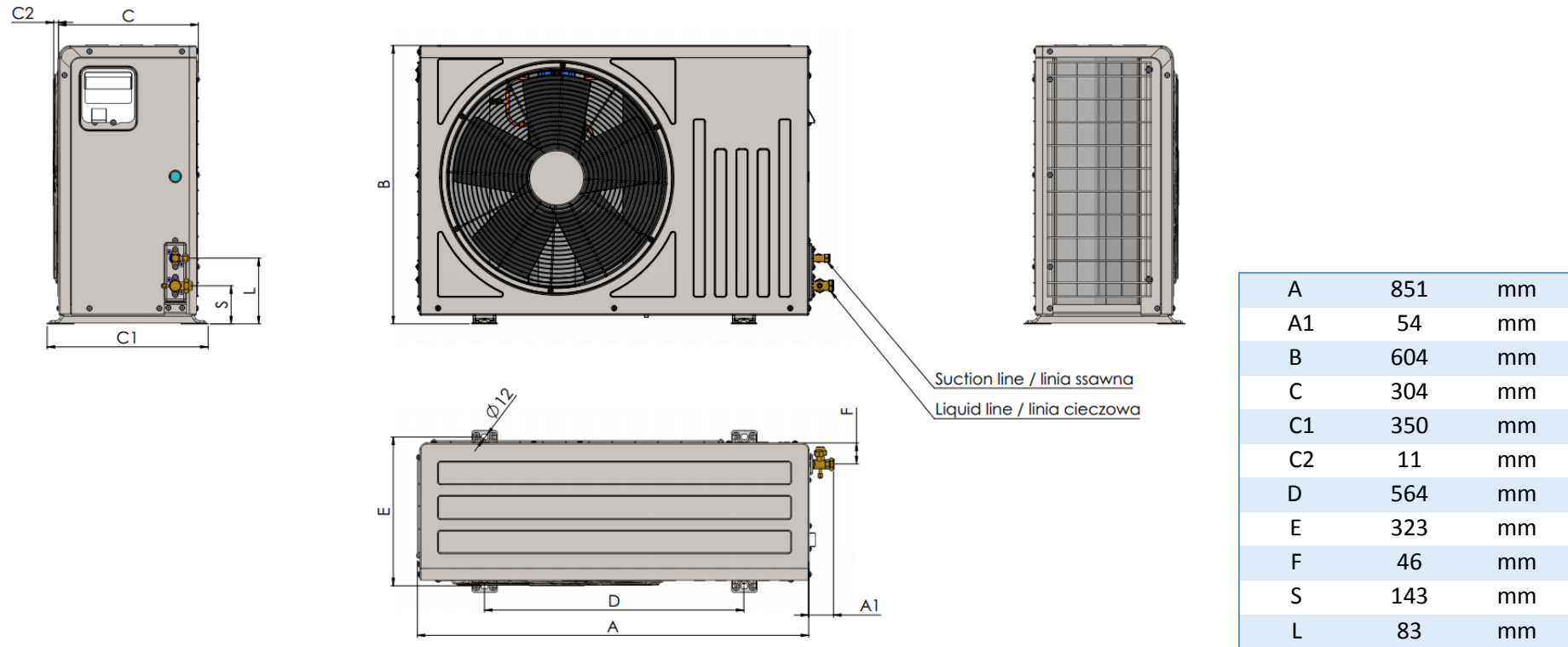
B series - R448A/R449A

Capacity (subcooling: 0 K, superheating: 10 K)*															
Model	To [°C]	-20		-15		-10		-5		0		+5		+10	
	Tamb [°C]	Qe [kW]	P [kW]	Qe [kW]	P [kW]	Qe [kW]	P [kW]	Qe [kW]	P [kW]	Qe [kW]	P [kW]	Qe [kW]	P [kW]	Qe [kW]	P [kW]
BASICLine E14B	27	-	-	0,95	0,62	1,20	0,66	1,49	0,71	1,80	0,75	-	-	-	-
	32	-	-	0,94	0,67	1,17	0,71	1,44	0,75	1,74	0,80	-	-	-	-
	38	-	-	0,88	0,72	1,09	0,76	1,34	0,80	1,62	0,86	-	-	-	-
	43	-	-	-	-	1,01	0,80	1,24	0,85	1,50	0,91	-	-	-	-
BASICLine E22B	27	-	-	1,40	0,87	1,81	0,95	2,25	1,02	2,73	1,10	-	-	-	-
	32	-	-	1,31	0,90	1,68	0,98	2,08	1,06	2,52	1,14	-	-	-	-
	38	-	-	1,17	0,92	1,49	1,00	1,85	1,09	2,25	1,19	-	-	-	-
	43	-	-	-	-	1,33	1,03	1,66	1,13	2,03	1,24	-	-	-	-
BASICLine E26B	27	-	-	1,67	1,05	2,17	1,14	2,70	1,22	3,28	1,32	-	-	-	-
	32	-	-	1,56	1,07	2,00	1,16	2,49	1,25	3,02	1,35	-	-	-	-
	38	-	-	1,36	1,09	1,76	1,18	2,21	1,28	2,69	1,39	-	-	-	-
	43	-	-	-	-	1,55	1,19	1,97	1,30	2,42	1,42	-	-	-	-
BASICLine E33B	27	-	-	2,14	1,29	2,70	1,42	3,30	1,55	3,94	1,70	-	-	-	-
	32	-	-	2,00	1,32	2,50	1,46	3,05	1,59	3,63	1,76	-	-	-	-
	38	-	-	1,77	1,35	2,22	1,49	2,71	1,64	3,24	1,82	-	-	-	-
	43	-	-	-	-	1,99	1,52	2,44	1,68	2,95	1,88	-	-	-	-
BASICLine E34B	27	2,62	1,54	3,18	1,65	3,80	1,77	4,52	1,90	5,32	2,04	6,21	2,19	7,20	2,36
	32	2,46	1,65	2,99	1,77	3,58	1,90	4,25	2,04	5,00	2,19	5,84	2,36	6,78	2,54
	38	2,24	1,81	2,73	1,94	3,28	2,08	3,90	2,24	4,60	2,41	5,38	2,59	6,25	2,79
	43	2,03	1,96	2,49	2,11	3,01	2,26	3,59	2,43	4,24	2,62	4,97	2,81	-	-
BASICLine E42B	27	3,20	1,66	3,89	1,77	4,68	1,89	5,58	2,02	6,61	2,16	7,77	2,31	9,07	2,46
	32	3,02	1,78	3,67	1,90	4,42	2,04	5,27	2,17	6,24	2,32	7,34	2,48	8,57	2,65
	38	2,77	1,95	3,38	2,08	4,08	2,23	4,87	2,38	5,77	2,54	6,80	2,72	7,94	2,90
	43	2,52	2,11	3,11	2,26	3,77	2,41	4,51	2,58	5,36	2,76	6,32	2,95	7,41	3,15
BASICLine E46B	27	3,61	1,84	4,38	1,97	5,27	2,11	6,27	2,26	7,41	2,42	8,68	2,60	10,10	2,78
	32	3,40	1,98	4,14	2,12	4,97	2,27	5,91	2,43	6,98	2,61	8,19	2,79	9,53	2,99
	38	3,11	2,16	3,80	2,32	4,58	2,48	5,45	2,66	6,45	2,86	7,57	3,06	8,83	3,29
	43	2,83	2,35	3,48	2,52	4,21	2,70	5,04	2,89	5,97	3,10	7,02	3,33	8,21	3,57
BASICLine P56B	27	3,79	2,43	4,75	2,52	5,89	2,62	7,19	2,73	8,63	2,86	10,19	3,00	11,85	3,16
	32	3,38	2,71	4,29	2,80	5,37	2,90	6,60	3,02	7,97	3,16	9,45	3,30	11,03	3,46
	38	2,92	3,10	3,77	3,19	4,78	3,30	5,93	3,43	7,22	3,56	8,61	3,71	10,09	3,87
	43	2,56	3,49	3,36	3,58	4,31	3,69	5,40	3,81	6,62	3,95	7,93	4,10	-	-
BASICLine P67B	27	4,40	2,80	5,51	2,92	6,83	3,06	8,33	3,22	9,98	3,39	11,77	3,59	13,66	3,81
	32	3,90	3,12	4,96	3,25	6,21	3,39	7,64	3,56	9,22	3,74	10,93	3,95	12,75	4,17
	38	3,35	3,59	4,33	3,71	5,51	3,86	6,85	4,03	8,35	4,22	9,97	4,43	11,70	4,66
	43	2,92	4,05	3,85	4,17	4,96	4,32	6,23	4,49	7,65	4,68	-	-	-	-
BASICLine P83B	27	5,19	3,78	6,49	3,97	8,02	4,20	9,74	4,46	11,63	4,76	13,65	5,08	15,77	5,44
	32	4,59	4,23	5,82	4,44	7,27	4,67	8,92	4,95	10,73	5,26	12,66	5,60	14,70	5,97
	38	3,92	4,89	5,07	5,10	6,43	5,34	7,98	5,63	9,68	5,94	-	-	-	-
	43	3,39	5,54	4,47	5,75	5,76	5,99	-	-	-	-	-	-	-	-

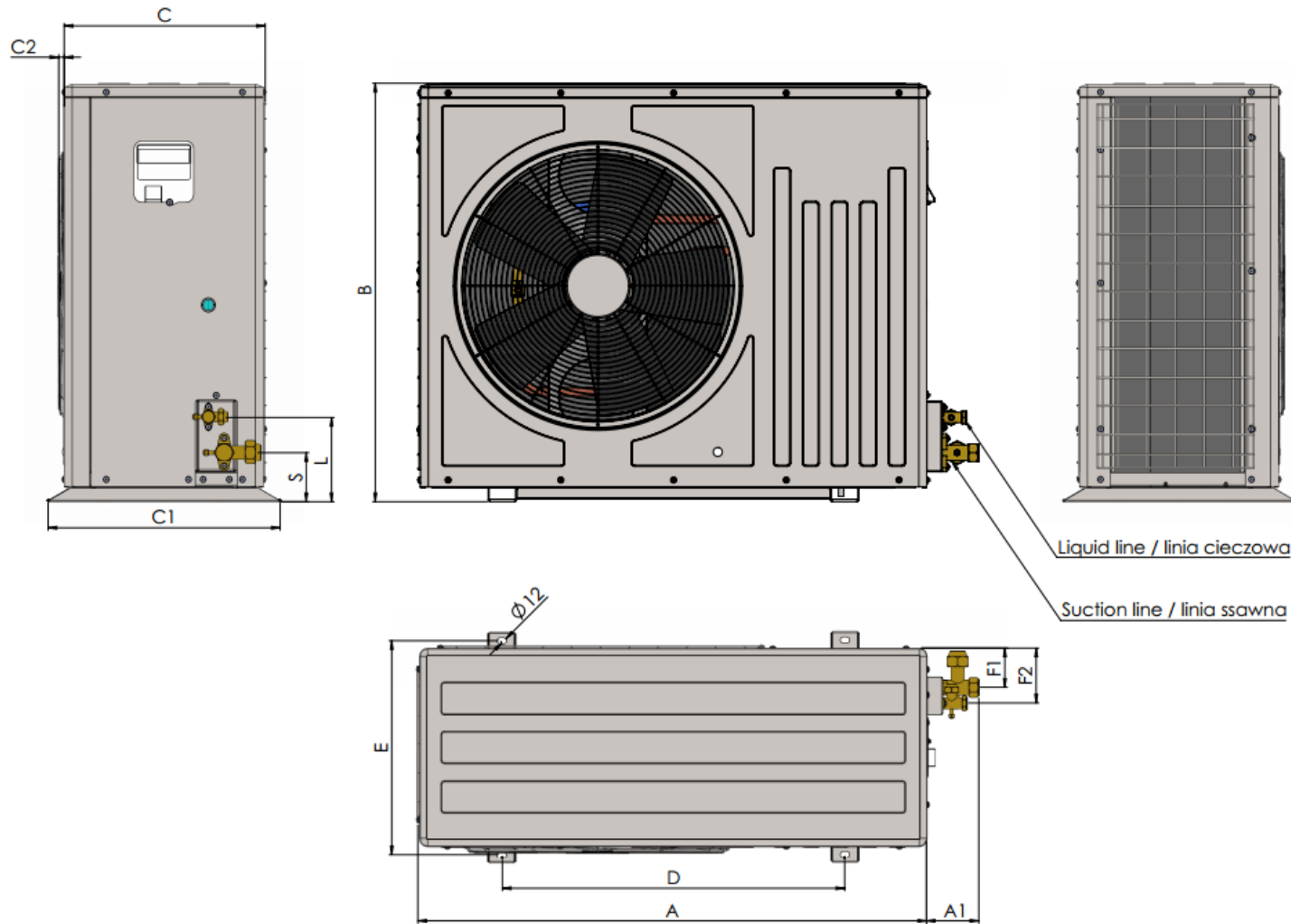
(*) AREA COOLING SOLUTIONS Sp. z o.o. reserves the right to make changes in all or part of performance data inside this documentation without any prior notice. All rights reserved.

6. Units drawings

6.1. BASICLine GXX & EXX (piston)



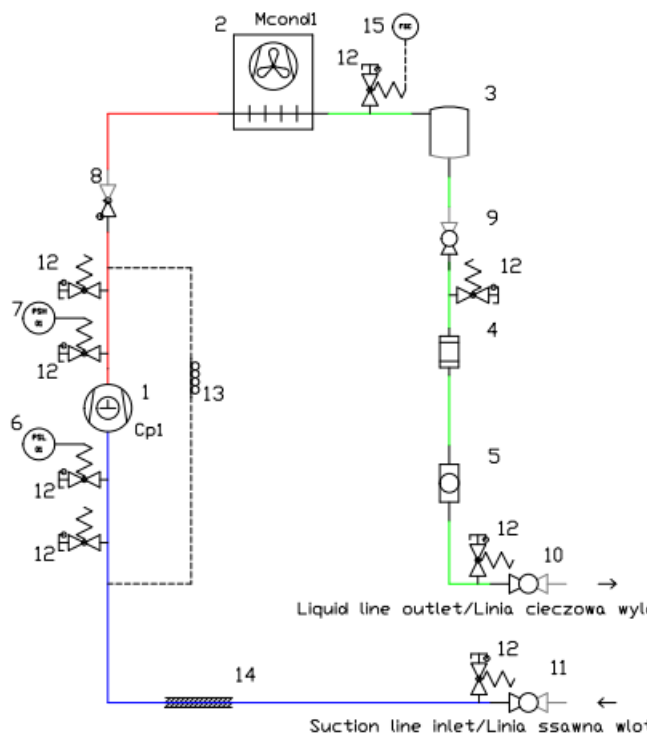
6.2. BASICLine PXX & EXX (scroll)



A	975	mm
A1	101	mm
B	802	mm
C	385	mm
C1	445	mm
C2	11	mm
D	656	mm
E	410	mm
F1	75	mm
F2	105	mm
S	94	mm
L	161	mm

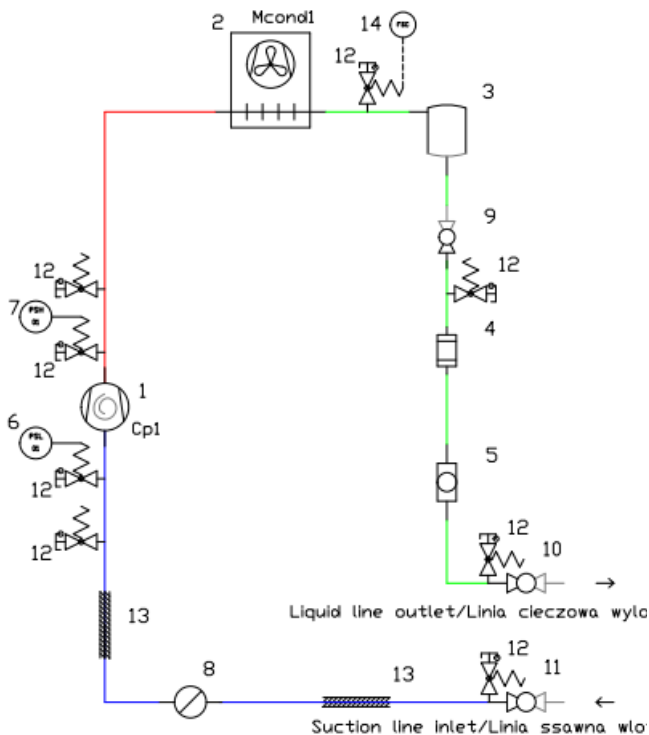
7. Schematic diagrams

7.1. BASICLine GXXA



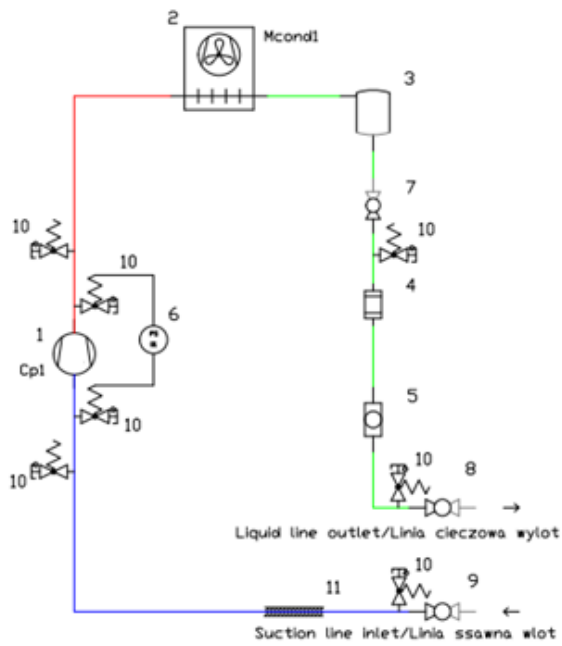
No.	Component
1	Compressor
2	Condenser
3	Liquid receiver
4	Filter drier
5	Sight glass
6	LP mini pressure switch
7	HP mini pressure switch
8	Check valve
9	Ball valve
10	Shut off valve
11	Shut off valve
12	Schrader valve
13	Capillary tube
14	Thermal insulation
15	Fan speed controller

7.2. BASICLine PXXA



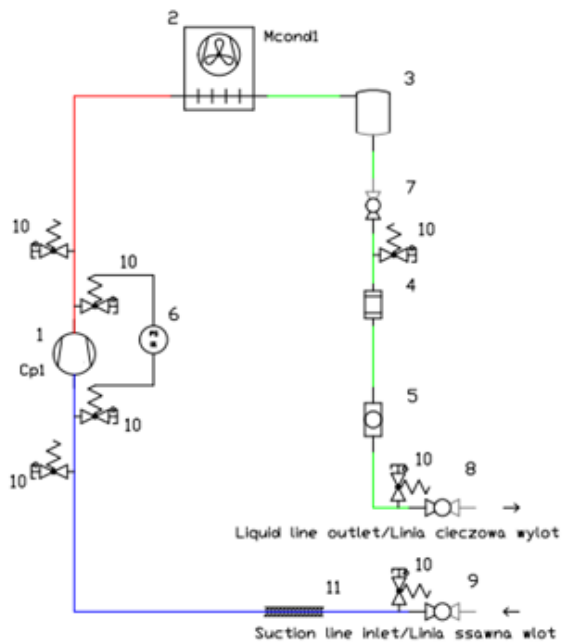
No.	Component
1	Compressor
2	Condenser
3	Liquid receiver
4	Filter drier
5	Sight glass
6	LP mini pressure switch
7	HP mini pressure switch
8	Suction accumulator
9	Ball valve
10	Shut off valve
11	Shut off valve
12	Schrader valve
13	Thermal insulation
14	Fan speed controller

7.3. BASICLine EXXA



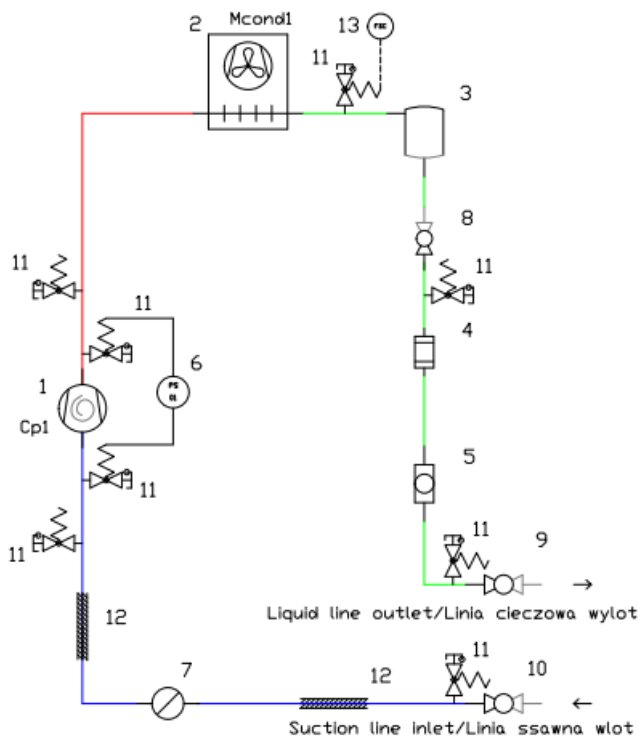
No.	Component
1	Compressor
2	Condenser
3	Liquid receiver
4	Filter drier
5	Sight glass
6	LP/HP pressure switch
7	Ball valve
8	Shut off valve
9	Shut off valve
10	Schrader valve
11	Thermal insulation

7.4. BASICLine EXXB



No.	Component
1	Compressor
2	Condenser
3	Liquid receiver
4	Filter drier
5	Sight glass
6	LP/HP pressure switch
7	Ball valve
8	Shut off valve
9	Shut off valve
10	Schrader valve
11	Thermal insulation
12	Fan speed controller

7.5. BASICLine PXXB



No.	Component
1	Compressor
2	Condenser
3	Liquid receiver
4	Filter drier
5	Sight glass
6	LP/HP pressure switch
7	Suction accumulator
8	Ball valve
9	Shut off valve
10	Shut off valve
11	Schrader valve
12	Thermal insulation
13	Fan speed controller

Adresy

ul. Relaksowa 27

55-080 Nowa Wieś Wroclawska

Polska

Tel: +48 71 354 56 24

Fax: +48 71 354 56 22

area@area.pl

export@area.pl



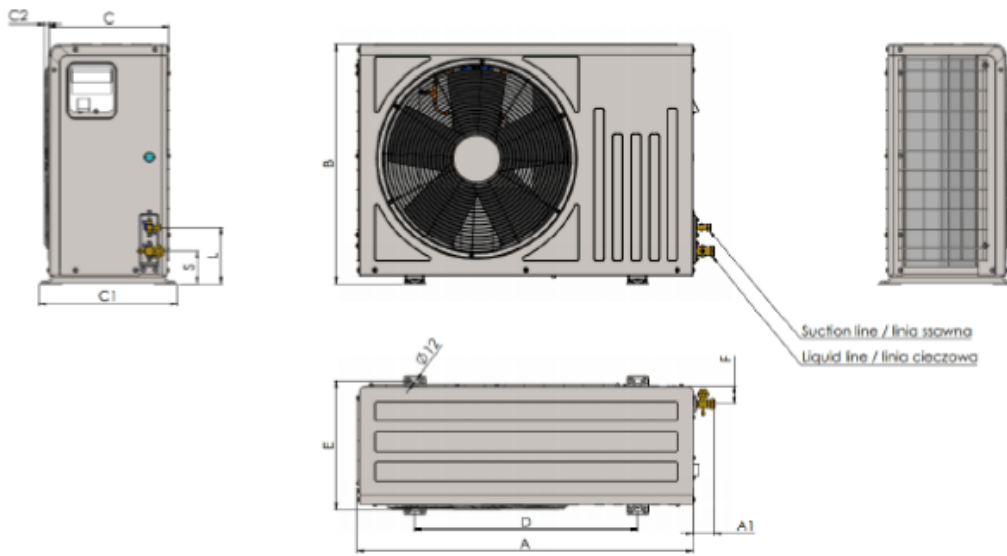
www.area.es

www.area.pl

www.areacooling.fr

www.areacooling.co.uk

www.areacooling.de



A	851	mm
A1	54	mm
B	604	mm
C	304	mm
C1	350	mm
C2	11	mm
D	564	mm
E	323	mm
F	46	mm
S	143	mm
L	83	mm