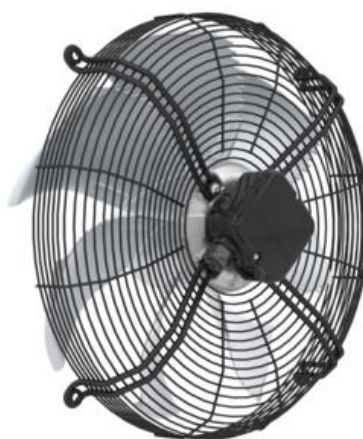


Movement by Perfection



The Royal League in **ventilation**, control and drive technology



[Product documentation](#)

Type  
**FN045-4EK.4I.V7P1**

Article number  
**167804**

## Product documentation

Customer

ZIEHL-ABEGG Contact

-

Project

-

ZIEHL-ABEGG Subsidiary

Italy

ZIEHL-ABEGG Italia S.r.l.

Via Primo Maggio 10

30031 DOLO (VE)

ITALY

Phone +39 041 5130-311

Fax +39 041 5131-953

[www.ziehl-abegg.it](http://www.ziehl-abegg.it)

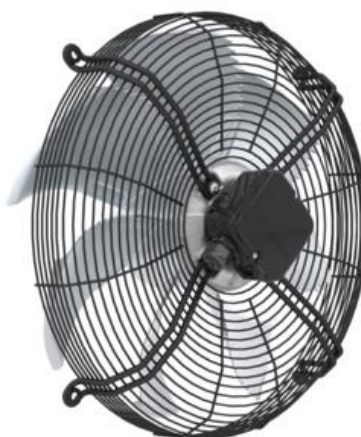
[info@ziehl-abegg.it](mailto:info@ziehl-abegg.it)

Type

**FN045-4EK.4I.V7P1**

Article number

167804



### Contents

1.	Product specification - Technical data	3
2.	Characteristic Curve	4
3.	Drawing	5
4.	Connection diagram	6
5.	EU-Declaration of conformity	7

## 1. Product specification - Technical data

<b>Article number</b>	167804
<b>Type</b>	FN045-4EK.4I.V7P1
<b>Designation</b>	Axial fan with sickle blades
<b>Rated values</b>	1~230V ±10% 50Hz P <sub>1</sub> 0.60kW 2.9A ΔI=25% 1390/min 14.0uF/400V 70°C
<b>Electrical connection</b>	Terminal box K62
<b>ErP Data</b>	Efficiency $\eta_{\text{statA}}$ : 34.0 % Efficiency grade: N <sub>actual</sub> = 41.8 / N <sub>target</sub> = 40* *ErP 2015
<b>Type of protection</b>	IP54
<b>Thermal class</b>	THCL155
<b>Mounting type terminal box</b>	Mounted on Stator
<b>Min. operating temperature</b>	-25°C
<b>Connection diagram</b>	1360-104XA
<b>Rating plate</b>	1x fixed
<b>Fitting position</b>	H/Vu/Vo
<b>Motor protection</b>	thermal contact
<b>Impregnation</b>	Moisture and hot climate protection
<b>Condensation</b>	Condensation water holes in stator/rotor open
<b>Quality of bearings</b>	ball bearing with long-time lubrication
<b>Material Rotor</b>	Aluminium
<b>Painting rotor</b>	unpainted
<b>Material blades</b>	Aluminium
<b>Painting impeller</b>	unpainted
<b>Guard grille type</b>	ring grill
<b>Painting mot.suspens colour suspension</b>	Motor suspension powder-coated consistency class 2 RAL 9005 (jet black)
<b>Weight</b>	12.60kg

## 2. Characteristic Curve

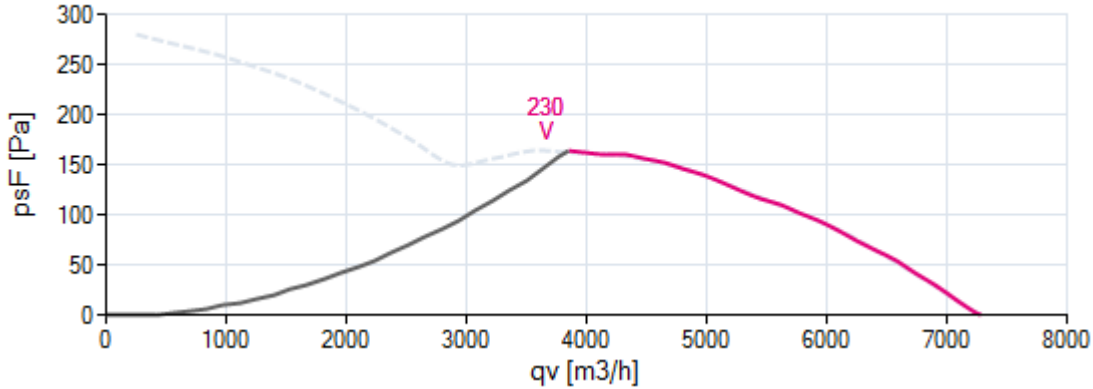
FN045-4EK.4I.V7P1

Measured in full nozzle without guard grille in air flow direction V in installation type A according to ISO5801

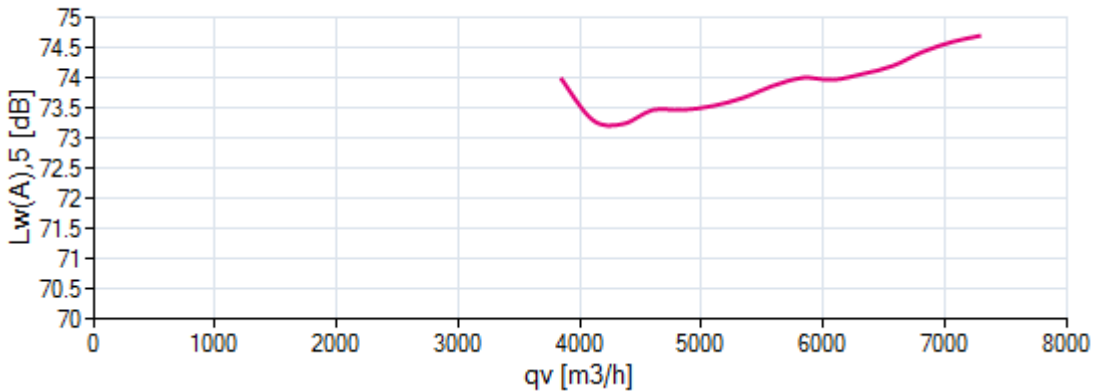
1~ 230V 50Hz

measurement density 1,16 kg/m<sup>3</sup>

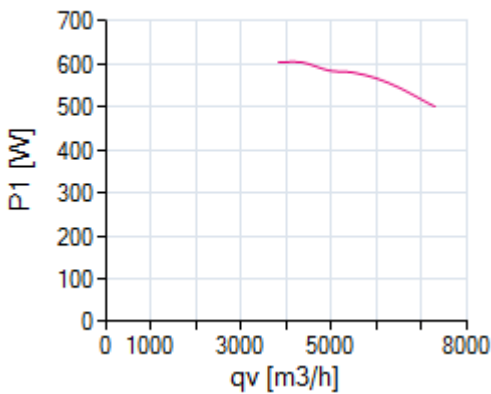
### Air performance



### Acoustics



### Power input



Please note: It's not allowed to use this fan in the stall area!\*

\*In doubt please ask your responsible ZIEHL-ABEGG sales contact.



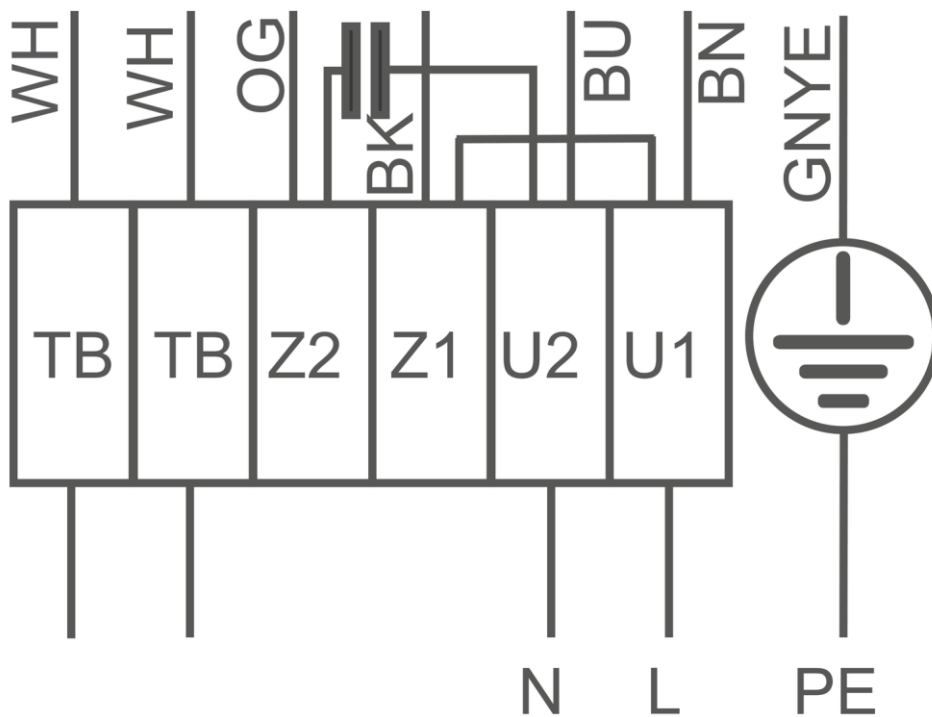
### 4. Connection diagram

#### 1360-104XA

1~Motor with capacitor and thermostatic switch (if built in).

BN brown  
BU blue  
BK black  
OG orange  
WH white  
GNYE green-yellow

Clockwise rotation



## 5. EU-Declaration of conformity

### EU declaration of conformity

- Translation -  
(english)

ZA75-GB 1910 Index 015

**Manufacturer:**  
ZIEHL-ABEGG SE  
Heinz-Ziehl-Straße  
74653 Künzelsau  
Germany

**The manufacturer is solely responsible for issuance of the declaration of conformity.**

#### The products:

- External rotor motor MK..., MW..
- Axial fan DN..., FA..., FB..., FC..., FE..., FF..., FG..., FH..., FL..., FN..., FS..., FT..., FV..., VN..., VR..., ZC..., ZF..., ZG..., ZN..
- Centrifugal fan ER..., GR..., RA..., RD..., RE..., RF..., RG..., RH..., RK..., RM..., RR..., RZ..., WR..
- Cross-flow fan QG..., QK..., QR..., QT..

#### The motor type:

- Asynchronous internal or external rotor motor
- Asynchronous internal or external rotor motor with integrated frequency inverter
- Electronically commutated internal or external rotor motor
- Electronically commutated internal or external rotor motor with integrated EC controller

#### These products comply with the following EU directives:

- EMC Directive 2014/30/EU
- Low Voltage Directive 2014/35/EU
- ErP Directive 2009/125/EC, in conjunction with Regulation (EU) no. 327/2011

#### The following harmonised standards have been used:

EN 60034-1:2010 + Cor.:2010                      EN 61000-6-3:2007 + A1:2011 + AC:2012  
EN 60204-1:2006 + A1:2009 + AC:2010        EN 61000-6-2:2005 + AC:2005  
EN 60529:1991 + A1:2000 + A2:2013

Compliance with the ErP Directive 2009/125/EC does not refer to external rotor motors MK..., MW..

All ErP-relevant information comprises measurements which are determined using a standardised measurement set-up. More details can be obtained from the manufacturer.

Compliance with the EMC Directive 2014/30/EU refers only to those products when they are connected by mounting / operating instructions. If these products are integrated into a system or supplemented with other components (e.g. sensing controls) and operated, the manufacturer or operator is responsible of the overall system for compliance with the EMC Directive 2014/30/EU.

Künzelsau, 05.03.2019  
(location, date of issue)

ZIEHL-ABEGG SE  
Dr. W. Angelis  
Technical Director Air Movement Division  
(name, function)

(Signature)

ZIEHL-ABEGG SE  
Dr. D. Kappel  
Deputy Head of Electrical Systems  
(name, function)

(Signature)

**ZIEHL-ABEGG** 



## EC Declaration of Incorporation

as defined by the EC Machinery Directive 2006/42/EC, Annex II B

The design of the incomplete machine:

- Axial fan FA..., FB..., FC..., FE..., FF..., FG..., FS..., FT..., FH..., FL..., FN..., FV..., DN..., VR..., VN..., ZC..., ZF..., ZG..., ZN...
- Centrifugal fan RA..., RD..., RE..., RF..., RG..., RH..., RK..., RM..., RR..., RZ..., GR..., ER..., WR...
- Cross-flow fan QK..., QR..., QT..., QD..., QG...

Motor type:

- Induction internal or external rotor motor (also with integrated frequency inverter)
- Electronically commutated internal or external rotor motor (also with integrated EC controller)

complies with the requirements in Appendix I, Articles 1.1.2, 1.1.5, 1.4.1, 1.5.1 in EG Machinery Directive 2006/42/EG.

Manufacturer

ZIEHL-ABEGG SE  
Heinz-Ziehl-Strasse  
D-74653 Künzelsau

The following harmonised standards have been used:

EN 60204-1:2006+A1:2009	Safety of machinery; electrical equipment of machines; Part 1: General requirements
EN ISO 12100:2010	Safety of machinery - General principles for design - Risk assessment and risk reduction
EN ISO 13857:2008	Safety of machinery; safety distances to prevent danger zones being reached by the upper limbs
Note:	The maintenance of the EN ISO 13857:2008 relates only to the installed accidental contact protection, provided that it is part of the scope of delivery.

The specific technical documentation in accordance with Appendix VII B has been written and is available in its entirety.

The person authorised for compiling the specific technical documentation is: Dr. W. Angelis, address see above. The specific documentation will be transmitted to the official authorities on justified request. The transmission can be electronic, on data carriers or on paper. All industrial property rights remain with the above-mentioned manufacturer.

**It is prohibited to commission this incomplete machine until it has been secured that the machine into which it was incorporated complies with the stipulations of the EC Machinery Directive.**

Künzelsau, 12.12.2017

Dr. W. Angelis - Technical Director Ventilation Division

*Dr. W. Angelis*





The Royal League in ventilation, control and drive technology

## Intelligent control technology for any application

**ZIEHL-ABEGG system capabilities:**  
Everything from a single source – perfectly matched for optimal performance

Please contact us. We would be pleased to design an individual solution for your requirements.

We would like to welcome you on our worldwide exhibitions. Please find our next exhibitions [here](#).