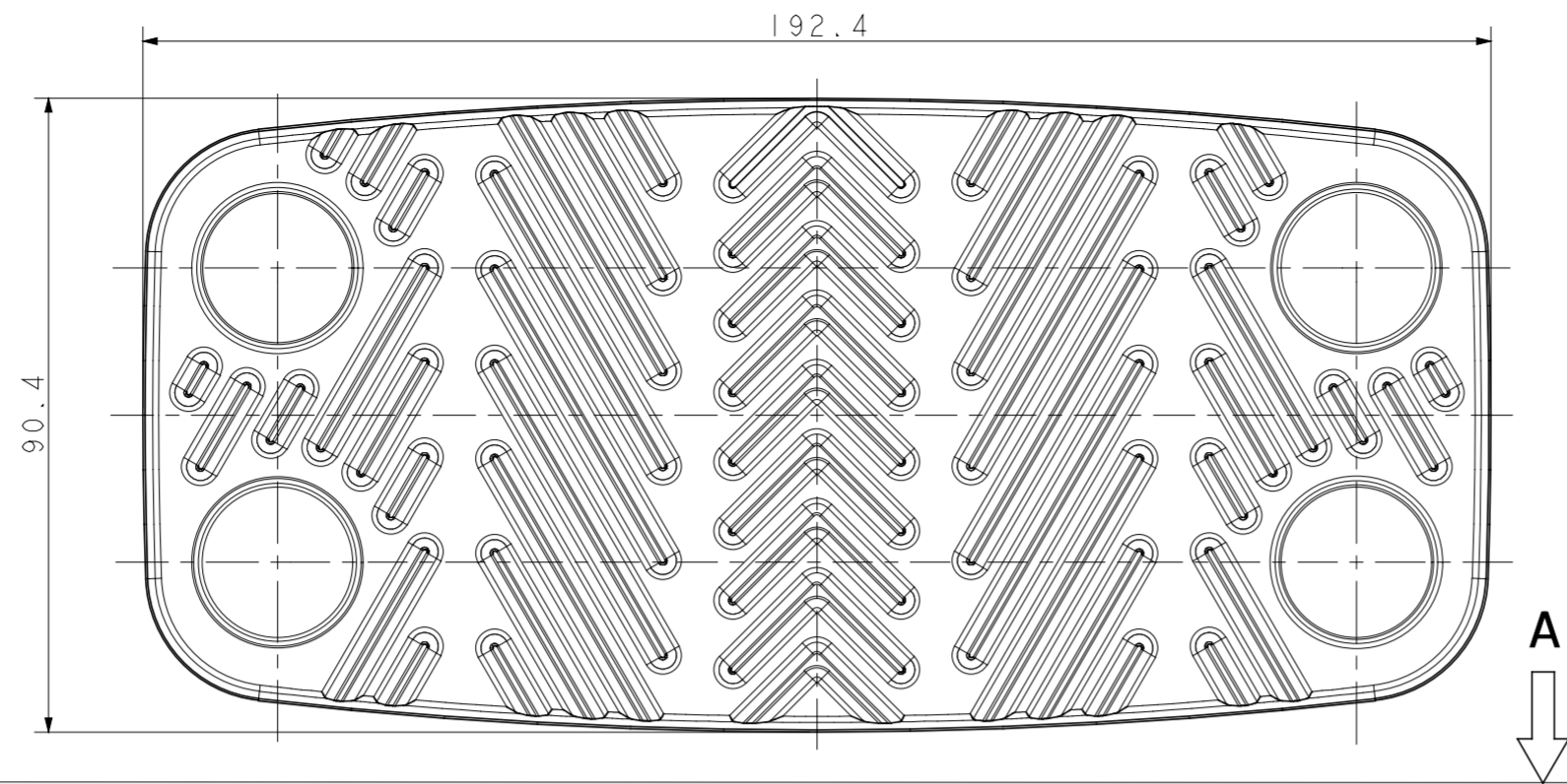
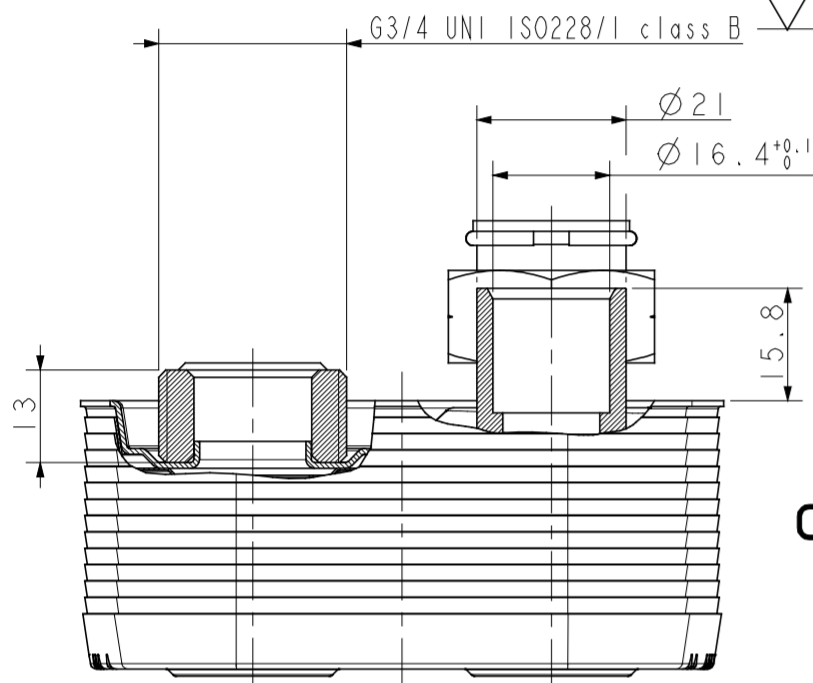


VIEW B - B

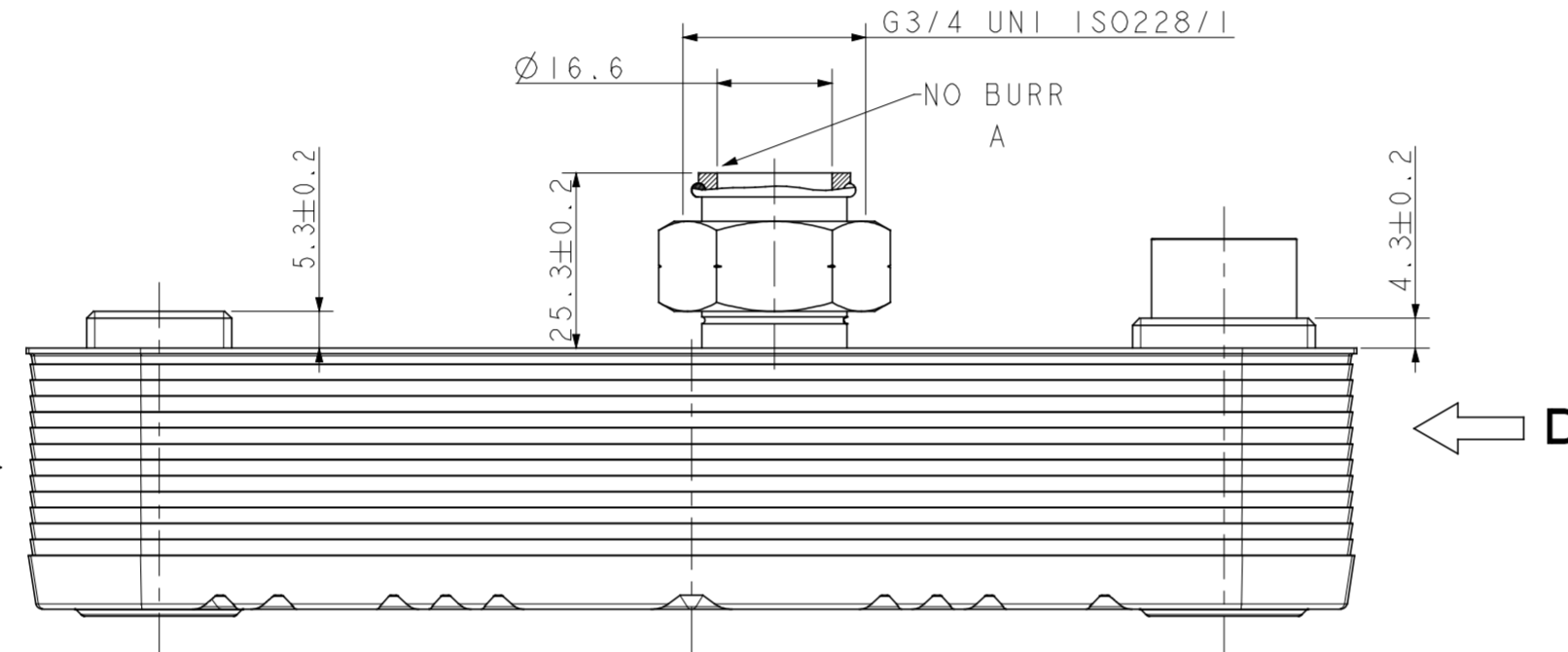


A

A

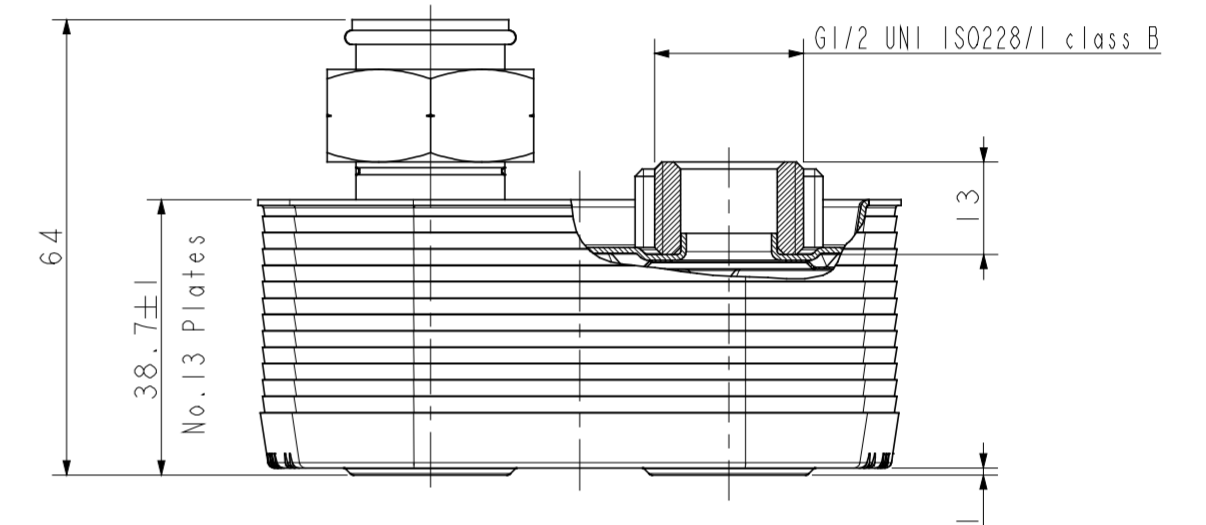
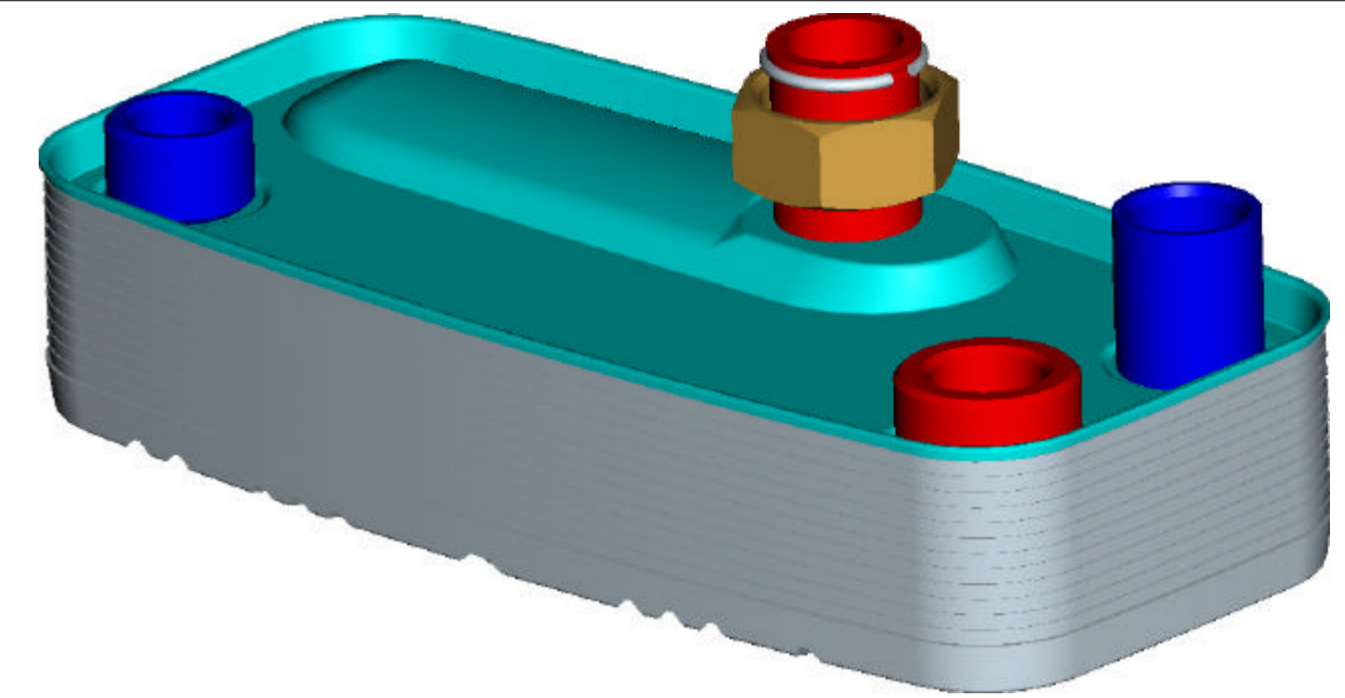


VIEW D - D



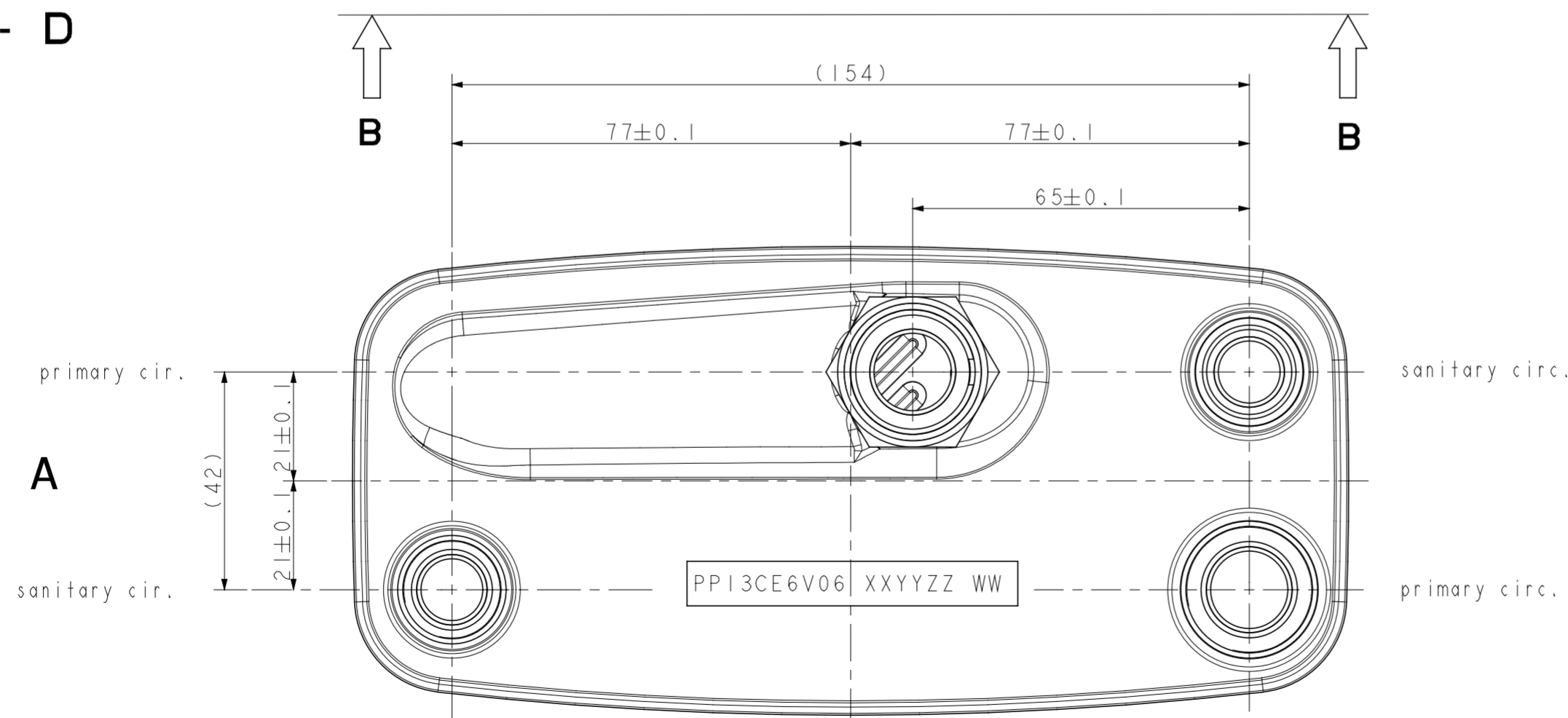
C

D



VIEW C - C

VIEW A - A



- MATERIALS**
- Keep Plate : X5CrNi 18-10 UNI EN 10088-2 (AISI304)
 - Flow Fins Plates : X2CrNiMo 17-12-2 UNI EN 10088-2 (AISI316L)
 - Final plate : X5CrNi 18-10 UNI EN 10088-2 (AISI304)
 - Connections : X5CrNi 18-10 UNI EN 10088-2 (AISI 304) or X8CrNiS 18-9 UNI EN 10088-2 (AISI 303) as available
 - Nut : EN12165 - CW617N
 - Copper Plate : Cu 99.9 %

TECHNICAL CHARACTERISTIC
 Test conditions : 15 bar sanitary circuit
 : 4.5 bar primary circuit

Maximum working conditions : 10 bar sanitary circuit
 : 3 bar primary circuit

PP13CE6V06 XXYYZZ WW
 CODE NUMBER LOT
 YEAR
 MONTH
 DAY

A	Added NO BURR and deleted 1x45° on the connection	02/04/08	G.P.
REV.(ISSUE)	DESCRIZIONE (DESCRIPTION)	DATA (DATE)	DIS.(DRW)
DESCRIZIONE (DESCRIPTION) PLATE HEAT EXCHANGER type PCE13 (cross flow)		Ra SCALA (SCALE) 1 : 1 DATA (DATE) 30/07/07 CLIENTE (CUSTOMER) DISEGNATORE (DRW) G.P. VERIFICATO (VERIFIED)	
MATERIALE (MATERIAL)		APPROVATO UT (T. D. APPROVAL)	
TOLL. GEN. (GEN.TOLL) +0.5	FORMATO DISEGNO (DRAWING FORMAT) A2	SOSTITUISCE PPI3EV04A4	
COMPONENTI PER CALDAIE GIANNONI S.p.A. COMPONENTS FOR BOILERS		Sede legale : via G. Leopardi, 20 20123 MILANO Sede amministrativa e stabilimento: via Milano, 49/51 26866 CASTRAGA VIDARDO (LO) ITALY Tel. : 0371/215.1 Fax : 0371/217014 http : www.giannoni.it	
		SOSTITUITO DA	
		N° CODICE (CODE N°) PP13CE6V06	
		N° DISEGNO (DRW N°) TIPO STATO NUMERO PF DF 11981	

IL PRESENTE DISEGNO NON POTRA' ESSERE UTILIZZATO RIPRODOTTO O TRASMESSO A TERZI SENZA IL NOSTRO CONSENSO SCRITTO
 THIS DRAWING CANNOT BE USED, REPRODUCED, TRANSFERRED TO OTHER PEOPLE WITHOUT OUR WRITTEN PERMISSION