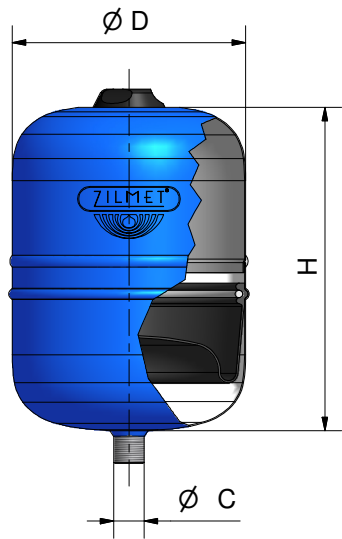




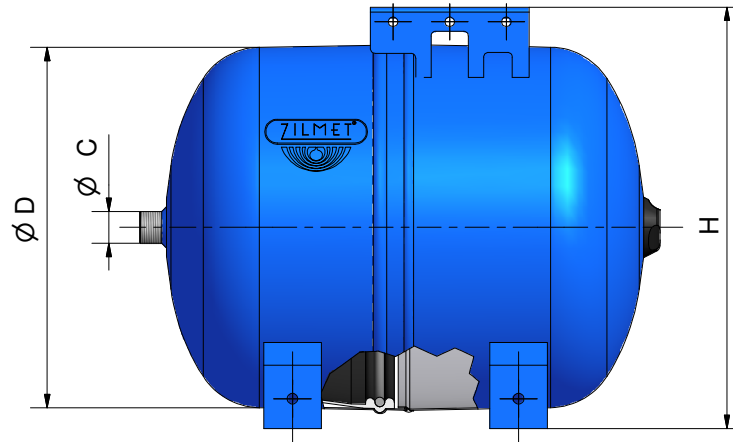
Technical drawing HYDRO PRO

This drawing is property of company Zilmet S.p.A.
All rights reserved

2 ÷ 35 litres



24 - 50 litres H



50 ÷ 600 litres

