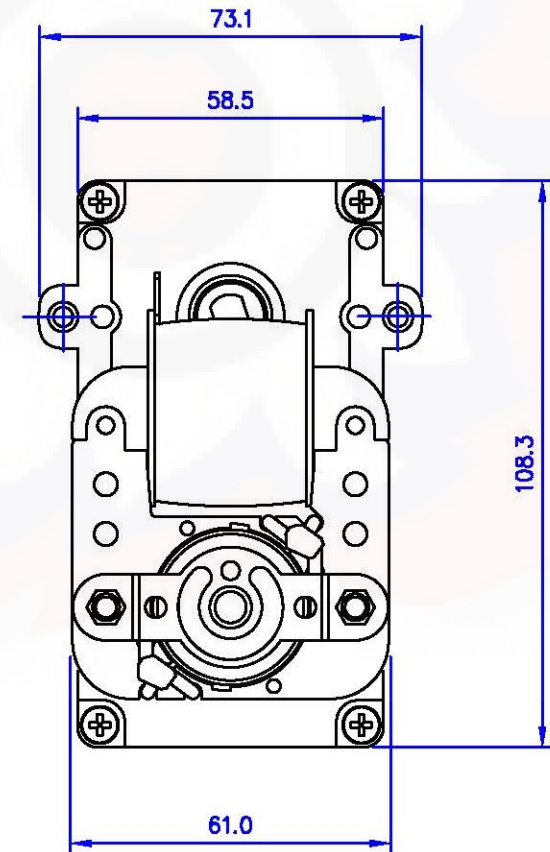
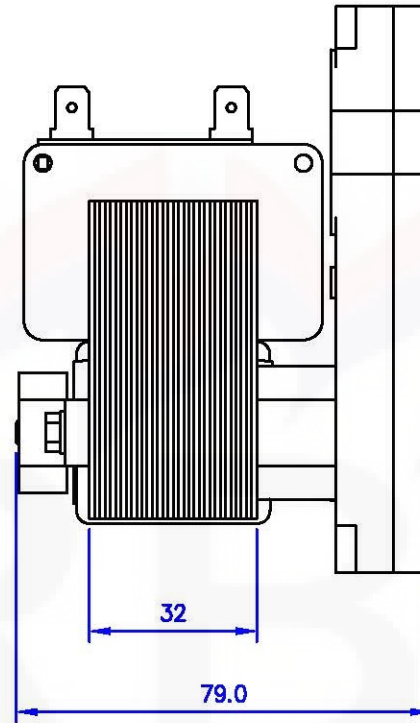


GEARBOX COVER
TAPPED M4
2 POSITIONS



MELLOR

KB1008

T14 5RPM 230v 50Hz

INPUT POWER @ 230v 50Hz – 26WATTS
 NOMINAL CURRENT @ 230v 50Hz – 0.22Amps
 STALLED CURRENT @ 230v 50Hz – 0.35Amps
 OUTPUT TORQUE @ 230v 50Hz – 16Nm
 TEMP. RISE – 21°C–90°C/3Hrs