



Non contractual pictures

Para 15-130/6-50/SCA



The high efficiency replacement solution of standard efficiency circulators.

Construction

Glandless circulation pump with a cast iron or composite pump housing and threaded or clipped connection. EC motor with automatic power adjustment and self-protecting modes.

Type key

Example:	Para 15-130/7-75/SCA-12
Para	Electronically controlled high-efficiency pump. Pump range adapted to requirements of the OEM market.
15-130	Nominal diameter - Pump housing length (inline cast iron)
7-75	Nominal delivery head range [m] - Power consumption [W]
SCA	SCA = self controlled pump dedicated for spare parts
12	Position of electronic module

Your advantages

- High integration flexibility due to compatibility with former standard efficiency series
- Easy boiler installation thanks to a compact and standardised design with a front access to the screws
- High EMC protection for integration in existing appliances
- Easy handling and commissioning with adjusted predefined nine constant speeds, the green push button and a LED interface
- High system protection due to integrated functionalities such as air venting, manual restart as well as return to factory settings

Technical data (type)

Approved liquids (other liquids upon request)

Heating water (as per VDI 2035)	yes
Water-glycol mixtures (max. 1:1; above 20% admixture, the pumping data must be checked)	yes
Min. fluid temperature T_{min}	-10 °C
Max. fluid temperature T_{max}	95 °C
Min. ambient temperature T_{min}	-10.0 °C
Max. ambient temperature T_{max}	70.0 °C
Maximum operating pressure P_N	10 bar

Min. suction head (to avoid cavitation at suction port at water pumping temperature)

Minimum suction head at 50 °C m	0.5 m
Minimum suction head at 95 °C m	4.5 m

Motor data

Energy efficiency index (EEI)	≤ 0.20
-------------------------------	--------

Pump operation in high ambient / fluid temperature may affect hydraulic performance. 0°C or negative water temperature implies to have adapted frost protection mixture. For further information please contact Wilo.

Technical data (type)

Mains connection	1~230V +10/-15%, 50/60Hz
Approvals and markings	CE / EAC / UA / UKCA
Insulation class	F
Motor protection	integrated
Power consumption P_{1min}	8 W
Power consumption P_{1max}	50 W
Max current I_{max}	0.44 A
Protection class	IPX4D
Power consumption in standby mode P_I	≤ 0.5 W

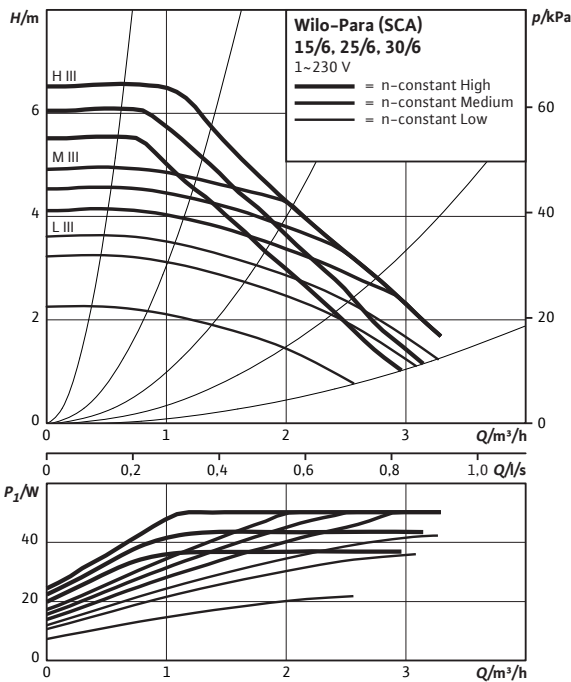
Materials

Pump housing	Cast iron with cataphoresis treatment
Impeller	PP-GF40
Shaft	Stainless steel
Bearing	Carbon

Pump operation in high ambient / fluid temperature may affect hydraulic performance. 0°C or negative water temperature implies to have adapted frost protection mixture. For further information please contact Wilo.

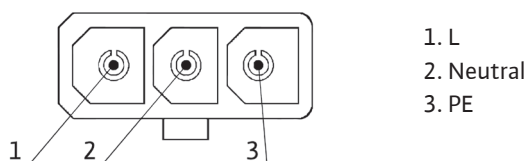
Pump curve

Wilo-Para (SCA) 15/6, 25/6, 30/6



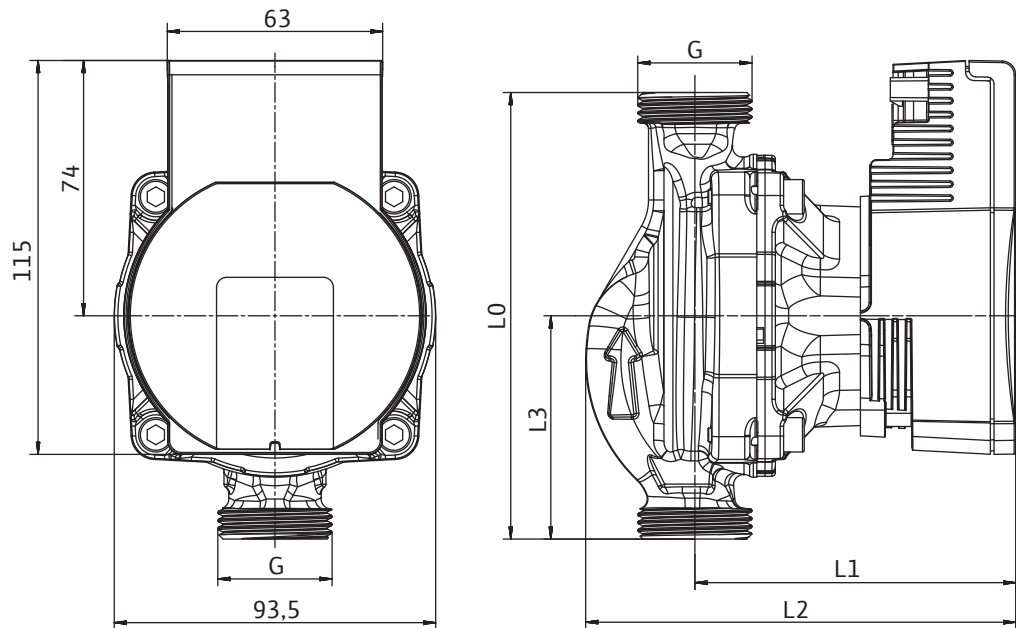
Connector diagram

Power – Integrated 3-way connector type Molex 5025-03 for plug Facon PR60 or equivalent



Dimension drawing (variable)

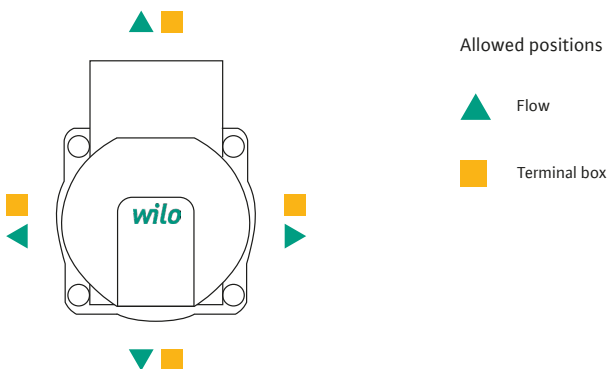
Wilo-Para RS SC



Technical data				
Name	Para 15-130/6-50/SCA	Para 25-130/6-50/SCA	Para 25-180/6-50/SCA	Para 30-180/6-50/SCA
Connection input	G 1		G 1½	G 2
Connection output	G 1		G 1½	G 2
Port-to-port length <i>L0</i>	130 mm			180 mm
Dimensions <i>L1</i>	94 mm			
Dimensions <i>L2</i>	125 mm		127 mm	
Dimensions <i>L3</i>	65 mm			90 mm
Gross weight, approx. <i>m</i>	1.5 kg	1.7 kg	1.8 kg	1.9 kg

Flow and terminal box orientations

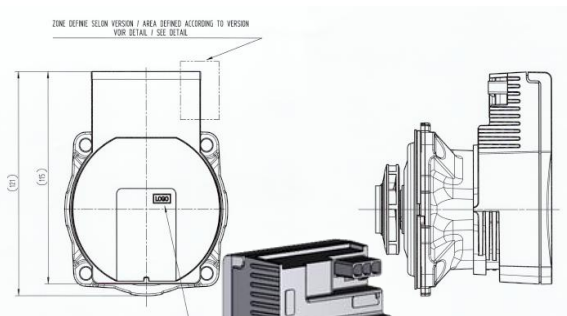
The flow direction and the position of the terminal box can be independently specified



Wilo Para 6 SCA – offerta dedicata



Circolatore OEM ricambio



Motore + girante



Cavo
alimentazione
lunghezza
1000 mm



Accessori inclusi



Viti e
guarnizioni

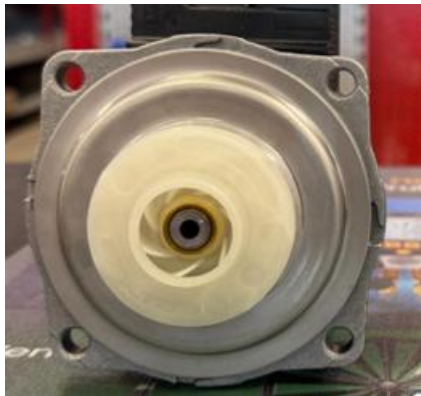


Wilo OEM ricambio– *referenze 30 mm*

Sum of Sales Quantity		Year													
Item No	Item Description	2015	2016	2017	2018	2019	2020	2021	2022	2023	2024	2025	Grand Total	Prodotto di cambiamento	
4523309	POMPA RS 15/6-KU-3-130-PR-6	2880											2880	4537299 con girante Ø30	
4523311	POMPA RS 15/5-KU-3-130-PL-12	180											180	4537299 con girante Ø30	
4525271	POMPA RS 25/6-KU-3-130-PR-6	1440											1440	4537299 con girante Ø30	
4527550	RS 25/5-3-KU-PL-130-9	190											190	4537299 con girante Ø30	
4528142	RS 25/6-3-KU-PL-9 NO CE MARK	360	180										540	4537299 con girante Ø30	
4528369	RS 15/7-3-KU-PR-6	180											180	4537299 con girante Ø30	
4528372	RS 25/7-3-KU-PR-130-6	180											180	4537299 con girante Ø30	
4530723	POMPA RS 25/6-3-PR 130 12			7840	8100	11700	9900	12960				0	50500	4537299 con girante Ø30	
4530725	POMPA RS 15/6-3-PR 130 12			1980	2880	4860	4140	5400				0	19260	4537299 con girante Ø30	
4531368	POMPA RS25/6-3 PL 180 9 con marchio CE							360				0	360	4537299 con girante Ø30	

Wilo OEM Ricambio– *diametro girante 21,5 mm& 30 mm :*

• **Girante 21,5 mm:**



• **Girante 30 mm**



Wilo OEM Ricambio– *Sommario offerta:*

- **OEM pompa ricambio offerta e vantaggi:**

- Based on proven EC pump features
- Curve di settaggio dedicate
- Riduzione delle tipologie di motore
- Scheda di protezione interferenze EMC rinforzata
- Kit di accessori (viti e guarnizioni)
- Imballo collettivo

- **Raccomandazioni speciali:**

- **Usare disegno 3D** per maggiori dettagli come controllo nell'integrazione nella caldaia
- caldaia (terminal box, motor size, ...)
- Analisi rischio** per valutare eventuali problem potenziali sul campo:
 - Gestione cavo alimentazione
 - Livello di corrente di spunto, tempo di spegnimento e durata di vita del relay
 - Comportamento EMC (es. cavo iniezione accensione caldaia)