

# Technical Data Sheet

Compressor model **MPT16LA**  
 Voltage **220-240V 50Hz ~1**  
 Refrigerant **R404A**

APPLICATION		COMPRESSOR	MOTOR
Application	Low Back Pressure	Displacement 16,15 cm <sup>3</sup>	Approximate Power 1/2 hp
Refrigerant	R404A	Diameter 31,19 mm	Voltage/Frequency 220-240V 50Hz
Evaporating Temp.	-40,0 °C to -10,0 °C	Stroke 21,13 mm	Voltage range 187-255 V
Expansion	Capillar/Valve	Net Weight 12,50 Kg	Type CSR
Comp. Cooling	Fan cooled	Oil type ISO VG 32 ESTER	Phase number 1 P
Max. ambient temp.	43,0 °C	Oil charge 450 cm <sup>3</sup>	Locked rotor current 19,00 A
			Main W. resist. at 25°C 5,30 Ω
			Start W. resist. at 25°C 8,70 Ω

## NOMINAL PERFORMANCE

	ASHRAE	CECOMAF
Cooling Capacity	765 kcal/h	593 W
COP	1,40 W/W	0,98 W/W
EER	1,20 kcal/Wh	0,85 kcal/Wh
Input Power	635 W	605 W
Current	3,04 A	2,90 A

## APPROVALS



## TEST CYCLE CONDITIONS

	ASHRAE LBP (B)	CECOMAF LBP (A)
Evaporating temp.	-23,3 °C	-25,0 °C
Condensing temp.	55,0 °C	55,0 °C
Liquid temp.	32,0 °C	55,0 °C
Ambient temp.	32,0 °C	32,0 °C
Suction temp.	32,0 °C	32,0 °C
Voltage/Frequency	220 V 50 Hz	220 V 50 Hz

## ELECTRICAL COMPONENTS

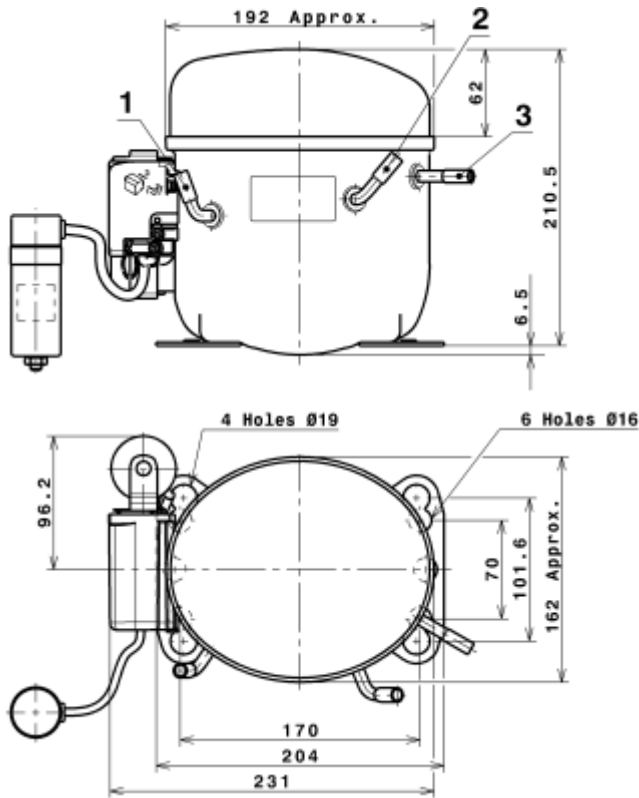
Starting capacitor	72- 88 µF 330 V		
Run capacitor	16 µF 420 V		
Relay	Option 1		
Reference	2014 158. + NTC15		
Pick-Up	9,05 A		
Drop-Out	7,70 A		
Protector	Option 1	Option 2	
Reference	MRA38145	T0266	
Current	14,90 A	11,00 A	
Time check	2,8-5,2 seg	7,5-14 seg	
Disc temp. (Open/Close)	105,00 / 52,00 °C	105,00 / 52,00 °C	

## ASHRAE

Tc	Te	Cooling Capacity kcal/h	Consumption W	Current A	COP W/W	EER kcal/Wh
40	-40	337	393	1,98	1,00	0,86
40	-35	456	441	2,18	1,20	1,03
40	-30	603	496	2,42	1,41	1,22
40	-25	776	556	2,68	1,62	1,40
40	-23,3	842	578	2,78	1,69	1,46
40	-20	977	622	2,98	1,83	1,57
40	-15	1.205	694	3,31	2,02	1,74
40	-10	1.460	772	3,67	2,20	1,89
45	-40	319	394	1,98	0,94	0,81
45	-35	436	448	2,21	1,13	0,97
45	-30	580	508	2,47	1,33	1,14
45	-25	752	573	2,76	1,53	1,31
45	-23,3	816	597	2,87	1,59	1,37
45	-20	950	645	3,08	1,71	1,47
45	-15	1.175	722	3,44	1,89	1,63
45	-10	1.428	805	3,83	2,06	1,77
50	-40	301	395	1,99	0,89	0,76
50	-35	416	454	2,24	1,06	0,92
50	-30	558	519	2,52	1,25	1,07
50	-25	727	590	2,84	1,43	1,23
50	-23,3	791	616	2,95	1,49	1,28
50	-20	923	667	3,19	1,61	1,38
50	-15	1.146	750	3,57	1,78	1,53
50	-10	1.397	839	3,99	1,94	1,67
55	-40	283	396	1,99	0,83	0,71
55	-35	396	461	2,27	1,00	0,86
55	-30	535	531	2,58	1,17	1,01
55	-25	702	608	2,92	1,34	1,16
55	-23,3	765	635	3,04	1,40	1,20
55	-20	896	690	3,29	1,51	1,30
55	-15	1.117	778	3,70	1,67	1,44
55	-10	1.365	872	4,15	1,82	1,57
60	-40	265	397	1,99	0,78	0,67
60	-35	375	467	2,30	0,93	0,80
60	-30	513	543	2,63	1,10	0,94
60	-25	677	625	2,99	1,26	1,08
60	-23,3	739	654	3,13	1,31	1,13
60	-20	869	713	3,40	1,42	1,22
60	-15	1.088	806	3,83	1,57	1,35
60	-10	1.334	906	4,31	1,71	1,47

# Technical Data Sheet

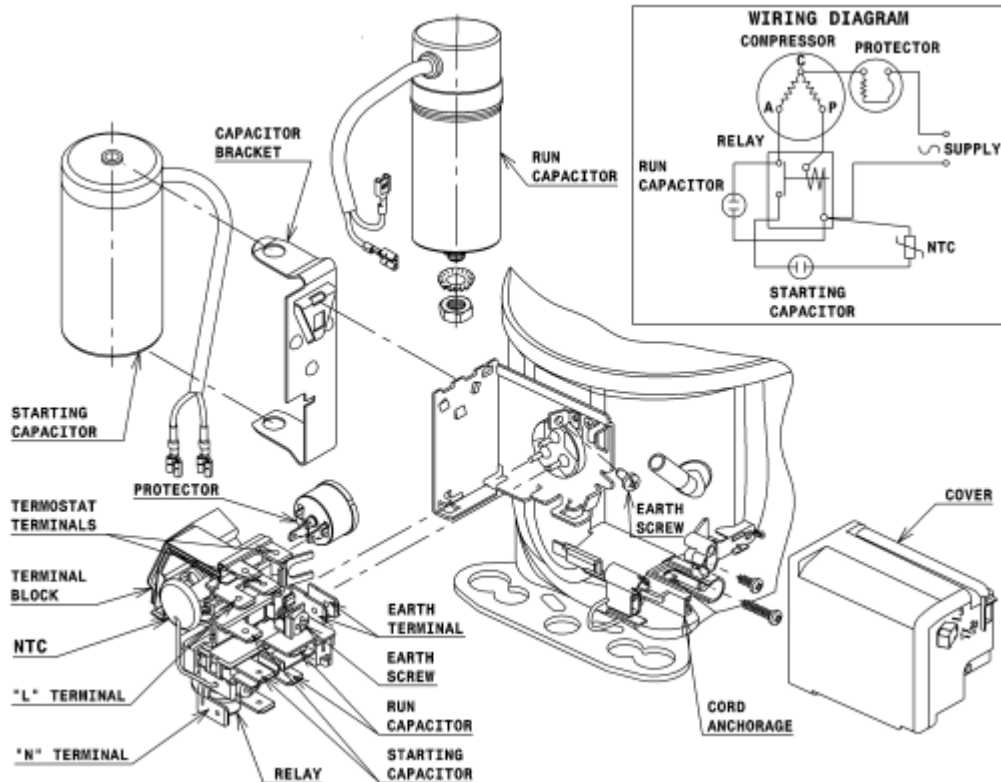
## COMPRESSOR DIMENSIONS



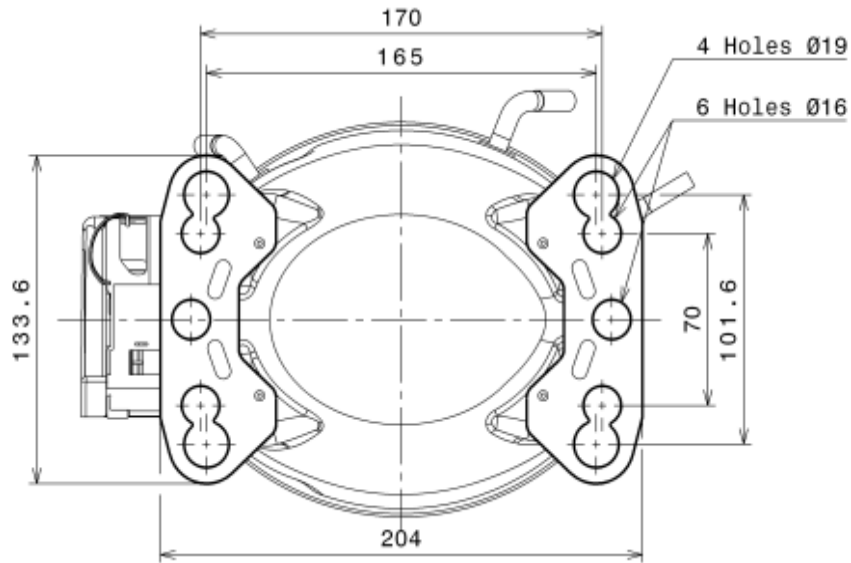
	DESIGNATION	INTERNAL DIAM.
1	Suction	8,1 mm
2	Service	8,1 mm
3	Discharge	6,5 mm

## WIRING DIAGRAMS AND ELECTRICAL ASSEMBLY

### CSR CONNECTION (CURRENT RELAY + NTC)



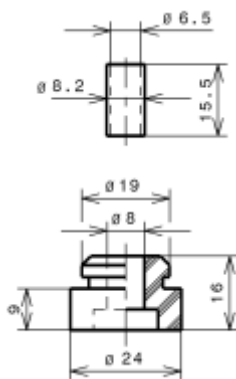
## FIXINGS



## SILENT BLOCKS (MOUNTING ACCESSORIES)

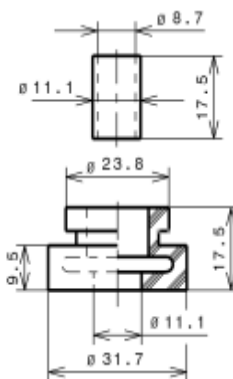
### STANDARD

D.16 holds net (170x70)



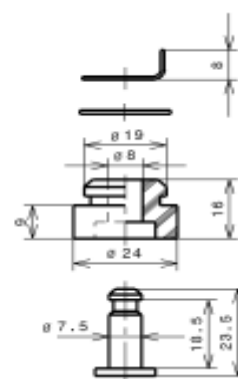
### AMERICAN FEET

D.19 (165x101.6)



### SNAP-ON

D.16 holds net (170x70)



## SOA

SOA R404A LBP

