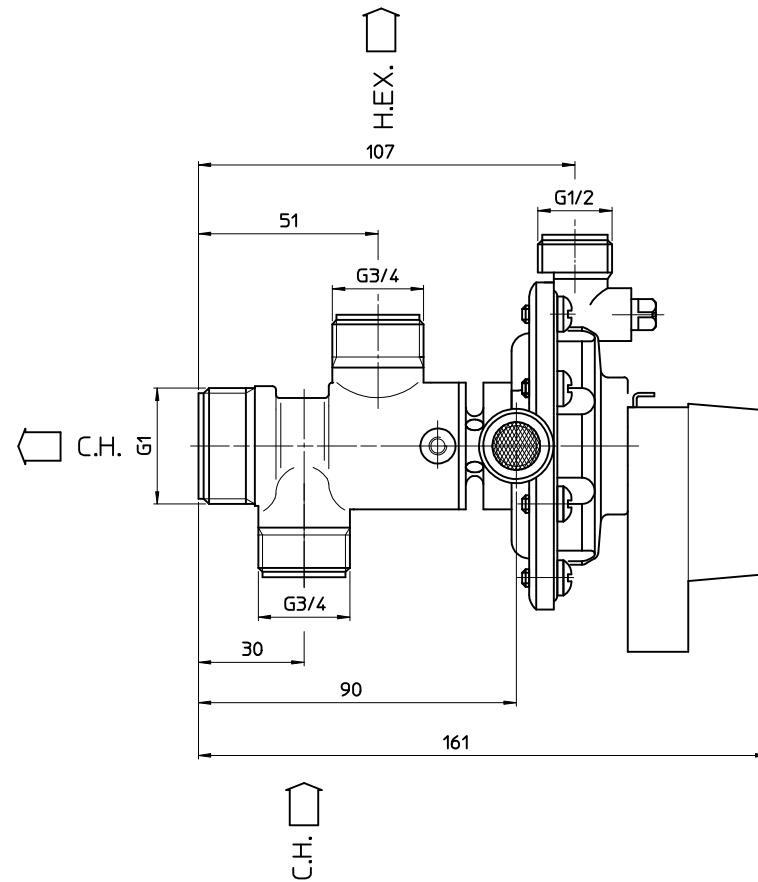
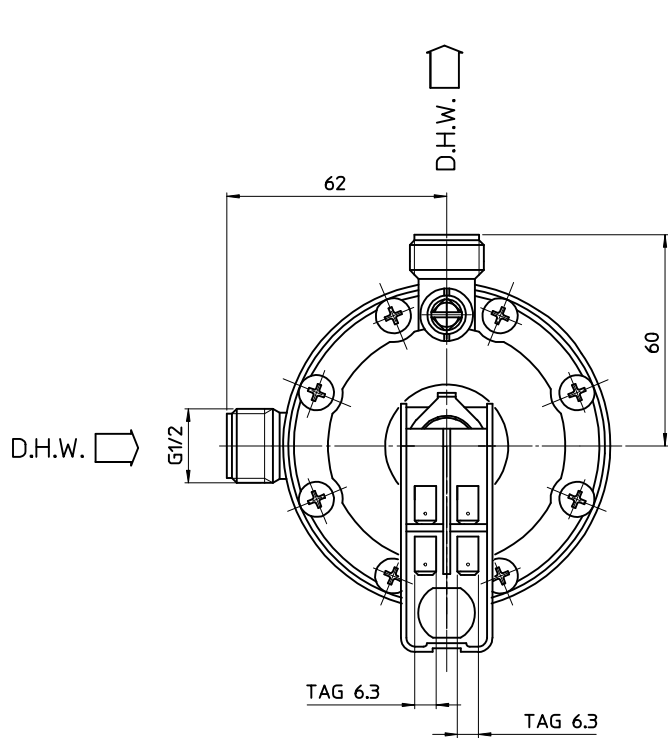


all dimensions are in millimeters

ALL THREADS ARE B.S.2779 CLASS B



D.H.W. CIRCUIT PRESSURE TEST 15.0 bar

C.H. CIRCUIT PRESSURE TEST 4.5 bar

SWITCH ON POINT Q1 = $2.6^{+0.3}$ l/min.

SWITCH OFF POINT Q2 = Q1-0.2 l/min.

MAX WORKING TEMPERATURES

primary: 110 °C

sanitary: 70 °C

MODIF. (ISSUE)	DESCRIZIONE (DESCRIPTION)	DATA (DATE)	FIRMA (SIGN)
	DENOMINAZIONE (DENOMINATION)	Ra (CLA)	
	V-35 three way valve	<input checked="" type="checkbox"/> <input checked="" type="checkbox"/> <input checked="" type="checkbox"/> <input checked="" type="checkbox"/>	
	orientation code V35 2M 1D 6a	SCALA (SCALE)	1:1
	MATERIALE (MATERIAL)	DATA (DATE)	01/09/92
	TOLL. GEN. (GEN. TOLL.) ±0.5	PROG. (PLN)	
	TELEFONO 03771934321 TELEFAX 03771934321 TELEFAX 03771934436	DIS. (DRW)	
	IL PRESENTE DISEGNO NON POTRA' ESSERE UTILIZZATO RIPRODOTTO O TRASMESSO A TERZI SENZA IL NOSTRO CONSENSO SCRITTO.	CLIENTE (CSTR)	ALUGAS
	GIANNONI s.r.l.	NO. CODICE (CODE NO)	PFV331
	Sede e stabilimento: 20079 CASTRAGA VIDARDO VIA MILANO 49/51	NO. DIS. (DRW. NO)	PFV331
	THIS DRAWING CANNOT BE USED, REPRODUCED, TRANSMITTED TO OTHER PEOPLE WITHOUT OUR WRITTEN PERMISSION.		