

208-230V 60Hz 1~



GENERAL DATA

Application: LBP
Refrigerant: R404A
Evaporating Temperature Range: -40°C to -10°C
Compressor Cooling: Fan
Fan air flow: 800 m3/h
Maximum Condensing Pressure - Operating: 24.71 bar
Maximum Condensing Pressure - Peak: 27.71 bar
Type: Hermetic reciprocating
Technology Type: On-Off
Expansion Device: Capillary Tube or Expansion Valve
Packing Quantity: Single - 1 pc
Displacement: 26.1 cm3
Horse power: 1 1/4 hp

Approvals:  

MECHANICAL DATA

Bore: 41.77 mm
Stroke: 19.07 mm
Oil Charge: 750ml +/-15ml
Free Internal Volume: 3.9 cm3
Maximum Recommended Refrigerant Charge: 800 ml
Oil Type Configuration: Polyolester
Oil Type Viscosity: ISO22
Compressor pressuriazation: Dry air charge
Weight: 22.6 kg

ELECTRICAL DATA

Motor Type: CSR
Starting Torque: HST
Voltage working range at 60 Hz: 187-244 V
Maximum Motor Temperature: 130 °C
Start Winding Resistance: 5.11 Ω (± 10%) at 25°C
Run Winding Resistance: 1.23 Ω (± 10%) at 25°C
Locked Rotor Amperage (RLA): 44 A

MOUNTING ACCESSORIES

	Description	Code
Cover:	yes	2075281
Terminal Board:	no	-
Anchorage:	no	-
Overload Protector Bracket:	no	-
Capacitor Bracket:	no	-
Grommets:	yes	2221004
Sleeves:	yes	2222016
Washer:	no	-
Pin:	no	-
Clip:	no	-
Rotolock valve:	no	-

ELECTRICAL COMPONENTS

	Component type	Description	Code
Run Capacitor:		17.5 MFD	2253311
Motor Protection:	Internal	15HM1962	
Start Capacitor:		88-108 MFD 330V	2252269
Starting Device:	Potential relay	RVA3G3C-101	1253003
CSR / CSIR Box:	yes		1272375

EXTERNAL CHARACTERISTICS

Base Plate: LARGE
Tray Holder: No
Height: 276 mm

	Internal Diameter (mm)	Material	Shape
Suction Connector	12.77	Copper	Vertical
Discharge Connector	8	Copper	Slanted 65°
Process Connector	6.42	Copper	Vertical

RATED POINT DATA

Cooling Capacity (W)	Power Consumption (W)	Current Consumption (A)	Gas Flow Rate (kg/h)	Efficiency (w/W)
±5%	±5%	±5%	±5%	±7%
412	1 099	5.65	32.54	0.38

Test condition: ASHRAE, Fan, Return Gas 32.2°C, Evaporating: -23.3°C, Condensing: 54°C, Ambient: 32.2°C, Liquid: 32.2°C

PERFORMANCE CURVE DATA

208V 60Hz

Condensing Temperature (°C)	Evaporating Temperature (°C)	Cooling Capacity (W)	Power Consumption (W)	Current Consumption (A)	Gas Flow Rate (kg/h)	Efficiency (w/W)
		±5%	±5%	±5%	±5%	±7%
35°C	-10	3 039	1 443	7.29	71.73	2.11
	-15	2 463	1 278	6.52	57.75	1.93
	-20	1 958	1 124	5.76	45.63	1.74
	-25	1 524	980	5.02	35.32	1.55
	-30	1 160	847	4.32	26.77	1.37
	-35	867	723	3.64	19.95	1.20
	-40	645	610	3.00	14.79	1.06

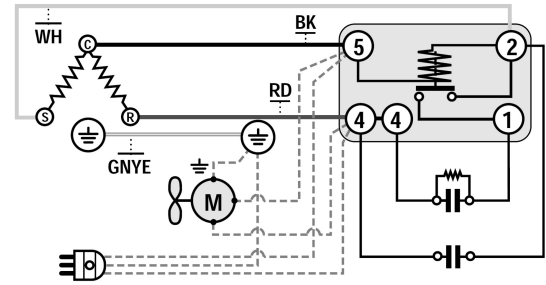
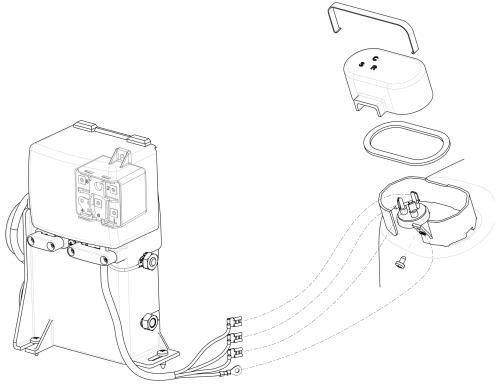
Condensing Temperature (°C)	Evaporating Temperature (°C)	Cooling Capacity (W)	Power Consumption (W)	Current Consumption (A)	Gas Flow Rate (kg/h)	Efficiency (w/W)
		±5%	±5%	±5%	±5%	±7%
45°C	-10	2 876	1 547	7.87	67.75	1.86
	-15	2 311	1 356	6.90	54.08	1.70
	-20	1 811	1 174	6.00	42.13	1.54
	-25	1 376	1 001	5.15	31.83	1.37
	-30	1 004	836	4.37	23.14	1.20
	-35	697	681	3.66	16.01	1.02

Condensing Temperature (°C)	Evaporating Temperature (°C)	Cooling Capacity (W)	Power Consumption (W)	Current Consumption (A)	Gas Flow Rate (kg/h)	Efficiency (w/W)
		±5%	±5%	±5%	±5%	±7%
55°C	-10	2 718	1 670	8.56	63.90	1.63
	-15	2 173	1 451	7.40	50.73	1.50
	-20	1 686	1 239	6.33	39.12	1.36
	-25	1 257	1 036	5.36	29.01	1.21
	-30	885	840	4.49	20.36	1.05

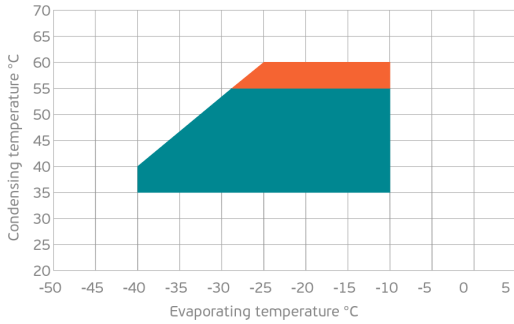
Test condition: ASHRAE, Fan, Return Gas 32.2°C, Evaporating: -23.3°C, Condensing: 54°C, Ambient: 32.2°C, Liquid: 32.2°C

ASSEMBLY INSTRUCTION

WIRING DIAGRAM

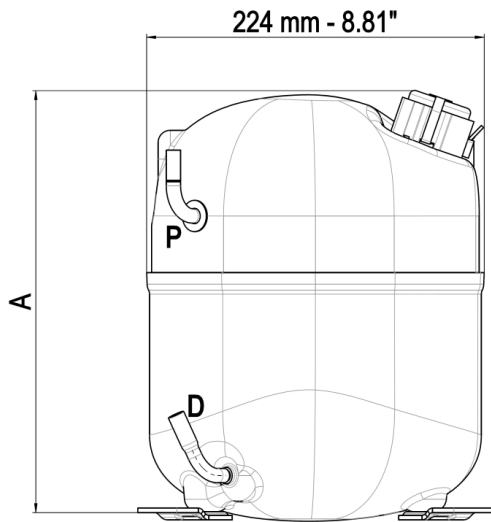


OPERATING ENVELOPE



- Operating Condition
- Transient Condition
- Superheating

NOTE: usage of compressors outside of intended working range cannot make use of the warranty, or should be consulted with Technical support.



	∅ mm	∅ in	material
S - Suction	9.60 - 9.67	3/8	Cu
	12.77 - 12.85	1/2	Cu
P - Process	6.42 - 6.50	1/4	Cu
D - Discharge	6.42 - 6.50	1/4	Cu
	8.00 - 8.08	5/16	Cu

