

Specifica Tecnica

FMDE 3217 AL - /E/BO



APPLICATION	PRODUCT TYPE	CALCULATION DATE	DUTY MODE
Espansione diretta per HFC	Optigo FMD	02.10.2023	DESIGN

LABEL

DESIGN-DX-R404A-EC-[7.0]-[]-AL-49198106



Thermal Data^{(5), (13), (14), (15)}

Capacità richiesta	6,80 kW	Capacità calcolata	6,80 kW
Margine	0,0 %	Sensible Heat Ratio	0,75
Condensazione	2,4 kg/h	Temperatura d'evaporazione	-8,0 °C
DTM	5,9 Δ°C	Temperature Type	DEW
Temperatura refrigerante liquido	30,0 °C		

Air Data

Air Temperature ON/OFF	0,0 °C / -3,8 °C	Flusso d'aria	3900 m ³ /h
Air ON/OFF Relative humidity	85,0 % / 94,0 %	Velocità dell'aria	1,6 m/s
DT1 (AirOnTemp-EvapTemp)	8,0 Δ°C	Lancio d'aria	14 m

Fluid

Fluido	R404A
--------	-------

Fan Data⁽⁶⁾

Tipo di ventilatore	EC	Numero di ventilatori	2
Diametro del ventilatore	350 mm	Velocità di rotazione	1100 rpm
ErP 2015	Sì		

Electrical Fan Data

Power Supply	230V / Monofase / 50 Hz / S	Potenza nom. tot.	170 W
Min/Max Work. Temp.	-25,0 °C / 60,0 °C	Corrente nom. tot. ⁽³⁾	1,5 A
Corrente a pieno carico	1,8 A	Fans Oper. power cons.	170 W
Fans Operating current	1,4 A		



The certified performances and conditions in this software are in line with performances and conditions published on EUROVENT website. Those performances can be verified in www.eurovent-certification.com. The EUROVENT certification refers to the unit in standard configuration, additional options may impact on declared reference performance.

Specifica Tecnica

FMDE 3217 AL - /E/BO



🔊 Sound Level

Livello di potenza sonora	73 dB(A)	Livello di pressione sonora ⁽¹⁾	52 dB(A)
---------------------------	----------	--	----------

☰ Coil Data

Materiale del tubo	Rame	Materiale dell'aletta	Alluminio
Spaziatura alette	7,0 mm	Dimensione connessioni batteria (Entrata-Uscita)	1x16mm-1x35mm
Numero di circuiti	8	Superficie	26,2 m ²
Volume interno	6,1 l	Connection Side	Stesso lato
Pressione di progettazione	24 bar		

🏠 Casing&Frame

Casing Material	Aluminum alloy epoxy coated
-----------------	-----------------------------

📏 Dimensions⁽²⁾

LengthXDepthXHeight	1998 mm / 886 mm / 263 mm	Unit Weight	51 kg
Shipping Volume	0 m ³		

⚙️ Electrical Defrost Consumption⁽⁷⁾

No of heater drip tray	2	Drip tray power consumption	4700 W
------------------------	---	-----------------------------	--------

⚙️ Configuration IDs

Coil Configuration	AL/7.0/1x16mm-1x35mm/S
Fan Configuration	32009489/S
Options Configuration	/E/BO

Specifica Tecnica

FMDE 3217 AL - /E/BO



VALORI DI LISTINO 12/01/2022 00:00

DESCRIPTION	KIT CODE	DISCOUNT%	VALUE
Unit			
Valore di listino dell'unità			
Ventilatore - EC - 1100 rpm - 230V - 50 Hz			Incluso
Pacchetto alette - Alluminio - 7,0 mm			Incluso
Materiale involucro - Aluminum alloy epoxy coated			Incluso
Tipo configurazione cablaggio			Incluso
Sistema di scongelamento - Elettrico			
Imballaggio - Scatola			Incluso
Valore di listino delle opzioni			
Valore di listino delle opzioni kit			included

Full Value

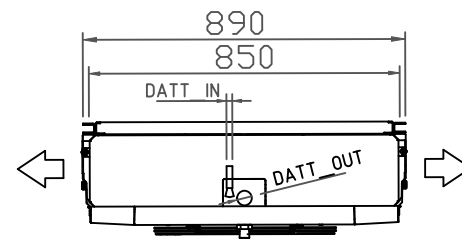
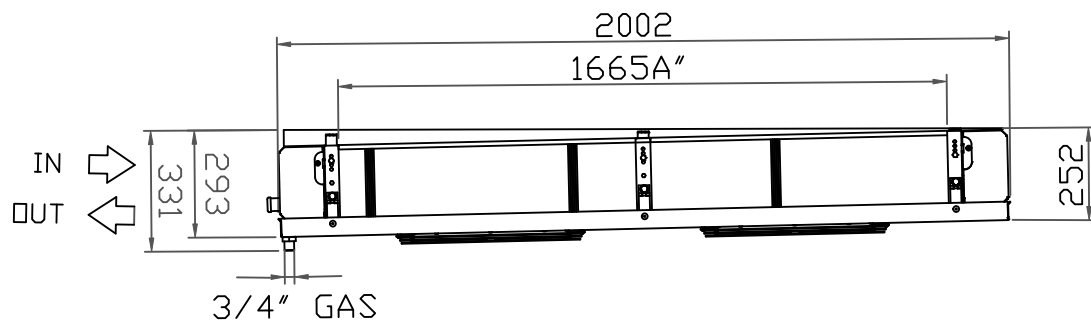
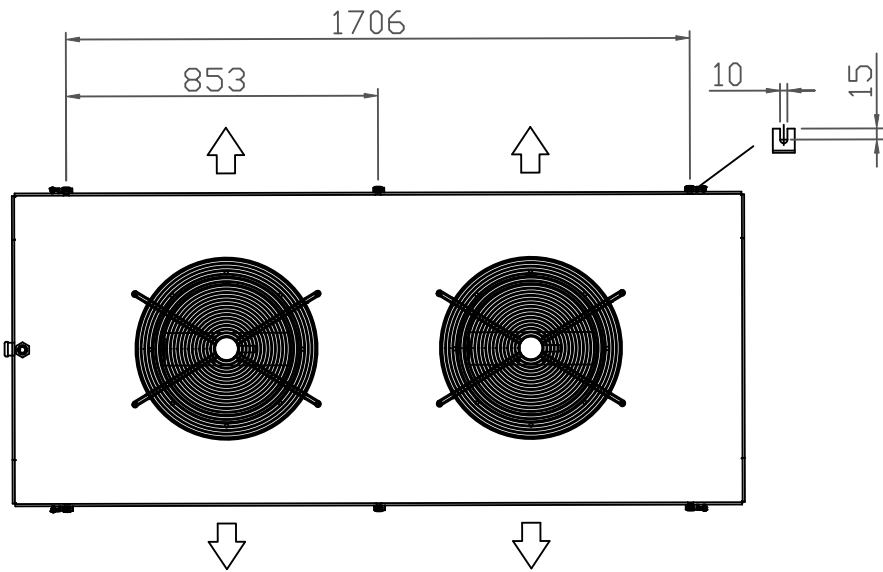
NOTES


- 1 By using EN13487 at 3 m in free field conditions, if distance is not specified differently from user
- 2 Dimensions and weight are not valid for all available options. Drawings are only preliminary, indicative and without accessories.
- 3 Total nominal current at Tair=20°C (68°F). Variation could occur due to different voltage or air temperature.
- 5 LU-VE S.p.A. reserves the right to modify and correct at any time, with or without notice, the specifications and prices listed in the software. Options not specified in the "Value Summary" table are not included in the offer.
- 6 The connection box is included.
- 7 Single electrical heater 230 V
- 13 Due to the current abnormal level of uncertainty in the procurement of raw materials and in particular of electronic components, the delivery time of some fans might be exceedingly long. Your local LU-VE S.p.A. contact will support you in the selection of products with better delivery time.
- 14 General conditions of sales available on www.luvegroup.com.
- 15 LU-VE products are designed, manufactured and tested according to PED 2014/68/EU, MD 2006/42/EC, LVD 2014/35/EU, EMC 2014/30/EU and their related harmonized standards.

Calculation Engines HSP - 0.1.1.14.hf1 LuveCalc - 1.0.7.68
Item ID 49198106



The certified performances and conditions in this software are in line with performances and conditions published on EUROVENT website. Those performances can be verified in www.eurovent-certification.com. The EUROVENT certification refers to the unit in standard configuration, additional options may impact on declared reference performance.



Date	09-07-20	Type	FMD 32
Scale	1:1	 <small>alfagroup.com</small>	
