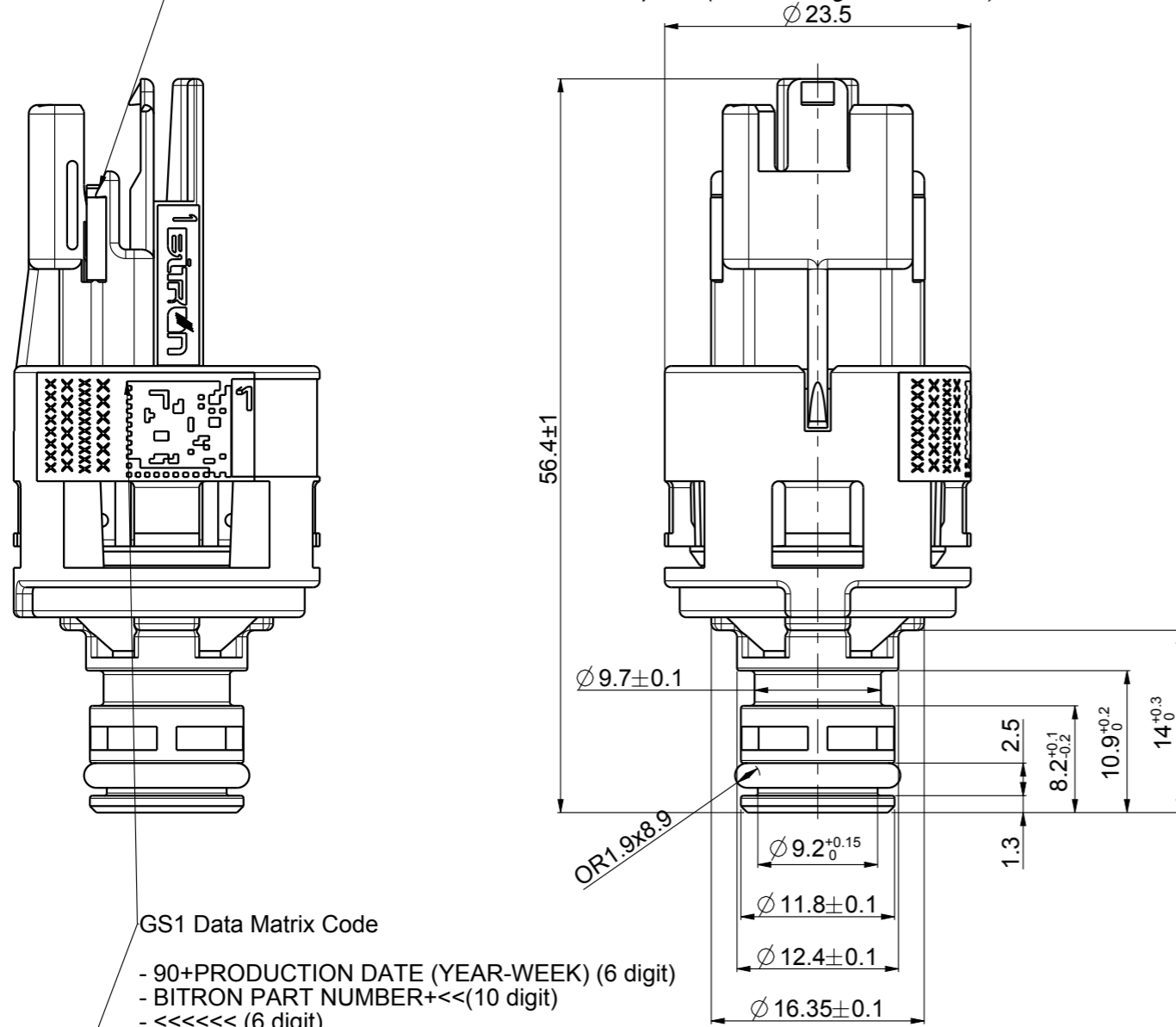


SEDE CONNETTORE RAST 2.5 3 POLI (es. LUMBERG 3521 03 K00)  
HOUSING FOR CONNECTOR RAST 2.5 3 poles (i.e. Lumberg 3521 03 K00)



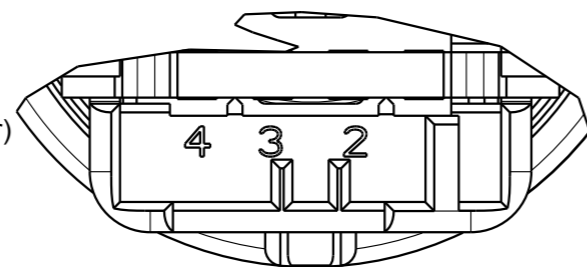
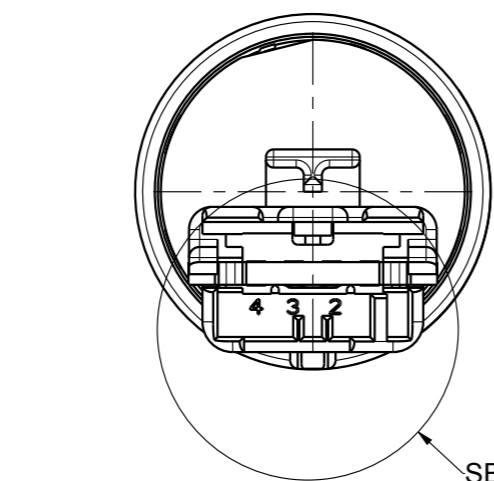
GS1 Data Matrix Code

- 90+PRODUCTION DATE (YEAR-WEEK) (6 digit)
- BITRON PART NUMBER+<<<(10 digit)
- <<<<<< (6 digit)
- SERIAL NUMBER (8 digit)

90YYWK  
37850004<<<<<<  
<<<<<<  
XXXXXXXXXX

PIN-OUT (3 pole connector)  
PCB Color : WHITE

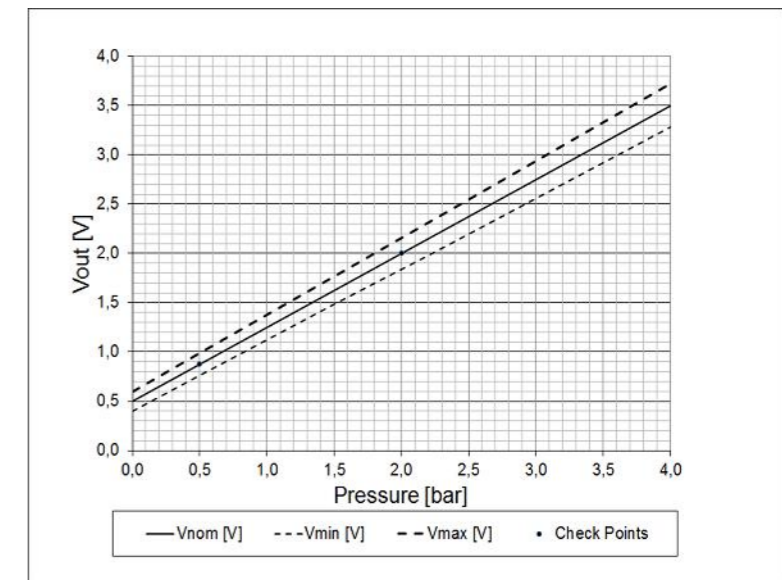
- 2 : supply 5V
- 3 : ground
- 4 : output



DETAIL C  
SCALE 4.000

TOLERANCES @5V - ratiometric output

Vout nom [V] = 0,500 [V] + 0,750 [V/bar] x P [bar] @ 5V - ratiometric output  
Vout max [V] = 0,600 [V] + 0,780 [V/bar] x P [bar] @ 5V - ratiometric output  
Vout min [V] = 0,400 [V] + 0,720 [V/bar] x P [bar] @ 5V - ratiometric output



Check points Pressure (mbar)	Output (V)	Tolerances (V)
500	0.875	±0.115
2000	2.000	±0.160
Supply Voltage - SELV		
5V±0.15		
Burst Pressure		
>9 bar		
Maximum Test Pressure (< 5min)		
9 bar		
Operating Ambient Temperature		
-10°C +70°C		
Operating Water Temperature		
+2°C +90°C		
Operating Pressure Range		
0 - 4bar		

A - - Released		Grieco		Maiorana	
PLEASE FOLLOW BITRON COMPONENT "USE & PRECAUTIONS" INSTRUCTIONS. BITRON DENIES ANY RESPONSIBILITY IF "USE & PRECAUTIONS" ARE NOT APPLIED.		GEOMETRIC TOLERANCE ACCORDING TO ELBI/ BITRON TECHNICAL SPECIFICATION 03.00.00 DIMENSIONS, LENGTH AND DIAMETERS (mm) ACCORDING UNI EN 20286 IT14		UP TO 3±0.125 >6 TO 10±0.18 >18 TO 30±0.26 >50 TO 80±0.37 >120 TO 180±0.5 >250 TO 315±0.65	
MM SCALE 1.000		FORMAT A3		DATE 13/09/2019	
APPLICATION		MATERIAL AND MATERIAL CODE		WEIGHT (gr.)	
GROUP		TREATMENT		REPLACE	
COMPETENCE CENTER		DESCRIPTION		ARCHIVE OR DRAWING N.	
elbi		PRESSURE SENSOR TYPE 3785		S19427	
		HALL PRESSURE SENSOR		CODE 37850004	