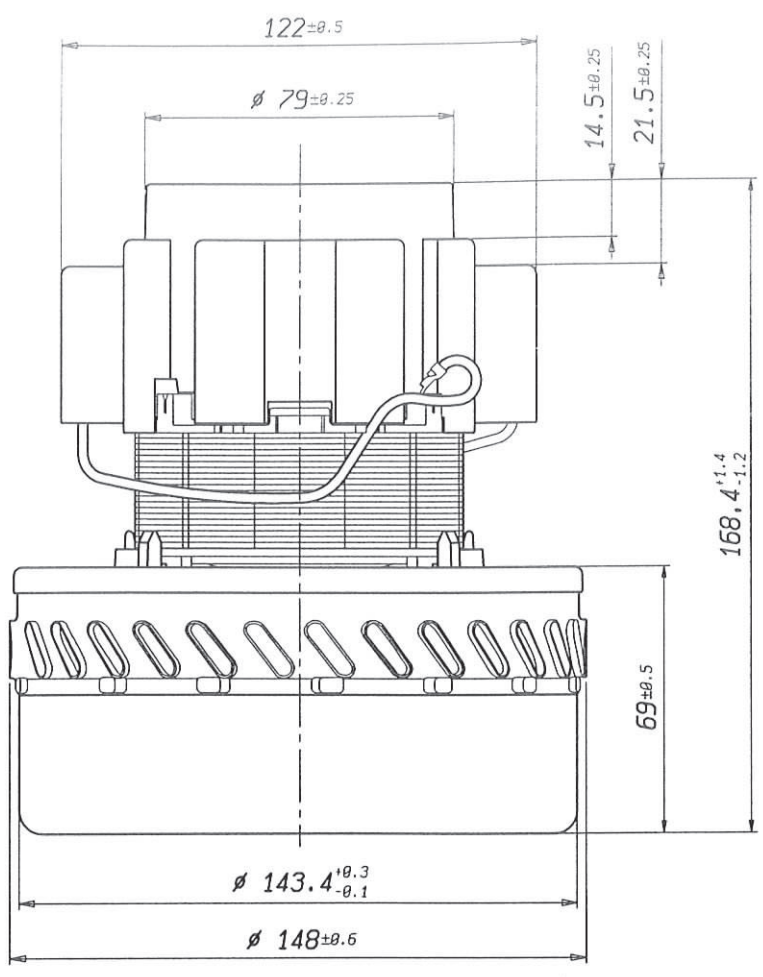
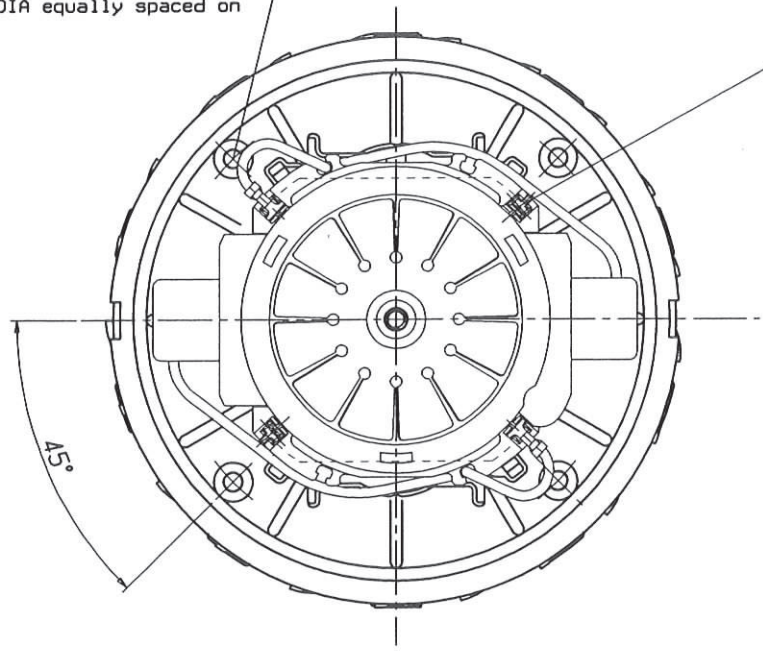


1



CONNESSIONE CON TERMINALE "POKE IN TAB" AMP Cod.Art.281622-2  
 CONNECTION WITH "POKE IN TAB" TERMINAL AMP Cod.Art.281622-2

N°4 fori  $\phi 4.5$  equidistanti sul  $\phi 117.5$   
 N°4 holes  $\phi .177$ DIA equally spaced on  
 a  $4.626$ DIA



 ITALIA S.r.l., VACUUM PRODUCTS	Denominazione Title <b>DIMENSIONI DI INGOMBRO</b>	Data Date <b>15/05/07</b>	Firma Sign <b>. PC</b>
	<b>OVERALL DIMENSIONS</b>	Modello Model	
	<b>MOT.BY2II.1000W.240V.</b>		<b>061300501</b>

3.1

TEST N° : 14061

DATE : 09/05/07

MOTOR TYPE : 061300501

VOLTAGE : 240 HZ : 50

NAME :

APPLIANCE:

AIR FLOW PERFORMANCE -  $Q = 0.0019 \cdot D^2 \cdot H \cdot \text{Corr}^{0.5}$

ORIFICE	A	Win	Win Corr.	RPM	HA mmH2O	H CORR. mmH2O	Q l/sec.	Wout	EFF. %
48.0	5.04	1161	1167.8	19827	150	151	53.7	79.4	6.8
40.0	5.06	1167	1173.8	19738	285	286	51.4	144.5	12.3
30.0	5.11	1176	1182.9	19501	660	663	44.0	286.4	24.2
23.0	5.04	1160	1166.8	19662	1094	1099	33.3	359.2	30.8
19.0	4.84	1118	1124.5	20030	1351	1357	25.3	336.4	29.9
16.0	4.54	1046	1052.1	20768	1533	1540	19.1	288.4	27.4
13.0	4.21	973	978.7	21661	1702	1710	13.3	222.7	22.8
10.0	3.84	887	892.2	22527	1866	1874	8.2	151.3	17.0
6.5	3.39	787	791.6	23751	2031	2040	3.6	72.6	9.2
0.0	3.11	721	725.2	24414	2288	2298	0.0	0.0	0.0

REMARKS : MEASUREMENTS CARRIED OUT AFTER 1', WITH SEALED ORIFICE AFTER 20''  
TEST CARRIED OUT WITH MOTOR ON MEASURING BOX

VOLTMETER: NORMA D5135 AMPEROMETER: NORMA D5135 WATTMETER: NORMA D5135

AMBIENT °C : 25 ATM.PRESS. mmHg : 764 RH % : 39

AIR DENSITY RATIO : 0.988

CORRECTION FACTORS IN TERMS OF AIR DENSITY (20°C - RH50% - 760mmHg)

WIN CORRECTION FACTOR : 1.006 DEPRESSURE CORR.FACTOR H : 1.005

Sign : Roberto Belloni

03891/E