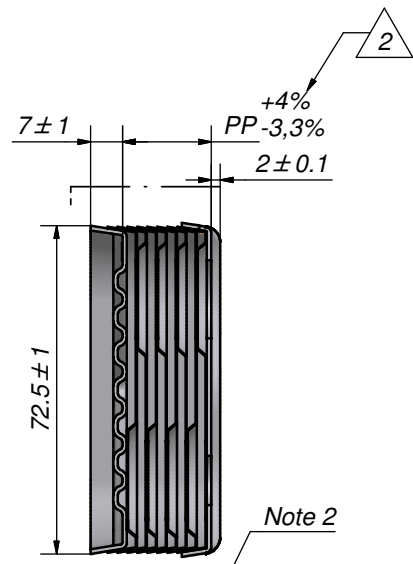
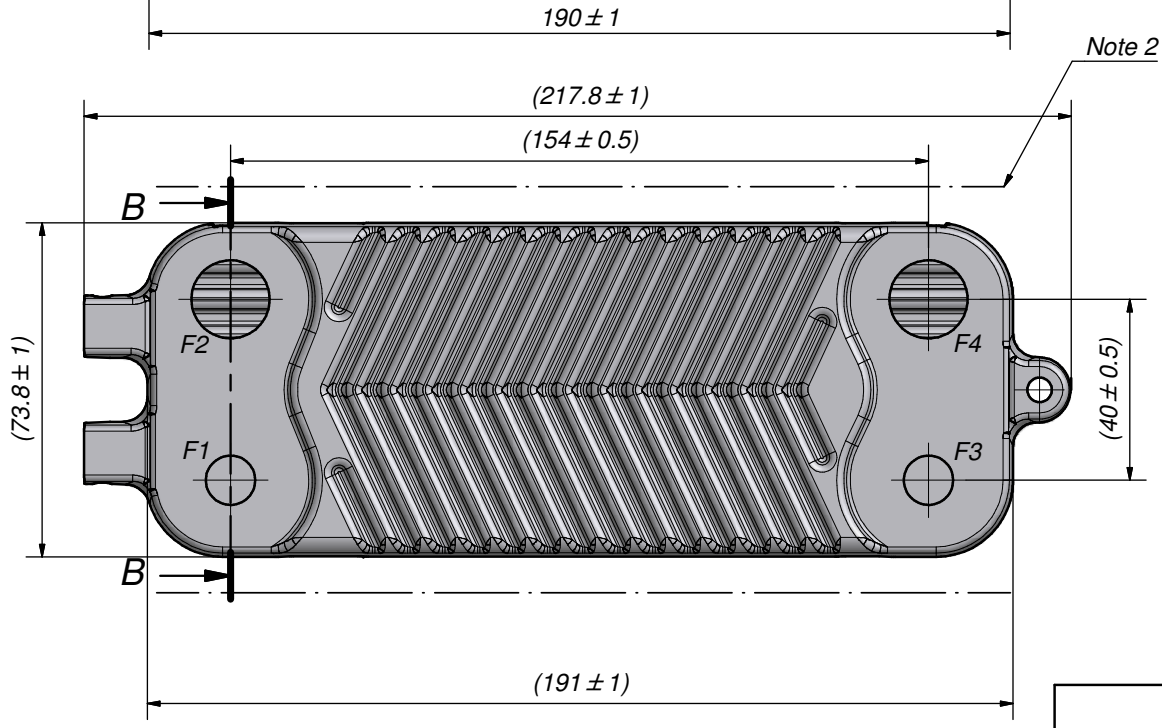
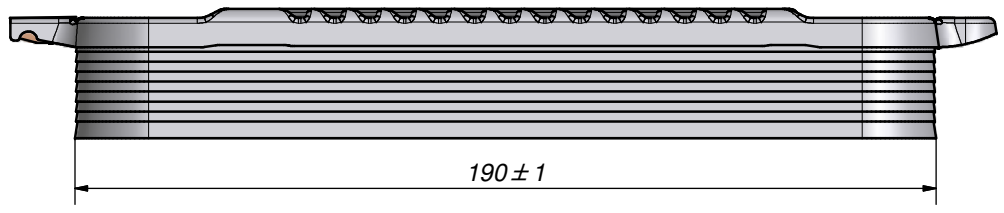
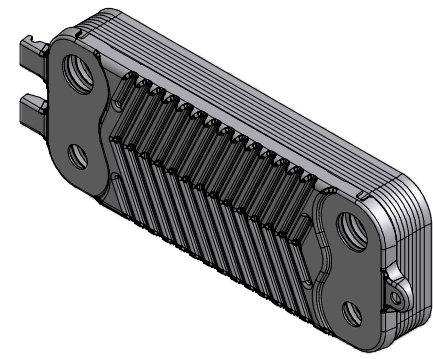
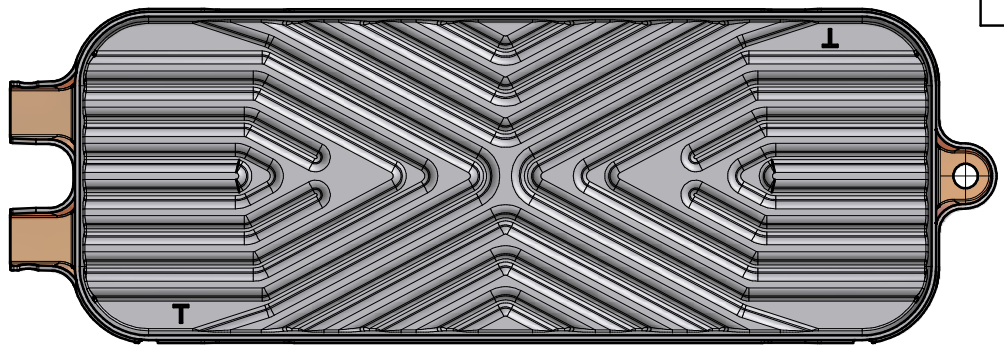


Rev No.	Alteration	Date	Checked	Approved
2	Added PP measurement tolerance	2008/10/01	SKSM	PDM



Note 1: Burr free port holes
 Note 2: No sharp edges according to UL1439
 Note 3: $PP=2+2,17 \times (NP-2)$
 NP=number of plates
