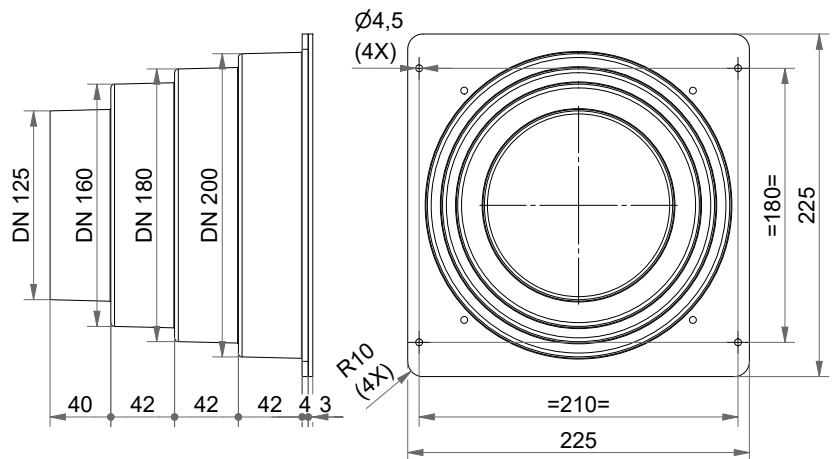
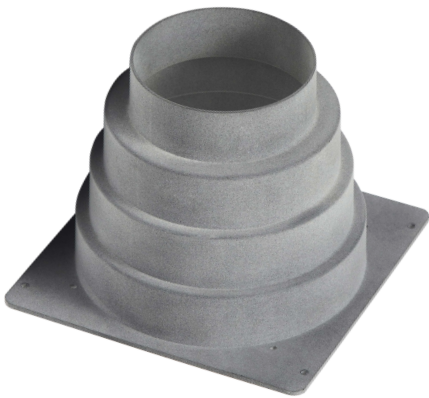


General information

Universal polypropylene connector with gasket



Specifications

Article number	HBFL 01
Product category	Air distribution plenum
Material	Polypropylene
Colour	Material own colour
Wall Thickness (mm)	2
Weight (kg)	0,25

Dimensions

Dimensions (l x w x h mm)	225 x 225 x 158
Connection diameter ridged (mm)	125, 160, 180, 200

Application Insights

Application	Air distribution plenum - To be mounted on plenum
Supply / Extract	Supply / Extract

Technical Specifications

Please refer to the universal plenum on which it will be mounted