	EXHAUST BLOWER AIRTIGHT	AVFLVALD24
	Impeller 150x20 mm – exhaust outlet Ø80mm	Page 1 of 2

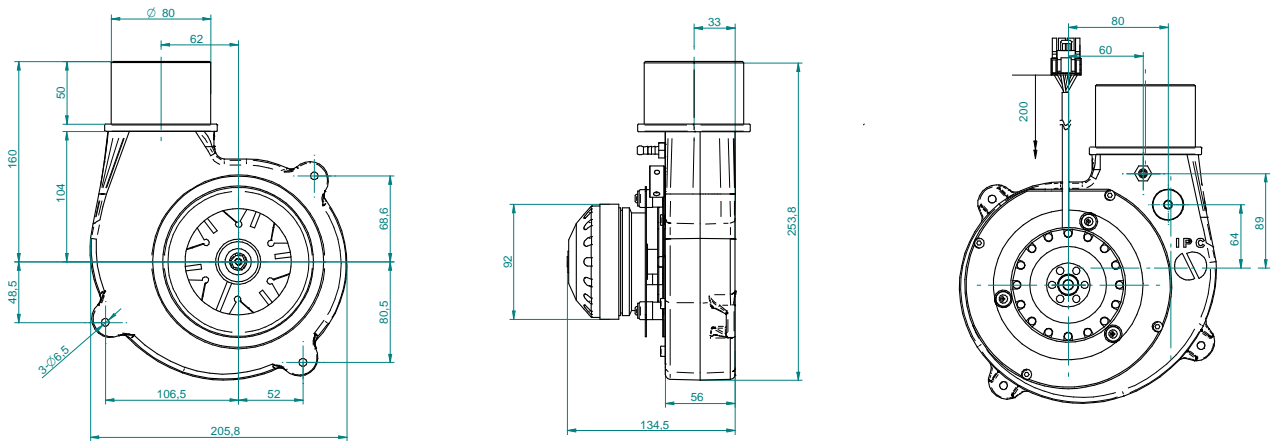
Rated voltage	230 V
Rated frequency	50 Hz
Rated current	0,13 A
Rated power	30 W
Speed ¹⁾	2600 rpm
Air flow ²⁾	155 m ³ /h
Static pressure ²⁾	300 Pa
Noise ³⁾	62 dB(A)

Operating voltage	200 V – 255 V
Operating temperature	from -10°C to +80°C
Hot gas temperature	300 °C max
Operating humidity	10 – 90 % R.H. (no condensation)
Rotation	CCW (look at the motor)
IP rate	IP 44
Type of service	S1, S8 (continuous)

Note:

- 1) At max air flow condition.
- 2) Max value.
- 3) Sound pressure level at 1m and max air flow condition

Drawing



Electrical and mechanical characteristics	
Insulation Class	Class B
Appliance Class	Class I
Capacitor value ^④	1 µF / 400V
Dielectric strength test	1800V 50Hz for 1 s
Thermal protector	125°C

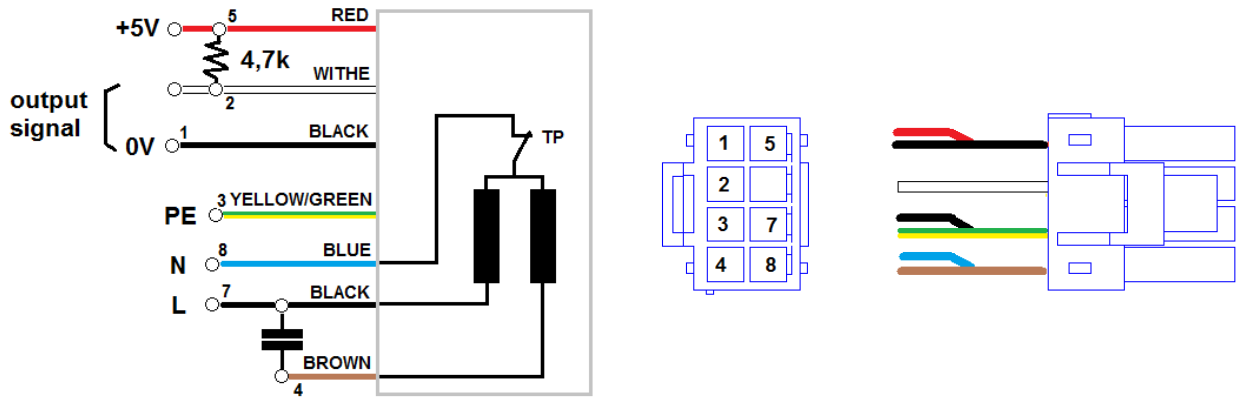
Material list	
Casing	Aluminium die cast
Impeller	Stainless steel AISI 302
Ball bearing	NMB – 608MNZZ....LY551
Damper washer	Silicon rubber
Electrical wires	UL1330 FEP insulated AWG22
Insulated disc	PTFE

Note: ^④ capacitor in compliance with IEC EN 60252-1, P2 type, aluminium body

Electrical connection and wiring diagram

Electrical connections: Plug housing (male) type YLP-08V with socket contacts (female) type SYF-01P, JST made

Pin Nr	Wire colour	Function	External components	IN		OUT
5	Red	Hall sensor connection	Resistor 4,7kΩ	+5V		Output tachometer signal (1pulse/rev)
2	White			0V		
1	Black			PE - Ground		
3	Yellow/Green	Motor feeding connection	Capacitor 1µF 450V	L	230V 50Hz	
7	Grey			N		
8	Blue					
4	Brown					



Performance curves

Performance at 230V 50Hz

Air flow [m ³ /h]	Static pressure [Pa]	Speed [rpm]
155	0	2620
0	300	2780

Performance at constant speed

Speed [rpm]	1400	2000	2600
Max Air flow [m ³ /h]	83	118	154
Max Static pressure [Pa]	76	155	262

