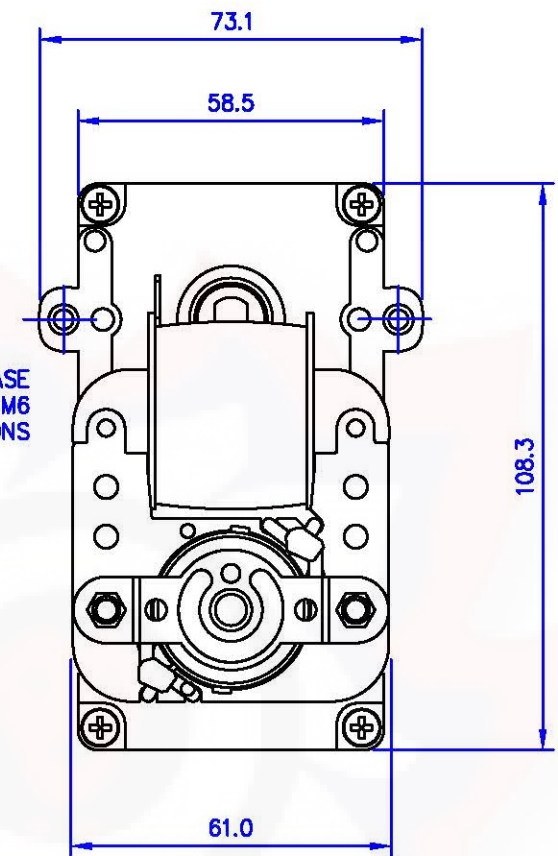


CW
FROM
FRONT

GEARBOX BASE
TAPPED M6
2 POSITIONS



MELLOR

KB1014

T14 3RPM 230v 50Hz

INPUT POWER @ 230v 50Hz - 21WATTS

NOMINAL CURRENT @ 230v 50Hz - 0.20Amps

STALLED CURRENT @ 230v 50Hz - 0.28Amps

OUTPUT TORQUE @ 230v 50Hz - 20Nm

TEMP. RISE - 21°C-85°C/3Hrs