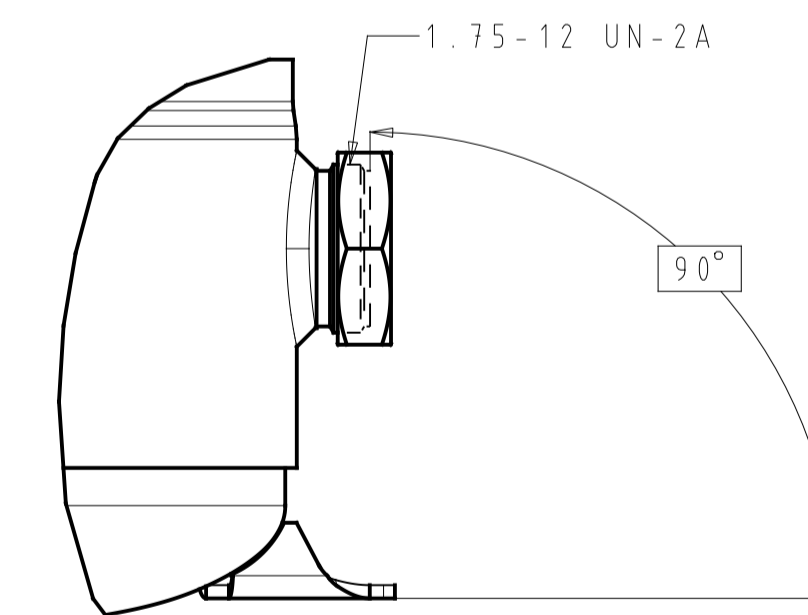
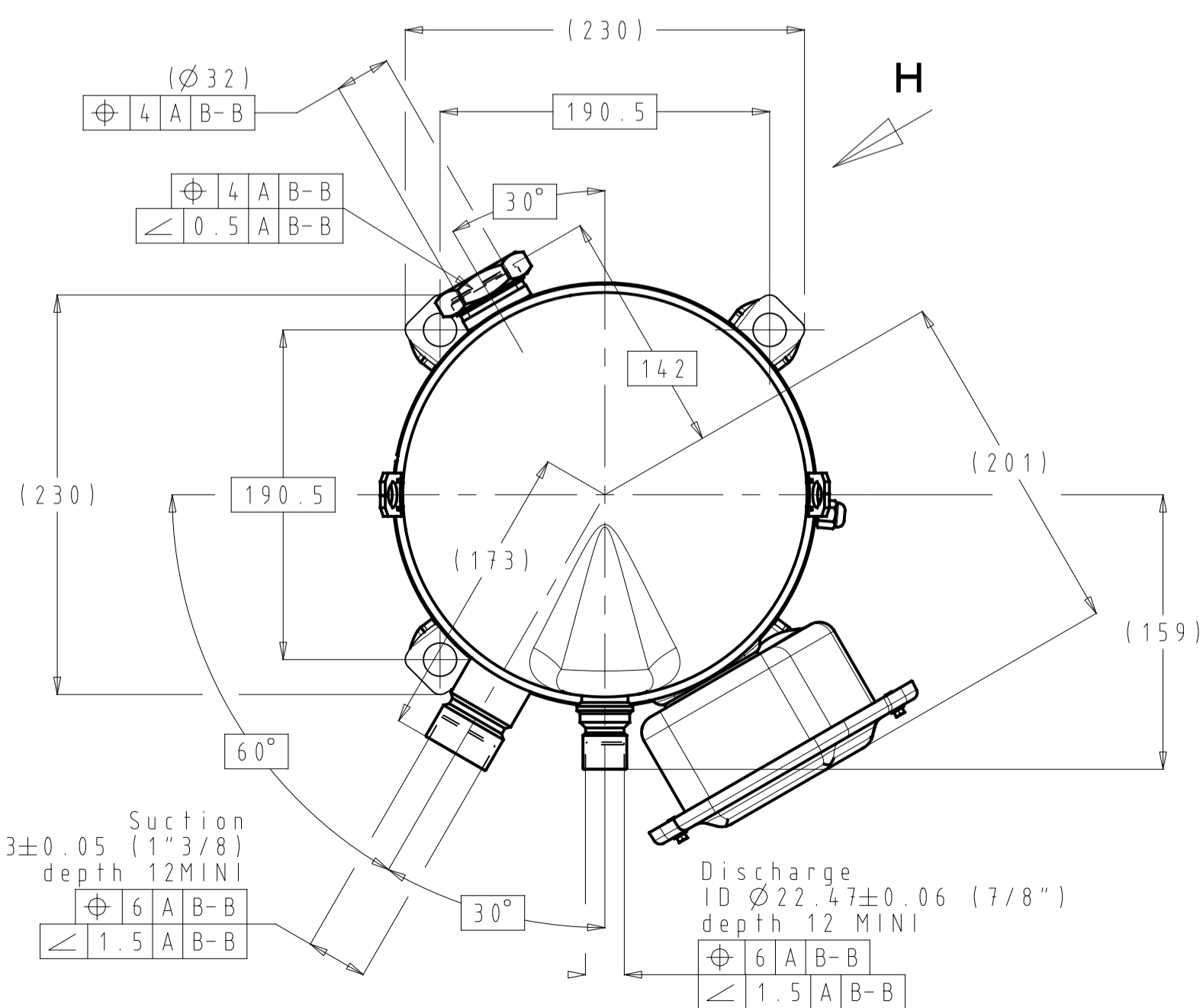


Rubber grommet
SCALE 1/2



View H
SCALE 1/2

Suction
ID $\varnothing 35.23 \pm 0.05$ (1 3/8")
depth 12 MIN!

$\varnothing 6$ A B-B
 ≤ 1.5 A B-B

Discharge
ID $\varnothing 22.47 \pm 0.06$ (7/8")
depth 12 MIN!

$\varnothing 6$ A B-B
 ≤ 1.5 A B-B

Part number
8560178P01A

General Tolerances Table		Drawing Status : Production print			Key characteristic According to Danfoss standard 50220024		
N/A		Surface Area (m ²)	Estimated Mass (kg)	Projection	Scale	Size A1	
Roughness (µm)	A	ECR-2019-11549	13/11/19	3/10			
N/A	Revision	ECR Number	Date				
	Designer	Wu Fang					
	Approval	Ye Hang					
ISO 8015 ISO 1101	Confidential: Property of Danfoss Commercial Compressors. Not to be handed over to copied or used by third party. Two or three dimensional reproduction of contents to be authorized by Danfoss CC.						Material : - Designation DSH184/DSF200 outline NRVI
						Sheet 1 of 1 A.9 Dwg. N° 8560178	

A