

Life Is On

eliwellTM
by Schneider Electric



RV range 4-Way Reversing Valves

- > Compatible with flammable refrigerant gases
- > Certificated PED European directive 2014/68 / EU category 2 module D1
- > UL and European Approvals

www.eliwell.com

Applications

The RV 4-way reversing valves are the key component to provide heating and cooling in a climate controlled space by reversing the refrigerant. They are used for air conditioning individual rooms, centralized air conditioning plants, monobloc air conditioners and CR units for defrosting applications.

Reversing valves are designed for systems with capacities from 1 kW up to 265 kW.

All the valves are suitable for use with HC, HCFC, HFC and HFO refrigerants, including A2L.

The design of the valve also guarantees minimum pressure drop and very low leakage. The available models offer a wide range of connections, configurations and capacities for specific applications.

All models are individually packaged to ensure maximum flexibility for purchasing and usage.

List of permitted refrigerants:

R407C / R410A / R404A / R134a / R22 / R32 / R1234yf / R1234ze / R452B / R450A / R445A / R454A / R454B / R454C / R455A / R1233zd / R1336mzz / R290



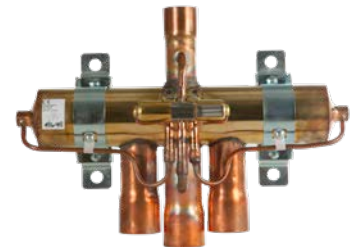
Direct action models

| Part number | Description Pipe size (inches) | CAPACITY 1 MIN. - MAX. | | | | | Layout | Port (Ø) | Weight (kg) | Master Carton |
|----------------|---|-------------------------------|-------------------------------|------------------------------|-----------------------------|-------------------------------|--------|-------------|----------------|------------------|
| | | R407C | R410A | R134a | R32 | R290 | | | | |
| | | kW (US Ton) min./max. | kW (US Ton) min./max. | kW (US Ton) min./max. | kW (US Ton) min./max. | kW (US Ton) min./max. | | | | |
| RV00BD06050000 | REV VALVE 0.5 UST 3/8 - 5/16 U DISCH | 1.32 / 3.10 (0.38/ 0.88) | 1.53 / 3.86 (0.44/ 1.1) | 1.13 / 2.38 (0.32/ 0.68) | 1.65 / 4.25 (0.47/ 1.21) | 1.29 / 3.33 (0.37/ 0.95) | B | 8 | 0.19 | 45 |
| RV01AD06060000 | REV VALVE 1 UST 3/8 - 3/8 | 1.39 / 4.62 (0.4/ 1.31) | 1.73 / 6.01 (0.49/ 1.71) | 1.39 / 3.91 (0.4/ 1.11) | 1.87 / 6.61 (0.53/ 1.88) | 1.48 / 5.17 (0.42/ 1.47) | A | 11.1 | 0.19 | 18 |
| RV01AD06050000 | REV VALVE 1 UST 3/8 - 5/16 | 1.39 / 4.62 (0.4/ 1.31) | 1.73 / 6.01 (0.49/ 1.71) | 1.39 / 3.91 (0.4/ 1.11) | 1.87 / 6.61 (0.53/ 1.88) | 1.48 / 5.17 (0.42/ 1.47) | A | 11.1 | 0.19 | 18 |
| RV01AD08050000 | REV VALVE 1 UST 1/2 - 5/16 | 1.39 / 4.62 (0.4/ 1.31) | 1.73 / 6.01 (0.49/ 1.71) | 1.39 / 3.91 (0.4/ 1.11) | 1.87 / 6.61 (0.53/ 1.88) | 1.48 / 5.17 (0.42/ 1.47) | A | 11.1 | 0.19 | 18 |
| RV01BD06050000 | REV VALVE 1 UST 3/8 - 5/16 U DISCH | 1.39 / 4.62 (0.4/ 1.31) | 1.73 / 6.01 (0.49/ 1.71) | 1.39 / 3.91 (0.4/ 1.11) | 1.87 / 6.61 (0.53/ 1.88) | 1.48 / 5.17 (0.42/ 1.47) | B | 11.1 | 0.27 | 18 |
| RV01BD06060000 | REV VALVE 1 UST 3/8 - 3/8 U DISCH | 1.39 / 4.62 (0.4/ 1.31) | 1.73 / 6.01 (0.49/ 1.71) | 1.39 / 3.91 (0.4/ 1.11) | 1.87 / 6.61 (0.53/ 1.88) | 1.48 / 5.17 (0.42/ 1.47) | B | 11.1 | 0.27 | 18 |
| RV01AD08060000 | REV VALVE 1 UST 1/2 - 3/8 | 1.39 / 4.62 (0.4/ 1.31) | 1.73 / 6.01 (0.49/ 1.71) | 1.39 / 3.91 (0.4/ 1.11) | 1.87 / 6.61 (0.53/ 1.88) | 1.48 / 5.17 (0.42/ 1.47) | A | 11.1 | 0.19 | 18 |
| RV01BD08060000 | REV VALVE 1 UST 1/2 - 3/8 U DISCH | 1.39 / 4.62 (0.4/ 1.31) | 1.73 / 6.01 (0.49/ 1.71) | 1.39 / 3.91 (0.4/ 1.11) | 1.87 / 6.61 (0.53/ 1.88) | 1.48 / 5.17 (0.42/ 1.47) | B | 11.1 | 0.28 | 18 |
| RV02AD08060000 | REV VALVE 2 UST 1/2 - 3/8 | 2.79 / 6.35 (0.79/ 1.81) | 3.17 / 7.7 (0.9/ 2.19) | 2.44 / 4.95 (0.69/ 1.41) | 3.42 / 8.47 (0.97/ 2.41) | 2.76 / 6.65 (0.79/ 1.89) | A | 11.1 | 0.28 | 18 |
| RV02BD08060000 | REV VALVE 2 UST 1/2 - 3/8 U DISCH | 2.79 / 6.35 (0.79/ 1.81) | 3.17 / 7.7 (0.9/ 2.19) | 2.44 / 4.95 (0.69/ 1.41) | 3.42 / 8.47 (0.97/ 2.41) | 2.76 / 6.65 (0.79/ 1.89) | B | 11.1 | 0.28 | 18 |
| RV02CD10060000 | REV VALVE 2 UST 5/8 - 3/8 | 3.85 / 7.1 (1.09/ 2.02) | 4.54 / 8.81 (1.29/ 2.5) | 3.14 / 5.63 (0.89/ 1.6) | 4.9 / 9.69 (1.39/ 2.76) | 3.69 / 7.76 (1.05/ 2.21) | C | 11.1 | 0.28 | 18 |
| RV02DD10060000 | REV VALVE 2 UST 5/8 - 3/8 U DISCH | 3.85 / 7.1 (1.09/ 2.02) | 4.54 / 8.81 (1.29/ 2.5) | 3.14 / 5.63 (0.89/ 1.6) | 4.9 / 9.69 (1.39/ 2.76) | 3.7 / 7.76 (1.05/ 2.21) | D | 11.1 | 0.30 | 18 |
| RV03ED10080000 | REV VALVE 3 UST 5/8 - 1/2 | 3.85 / 9.55 (1.09/ 2.72) | 4.54 / 11.98 (1.29/ 3.41) | 3.14 / 7.42 (0.89/ 2.11) | 4.9 / 13.18 (1.39/ 3.75) | 3.7 / 10.34 (1.05/ 2.94) | E | 11.5 | 0.32 | 12 |
| RV03ED12080000 | REV VALVE 3 UST 3/4 - 1/2 | 3.85 / 9.9 (1.09/ 2.81) | 4.54 / 12.35 (1.29/ 3.51) | 3.14 / 7.78 (0.89/ 2.21) | 4.9 / 13.59 (1.39/ 3.86) | 3.7 / 11.08 (1.05/ 3.15) | E | 11.5 | 0.35 | 12 |
| RV03CD10080000 | REV VALVE 3 UST 5/8 - 1/2 CENT DISCH | 3.85 / 9.55 (1.09/ 2.72) | 4.54 / 11.98 (1.29/ 3.41) | 3.14 / 7.42 (0.89/ 2.11) | 4.9 / 13.18 (1.39/ 3.75) | 3.7 / 10.34 (1.05/ 2.94) | C | 11.5 | 0.32 | 12 |
| RV03DD10080000 | REV VALVE 3 UST 5/8 - 1/2 U DISCH | 3.85 / 9.55 (1.09/ 2.72) | 4.54 / 11.98 (1.29/ 3.41) | 3.14 / 7.42 (0.89/ 2.11) | 4.9 / 13.18 (1.39/ 3.75) | 3.7 / 10.34 (1.05/ 2.94) | D | 11.5 | 0.32 | 12 |
| RV06AD12080000 | REV VALVE 6 UST 3/4 - 1/2 | 3.85 / 19.02 (1.09/ 5.41) | 4.54 / 23.95 (1.29/ 6.81) | 3.14 / 14.81 (0.89/ 4.21) | 4.9 / 26.35 (1.39/ 7.49) | 3.7 / 20.69 (1.05/ 5.88) | A | 15.5 | 0.68 | 12 |
| RV06AD14080000 | REV VALVE 6 UST 7/8 - 1/2 | 3.85 / 19.02 (1.09/ 5.41) | 4.54 / 23.95 (1.29/ 6.81) | 3.14 / 14.81 (0.89/ 4.21) | 4.9 / 26.35 (1.39/ 7.49) | 3.7 / 20.69 (1.05/ 5.88) | A | 15.5 | 0.68 | 12 |
| RV06AD14100000 | REV VALVE 6 UST 7/8 - 5/8 | 3.85 / 19.02 (1.09/ 5.41) | 4.54 / 23.95 (1.29/ 6.81) | 3.14 / 14.81 (0.89/ 4.21) | 4.9 / 26.35 (1.39/ 7.49) | 3.7 / 20.69 (1.05/ 5.88) | A | 15.5 | 0.72 | 12 |
| RV06AD14120000 | REV VALVE 6 UST 7/8 - 3/4 | 3.85 / 19.02 (1.09/ 5.41) | 4.54 / 23.95 (1.29/ 6.81) | 3.14 / 14.81 (0.89/ 4.21) | 4.9 / 26.35 (1.39/ 7.49) | 3.7 / 20.69 (1.05/ 5.88) | A | 15.5 | 0.72 | 12 |
| RV10AD14080000 | REV VALVE 10 UST 7/8 - 1/2 | 11.22 / 33.11 (3.19/ 9.41) | 13.01 / 41.88 (3.7/ 11.91) | 9.82 / 26.05 (2.79/ 7.41) | 14.05 / 46.07 (4/ 13.1) | 11.08 / 36.56 (3.15/ 10.4) | A | 19.0 | 1.19 | 8 |
| RV10AD14120000 | REV VALVE 10 UST 7/8 - 3/4 RECIPR | 11.22 / 33.11 (3.19/ 9.41) | 13.01 / 41.88 (3.7/ 11.91) | 9.82 / 26.05 (2.79/ 7.41) | 14.05 / 46.07 (4/ 13.1) | 11.08 / 36.56 (3.15/ 10.4) | A | 19.0 | 1.19 | 8 |

| Part number | Description Pipe size (inches) | CAPACITY 1 MIN. - MAX. | | | | | Layout | Port (Ø) | Weight (kg) | Master Carton |
|----------------|--|--------------------------------|--------------------------------|--------------------------------|--------------------------------|--------------------------------|--------|-------------|----------------|------------------|
| | | R407C | R410A | R134a | R32 | R290 | | | | |
| | | kW (US Ton) min./max. | kW (US Ton) min./max. | kW (US Ton) min./max. | kW (US Ton) min./max. | kW (US Ton) min./max. | | | | |
| RV10AD141200S0 | REV VALVE 10 UST 7/8 - 3/4 | 11.22 / 33.11 (3.19/ 9.41) | 13.01 / 41.88 (3.7/ 11.91) | 9.82 / 26.05 (2.79/ 7.41) | 14.05 / 46.07 (4/ 13.1) | 11.08 / 36.56 (3.15/ 10.4) | A | 19.0 | 1.23 | 8 |
| RV10AD14140X00 | REV VALVE 10 UST 7/8 - 7/8 FREE | 11.22 / 33.11 (3.19/ 9.41) | 13.01 / 41.88 (3.7/ 11.91) | 9.82 / 26.05 (2.79/ 7.41) | 14.05 / 46.07 (4/ 13.1) | 11.08 / 36.56 (3.15/ 10.4) | A | 19.0 | 1.23 | 8 |
| RV10AD180M0000 | REV VALVE 10 UST 1-1/8 - METRIC | 17.21 / 37.67 (4.89/ 10.71) | 19.71 / 47.51 (5.6/ 13.51) | 14.41 / 32.36 (4.1/ 9.2) | 21.29 / 52.26 (6.05/ 14.86) | 16.62 / 41.36 (4.73/ 11.76) | A | 19.0 | 1.23 | 8 |
| RV10AD181200S0 | REV VALVE 10 UST 1-1/8 - 3/4 | 17.21 / 37.67 (4.89/ 10.71) | 19.71 / 47.51 (5.6/ 13.51) | 14.41 / 32.36 (4.1/ 9.2) | 21.29 / 52.26 (6.05/ 14.86) | 16.62 / 41.36 (4.73/ 11.76) | A | 19.0 | 1.23 | 8 |
| RV10AD18140000 | REV VALVE 10 UST 1-1/8 - 7/8 RECIPR | 17.21 / 37.67 (4.89/ 10.71) | 19.71 / 47.51 (5.6/ 13.51) | 14.41 / 32.36 (4.1/ 9.2) | 21.29 / 52.26 (6.05/ 14.86) | 16.62 / 41.36 (4.73/ 11.76) | A | 19.0 | 1.23 | 8 |
| RV10AD181400S0 | REV VALVE 10 UST 1-1/8 - 7/8 | 17.21 / 37.67 (4.89/ 10.71) | 19.71 / 47.51 (5.6/ 13.51) | 14.41 / 32.36 (4.1/ 9.2) | 21.29 / 52.26 (6.05/ 14.86) | 16.62 / 41.36 (4.73/ 11.76) | A | 19.0 | 1.23 | 8 |
| RV12FD220T0000 | REV VALVE 12 UST 1-3/8 | 22.83 / 46.82 (6.49/ 13.31) | 26.35 / 58.94 (7.49/ 16.76) | 18.97 / 36.96 (5.39/ 10.51) | 28.46 / 64.83 (8.09/ 18.43) | 22.16 / 51.7 (6.3/ 14.7) | F | 25.6 | 2.10 | 5 |
| RV15AD18140000 | REV VALVE 15 UST 1-1/8 - 7/8 | 15.81 / 54.54 (4.5/ 15.51) | 15.81 / 61.58 (4.5/ 17.51) | 12.28 / 40.83 (3.49/ 11.61) | 17.07 / 67.74 (4.85/ 19.26) | 16.6 / 55.4 (4.72/ 15.75) | A | 23 | 1.85 | 7 |

| Part number | Description Pipe size (inches) | CAPACITY 2 MIN. - MAX. | | | | | Layout | Port (Ø) | Weight (kg) | Master Carton |
|----------------|---|-------------------------------|--------------------------------|-------------------------------|--------------------------------|-------------------------------|--------|-------------|----------------|------------------|
| | | R407C | R410A | R32 | R134a | R290 | | | | |
| | | kW (US Ton) min./max. | kW (US Ton) min./max. | kW (US Ton) min./max. | kW (US Ton) min./max. | kW (US Ton) min./max. | | | | |
| RV00BD06050000 | REV VALVE 0.5 UST 3/8 - 5/16 U DISCH | 1.43 / 3.37 (0.41/ 0.96) | 1.66 / 4.2 (0.47/ 1.19) | 1.23 / 2.59 (0.35/ 0.74) | 1.8 / 4.62 (0.51/ 1.31) | 1.4 / 3.62 (0.4/ 1.03) | B | 8 | 0.19 | 45 |
| RV01AD06060000 | REV VALVE 1 UST 3/8 - 3/8 | 1.51 / 5.02 (0.43/ 1.43) | 1.88 / 6.53 (0.53/ 1.86) | 1.51 / 4.25 (0.43/ 1.21) | 2.03 / 7.19 (0.58/ 2.04) | 1.61 / 5.62 (0.46/ 1.6) | A | 11.1 | 0.19 | 18 |
| RV01AD06050000 | REV VALVE 1 UST 3/8 - 5/16 | 1.51 / 5.02 (0.43/ 1.43) | 1.88 / 6.53 (0.53/ 1.86) | 1.51 / 4.25 (0.43/ 1.21) | 2.03 / 7.19 (0.58/ 2.04) | 1.61 / 5.62 (0.46/ 1.6) | A | 11.1 | 0.19 | 18 |
| RV01AD08050000 | REV VALVE 1 UST 1/2 - 5/16 | 1.51 / 5.02 (0.43/ 1.43) | 1.88 / 6.53 (0.53/ 1.86) | 1.51 / 4.25 (0.43/ 1.21) | 2.03 / 7.19 (0.58/ 2.04) | 1.61 / 5.62 (0.46/ 1.6) | A | 11.1 | 0.19 | 18 |
| RV01BD06050000 | REV VALVE 1 UST 3/8 - 5/16 U DISCH | 1.51 / 5.02 (0.43/ 1.43) | 1.88 / 6.53 (0.53/ 1.86) | 1.51 / 4.25 (0.43/ 1.21) | 2.03 / 7.19 (0.58/ 2.04) | 1.61 / 5.62 (0.46/ 1.6) | B | 11.1 | 0.27 | 18 |
| RV01BD06060000 | REV VALVE 1 UST 3/8 - 3/8 U DISCH | 1.51 / 5.02 (0.43/ 1.43) | 1.88 / 6.53 (0.53/ 1.86) | 1.51 / 4.25 (0.43/ 1.21) | 2.03 / 7.19 (0.58/ 2.04) | 1.61 / 5.62 (0.46/ 1.6) | B | 11.1 | 0.27 | 18 |
| RV01AD08060000 | REV VALVE 1 UST 1/2 - 3/8 | 1.51 / 5.02 (0.43/ 1.43) | 1.88 / 6.53 (0.53/ 1.86) | 1.51 / 4.25 (0.43/ 1.21) | 2.03 / 7.19 (0.58/ 2.04) | 1.61 / 5.62 (0.46/ 1.6) | A | 11.1 | 0.19 | 18 |
| RV01BD08060000 | REV VALVE 1 UST 1/2 - 3/8 U DISCH | 1.51 / 5.02 (0.43/ 1.43) | 1.88 / 6.53 (0.53/ 1.86) | 1.51 / 4.25 (0.43/ 1.21) | 2.03 / 7.19 (0.58/ 2.04) | 1.61 / 5.62 (0.46/ 1.6) | B | 11.1 | 0.28 | 18 |
| RV02AD08060000 | REV VALVE 2 UST 1/2 - 3/8 | 3.03 / 6.9 (0.86/ 1.96) | 3.45 / 8.37 (0.98/ 2.38) | 2.65 / 5.38 (0.75/ 1.53) | 3.72 / 9.21 (1.06/ 2.62) | 3 / 7.22 (0.85/ 2.05) | A | 11.1 | 0.28 | 18 |
| RV02BD08060000 | REV VALVE 2 UST 1/2 - 3/8 U DISCH | 3.03 / 6.9 (0.86/ 1.96) | 3.45 / 8.37 (0.98/ 2.38) | 2.65 / 5.38 (0.75/ 1.53) | 3.72 / 9.21 (1.06/ 2.62) | 3 / 7.22 (0.85/ 2.05) | B | 11.1 | 0.28 | 18 |
| RV02CD10060000 | REV VALVE 2 UST 5/8 - 3/8 | 4.18 / 7.72 (1.19/ 2.19) | 4.93 / 9.58 (1.4/ 2.72) | 3.41 / 6.12 (0.97/ 1.74) | 5.33 / 10.53 (1.52/ 3) | 4.01 / 8.43 (1.14/ 2.4) | C | 11.1 | 0.28 | 18 |
| RV02DD10060000 | REV VALVE 2 UST 5/8 - 3/8 U DISCH | 4.18 / 7.72 (1.19/ 2.19) | 4.93 / 9.58 (1.4/ 2.72) | 3.41 / 6.12 (0.97/ 1.74) | 5.33 / 10.53 (1.52/ 3) | 4.02 / 8.43 (1.14/ 2.4) | D | 11.1 | 0.30 | 18 |
| RV03ED10080000 | REV VALVE 3 UST 5/8 - 1/2 | 4.18 / 10.38 (1.19/ 2.95) | 4.93 / 13.02 (1.4/ 3.7) | 3.41 / 8.07 (0.97/ 2.29) | 5.33 / 14.32 (1.52/ 4.07) | 4.02 / 11.24 (1.14/ 3.2) | E | 11.5 | 0.32 | 12 |
| RV03ED12080000 | REV VALVE 3 UST 3/4 - 1/2 | 4.18 / 10.76 (1.19/ 3.06) | 4.93 / 13.42 (1.4/ 3.82) | 3.41 / 8.46 (0.97/ 2.4) | 5.33 / 14.77 (1.52/ 4.2) | 4.02 / 12.04 (1.14/ 3.42) | E | 11.5 | 0.35 | 12 |
| RV03CD10080000 | REV VALVE 3 UST 5/8 - 1/2 CENT DISCH | 4.18 / 10.38 (1.19/ 2.95) | 4.93 / 13.02 (1.4/ 3.7) | 3.41 / 8.07 (0.97/ 2.29) | 5.33 / 14.32 (1.52/ 4.07) | 4.02 / 11.24 (1.14/ 3.2) | C | 11.5 | 0.32 | 12 |
| RV03DD10080000 | REV VALVE 3 UST 5/8 - 1/2 U DISCH | 4.18 / 10.38 (1.19/ 2.95) | 4.93 / 13.02 (1.4/ 3.7) | 3.41 / 8.07 (0.97/ 2.29) | 5.33 / 14.32 (1.52/ 4.07) | 4.02 / 11.24 (1.14/ 3.2) | D | 11.5 | 0.32 | 12 |
| RV06AD12080000 | REV VALVE 6 UST 3/4 - 1/2 | 4.18 / 20.67 (1.19/ 5.88) | 4.93 / 26.03 (1.4/ 7.4) | 3.41 / 17.59 (0.97/ 5) | 5.33 / 28.64 (1.52/ 8.14) | 4.02 / 22.48 (1.14/ 6.39) | A | 15.5 | 0.68 | 12 |
| RV06AD14080000 | REV VALVE 6 UST 7/8 - 1/2 | 4.18 / 20.67 (1.19/ 5.88) | 4.93 / 26.03 (1.4/ 7.4) | 3.41 / 17.59 (0.97/ 5) | 5.33 / 28.64 (1.52/ 8.14) | 4.02 / 22.48 (1.14/ 6.39) | A | 15.5 | 0.68 | 12 |
| RV06AD14100000 | REV VALVE 6 UST 7/8 - 5/8 | 4.18 / 20.67 (1.19/ 5.88) | 4.93 / 26.03 (1.4/ 7.4) | 3.41 / 17.59 (0.97/ 5) | 5.33 / 28.64 (1.52/ 8.14) | 4.02 / 22.48 (1.14/ 6.39) | A | 15.5 | 0.72 | 12 |
| RV06AD14120000 | REV VALVE 6 UST 7/8 - 3/4 | 4.18 / 20.67 (1.19/ 5.88) | 4.93 / 26.03 (1.4/ 7.4) | 3.41 / 17.59 (0.97/ 5) | 5.33 / 28.64 (1.52/ 8.14) | 4.02 / 22.48 (1.14/ 6.39) | A | 15.5 | 0.72 | 12 |
| RV10AD14080000 | REV VALVE 10 UST 7/8 - 1/2 | 12.2 / 35.99 (3.47/ 10.23) | 14.14 / 45.52 (4.02/ 12.94) | 10.67 / 28.32 (3.03/ 8.05) | 15.27 / 50.07 (4.34/ 14.24) | 12.04 / 39.74 (3.42/ 11.3) | A | 19.0 | 1.19 | 8 |
| RV10AD14120000 | REV VALVE 10 UST 7/8 - 3/4 RECIPR | 12.2 / 35.99 (3.47/ 10.23) | 14.14 / 45.52 (4.02/ 12.94) | 10.67 / 28.32 (3.03/ 8.05) | 15.27 / 50.07 (4.34/ 14.24) | 12.04 / 39.74 (3.42/ 11.3) | A | 19.0 | 1.19 | 8 |
| RV10AD141200S0 | REV VALVE 10 UST 7/8 - 3/4 | 12.2 / 35.99 (3.47/ 10.23) | 14.14 / 45.52 (4.02/ 12.94) | 10.67 / 28.32 (3.03/ 8.05) | 15.27 / 50.07 (4.34/ 14.24) | 12.04 / 39.74 (3.42/ 11.3) | A | 19.0 | 1.23 | 8 |

| Part number | Description Pipe size (inches) | CAPACITY 2 MIN. - MAX. | | | | | Layout | Port (Ø) | Weight (kg) | Master Carton |
|----------------|--|--------------------------------|--------------------------------|--------------------------------|--------------------------------|--------------------------------|--------|-------------|----------------|------------------|
| | | R407C | R410A | R32 | R134a | R290 | | | | |
| | | kW (US Ton) min./max. | kW (US Ton) min./max. | kW (US Ton) min./max. | kW (US Ton) min./max. | kW (US Ton) min./max. | | | | |
| RV10AD14140X00 | REV VALVE 10 UST 7/8 - 7/8 FREE | 12.2 / 35.99 (3.47/ 10.23) | 14.14 / 45.52 (4.02/ 12.94) | 10.67 / 28.32 (3.03/ 8.05) | 15.27 / 50.07 (4.34/ 14.24) | 12.04 / 39.74 (3.42/ 11.3) | A | 19.0 | 1.23 | 8 |
| RV10AD180M0000 | REV VALVE 10 UST 1-1/8 - METRIC | 18.71 / 40.95 (5.32/ 11.64) | 21.42 / 51.64 (6.09/ 14.68) | 15.66 / 35.17 (4.45/ 10) | 23.14 / 56.81 (6.58/ 16.15) | 18.07 / 44.96 (5.14/ 12.78) | A | 19.0 | 1.23 | 8 |
| RV10AD181200S0 | REV VALVE 10 UST 1-1/8 - 3/4 | 18.71 / 40.95 (5.32/ 11.64) | 21.42 / 51.64 (6.09/ 14.68) | 15.66 / 35.17 (4.45/ 10) | 23.14 / 56.81 (6.58/ 16.15) | 18.07 / 44.96 (5.14/ 12.78) | A | 19.0 | 1.23 | 8 |
| RV10AD18140000 | REV VALVE 10 UST 1-1/8 - 7/8 RECIPR | 18.71 / 40.95 (5.32/ 11.64) | 21.42 / 51.64 (6.09/ 14.68) | 15.66 / 35.17 (4.45/ 10) | 23.14 / 56.81 (6.58/ 16.15) | 18.07 / 44.96 (5.14/ 12.78) | A | 19.0 | 1.23 | 8 |
| RV10AD181400S0 | REV VALVE 10 UST 1-1/8 - 7/8 | 18.71 / 40.95 (5.32/ 11.64) | 21.42 / 51.64 (6.09/ 14.68) | 15.66 / 35.17 (4.45/ 10) | 23.14 / 56.81 (6.58/ 16.15) | 18.07 / 44.96 (5.14/ 12.78) | A | 19.0 | 1.23 | 8 |
| RV12FD220T0000 | REV VALVE 12 UST 1-3/8 | 24.82 / 50.89 (7.06/ 14.47) | 28.64 / 64.07 (8.14/ 18.22) | 20.62 / 40.17 (5.86/ 11.42) | 30.93 / 70.47 (8.8/ 20.04) | 24.08 / 56.2 (6.85/ 15.98) | F | 25.6 | 2.10 | 5 |
| RV15AD18140000 | REV VALVE 15 UST 1-1/8 - 7/8 | 17.18 / 59.28 (4.89/ 16.86) | 17.18 / 66.93 (4.89/ 19.03) | 13.35 / 44.38 (3.8/ 12.62) | 18.56 / 73.63 (5.28/ 20.93) | 18.04 / 60.22 (5.13/ 17.12) | A | 23 | 1.85 | 7 |

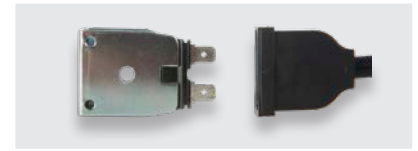


Pilot action models

| Part number | Description Pipe size (inches) | CAPACITY 1 MIN. - MAX. | | | | | Layout | Port (Ø) | Weight (kg) | Master Carton |
|----------------|---------------------------------------|---------------------------------|----------------------------------|---------------------------------|----------------------------------|----------------------------------|--------|-------------|----------------|------------------|
| | | R407C | R410A | R32 | R134a | R290 | | | | |
| | | kW (US Ton) min./max. | kW (US Ton) min./max. | kW (US Ton) min./max. | kW (US Ton) min./max. | kW (US Ton) min./max. | | | | |
| RV20AP20160000 | VALV. DI INV. 20 UST 1-1/4 - 1 | 17.56 / 72.48 (4.99/ 20.61) | 17.59 / 81.64 (5/ 23.21) | 13.69 / 54.19 (3.89/ 15.41) | 19 / 89.8 (5.4/ 25.53) | 18.47 / 73.86 (5.25/ 21) | A | 34.6 | 3.35 | 1 |
| RV20AP22180000 | VALV. DI INV. 20 UST 1-3/8 - 1-1/8 | 17.56 / 72.48 (4.99/ 20.61) | 17.59 / 81.64 (5/ 23.21) | 13.69 / 54.19 (3.89/ 15.41) | 19 / 89.8 (5.4/ 25.53) | 18.47 / 73.86 (5.25/ 21) | A | 26.0 | 3.25 | 1 |
| RV30AP24200000 | VALV. DI INV. 30 UST 1-1/2 - 1-1/4 | 26.35 / 108.72 (7.49/ 30.91) | 26.36 / 122.44 (7.5/ 34.81) | 20.36 / 81.28 (5.79/ 23.11) | 28.47 / 134.68 (8.09/ 38.3) | 27.68 / 110.79 (7.87/ 31.5) | A | 34.6 | 3.38 | 1 |
| RV40AP28240000 | VALV. DI INV. 40 UST 1-3/4 - 1-1/2 | 35.14 / 144.95 (9.99/ 41.21) | 35.16 / 163.25 (10/ 46.42) | 27.03 / 108.36 (7.69/ 30.81) | 37.97 / 179.58 (10.8/ 51.06) | 36.92 / 147.71 (10.5/ 42) | A | 41 | 7.15 | 1 |
| RV40AP26240000 | VALV. DI INV. 40 UST 1-5/8 - 1-1/2 | 35.14 / 144.95 (9.99/ 41.21) | 35.16 / 163.25 (10/ 46.42) | 27.03 / 108.36 (7.69/ 30.81) | 37.97 / 179.58 (10.8/ 51.06) | 36.92 / 147.71 (10.5/ 42) | A | 41 | 7.25 | 1 |
| RV50AP34240000 | VALV. DI INV. 50 UST 2-1/8 - 1-1/2 | 35.14 / 181.13 (9.99/ 51.5) | 35.21 / 203.99 (10.01/ 58) | 27.03 / 135.4 (7.69/ 38.5) | 38.03 / 224.39 (10.01/ 58) | 36.93 / 184.64 (10.5/ 52.5) | A | 46.4 | 7.35 | 1 |
| RV60AP42260000 | VALV. DI INV. 60 UST 2-5/8 - 1-5/8 | 38.3 / 197.43 (10.89/ 56.14) | 38.38 / 222.35 (10.91/ 63.22) | 29.46 / 147.59 (8.38/ 41.96) | 41.45 / 244.59 (11.79/ 69.54) | 40.26 / 201.26 (11.45/ 57.23) | A | 50.2 | 7.60 | 1 |

| Part number | Description Pipe size (inches) | CAPACITY 2 MIN. - MAX. | | | | | Layout | Port (Ø) | Weight (kg) | Master Carton |
|----------------|---------------------------------------|---------------------------------|----------------------------------|---------------------------------|----------------------------------|----------------------------------|--------|-------------|----------------|------------------|
| | | R407C | R410A | R134a | R32 | R290 | | | | |
| | | kW (US Ton) min./max. | kW (US Ton) min./max. | kW (US Ton) min./max. | kW (US Ton) min./max. | kW (US Ton) min./max. | | | | |
| RV20AP20160000 | VALV. DI INV. 20 UST 1-1/4 - 1 | 19,09 / 78,78 (5,43/ 22,4) | 19,12 / 88,74 (5,44/ 25,23) | 14,88 / 58,9 (4,23/ 16,75) | 20,65 / 97,61 (5,87/ 27,75) | 20,08 / 80,28 (5,71/ 22,83) | A | 34.6 | 3.35 | 1 |
| RV20AP22180000 | VALV. DI INV. 20 UST 1-3/8 - 1-1/8 | 19,09 / 78,78 (5,43/ 22,4) | 19,12 / 88,74 (5,44/ 25,23) | 14,88 / 58,9 (4,23/ 16,75) | 20,65 / 97,61 (5,87/ 27,75) | 20,08 / 80,28 (5,71/ 22,83) | A | 26.0 | 3.25 | 1 |
| RV30AP24200000 | VALV. DI INV. 30 UST 1-1/2 - 1-1/4 | 28,64 / 118,17 (8,14/ 33,6) | 28,65 / 133,09 (8,15/ 37,84) | 22,13 / 88,35 (6,29/ 25,12) | 30,94 / 146,4 (8,8/ 41,63) | 30,08 / 120,42 (8,55/ 34,24) | A | 34.6 | 3.38 | 1 |
| RV40AP28240000 | VALV. DI INV. 40 UST 1-3/4 - 1-1/2 | 38,2 / 157,55 (10,86/ 44,8) | 38,22 / 177,45 (10,87/ 50,45) | 29,38 / 117,78 (8,35/ 33,49) | 41,27 / 195,19 (11,74/ 55,5) | 40,13 / 160,56 (11,41/ 45,65) | A | 41 | 7.15 | 1 |
| RV40AP26240000 | VALV. DI INV. 40 UST 1-5/8 - 1-1/2 | 38,2 / 157,55 (10,86/ 44,8) | 38,22 / 177,45 (10,87/ 50,45) | 29,38 / 117,78 (8,35/ 33,49) | 41,27 / 195,19 (11,74/ 55,5) | 40,13 / 160,56 (11,41/ 45,65) | A | 41 | 7.25 | 1 |
| RV50AP34240000 | VALV. DI INV. 50 UST 2-1/8 - 1-1/2 | 38,2 / 196,88 (10,86/ 55,98) | 38,27 / 221,73 (10,88/ 63,04) | 29,38 / 147,17 (8,35/ 41,85) | 41,33 / 243,9 (10,01/ 58) | 40,14 / 200,7 (11,41/ 57,07) | A | 46.4 | 7.35 | 1 |
| RV60AP42260000 | VALV. DI INV. 60 UST 2-5/8 - 1-5/8 | 41,63 / 214,6 (11,84/ 61,02) | 41,72 / 241,68 (11,86/ 68,72) | 32,02 / 160,42 (9,1/ 45,61) | 45,05 / 265,85 (12,81/ 75,59) | 43,76 / 218,77 (12,44/ 62,2) | A | 50.2 | 7.60 | 1 |

Coils



COILS

| Part number | Description | Power supply | Frequency | Power 50/60 Hz (W) | Cable length | |
|----------------|--|--------------|-----------|--------------------|--------------|--------|
| | | | | | mm | inches |
| RVCKA702400000 | Reversing Valve COIL 24 Vac without cable | 24 Vac | 50/60 Hz | 5.5 / 3.5 | - | - |
| RVCKA612000000 | Reversing Valve COIL 120 Vac without cable | 120 Vac | 50/60 Hz | 5.5 / 3.5 | - | - |
| RVCKA723000000 | Reversing Valve COIL 230 Vac without cable | 230 Vac | 50/60 Hz | 5.5 / 3.5 | - | - |
| RVCKD001200000 | Reversing Valve COIL 12 Vdc without cable | 12 Vdc | - | 10 | - | - |
| RVCKD002400000 | Reversing Valve COIL 24 Vdc without cable | 24 Vdc | - | 10 | - | - |
| RVCLA702404800 | Reversing Valve COIL 24 Vac cable 48" | 24 Vac | 50/60 Hz | 5.5 / 3.5 | 1200 | 48 |
| RVCLA612004800 | Reversing Valve COIL 120 Vac cable 48" | 120 Vac | 50/60 Hz | 5.5 / 3.5 | 1200 | 48 |
| RVCLA723004800 | Reversing Valve COIL 230 Vac cable 48" | 230 Vac | 50/60 Hz | 5.5 / 3.5 | 1200 | 48 |

other cable lengths available on request



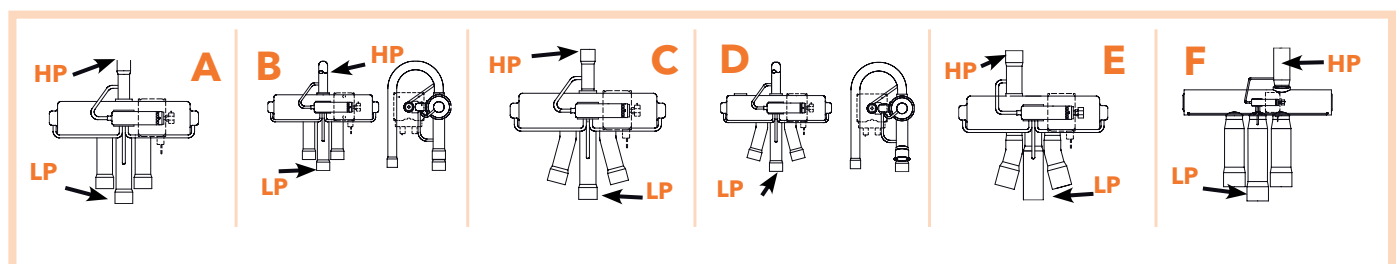
| Part number | Description | Power supply | Frequency | Power 50/60 Hz | Cable length | |
|----------------|--|--------------|-----------|----------------|--------------|--------|
| | | | | | mm | inches |
| RVCCOW29048000 | Reversing Valve cable 48" K style coil | - | - | - | 1200 | 48 |

other cable lengths available on request



| Part number | Description | Power supply | Frequency | Power 50/60 Hz | Cable length | |
|----------------|------------------|--------------|-----------|----------------|--------------|--------|
| | | | | | mm | inches |
| RV00H7-60A0000 | pilot coil screw | - | - | - | - | - |

Layout



NOTE: capacities 1 are based on the following conditions:

- evaporating temperature: 7.2 °C;
- condensing temperature: 55 °C;
- sub cooling: 5.0 °C;
- superheat: 5.0 °C;
- pressure drop: 0.014 MPa

NOTE: capacities 2 are based on the following conditions:

- evaporating temperature: 5 °C;
- condensing temperature: 38 °C;
- sub cooling: 0 °C;
- superheat: 5.0 °C;
- pressure drop: 0.01 MPa

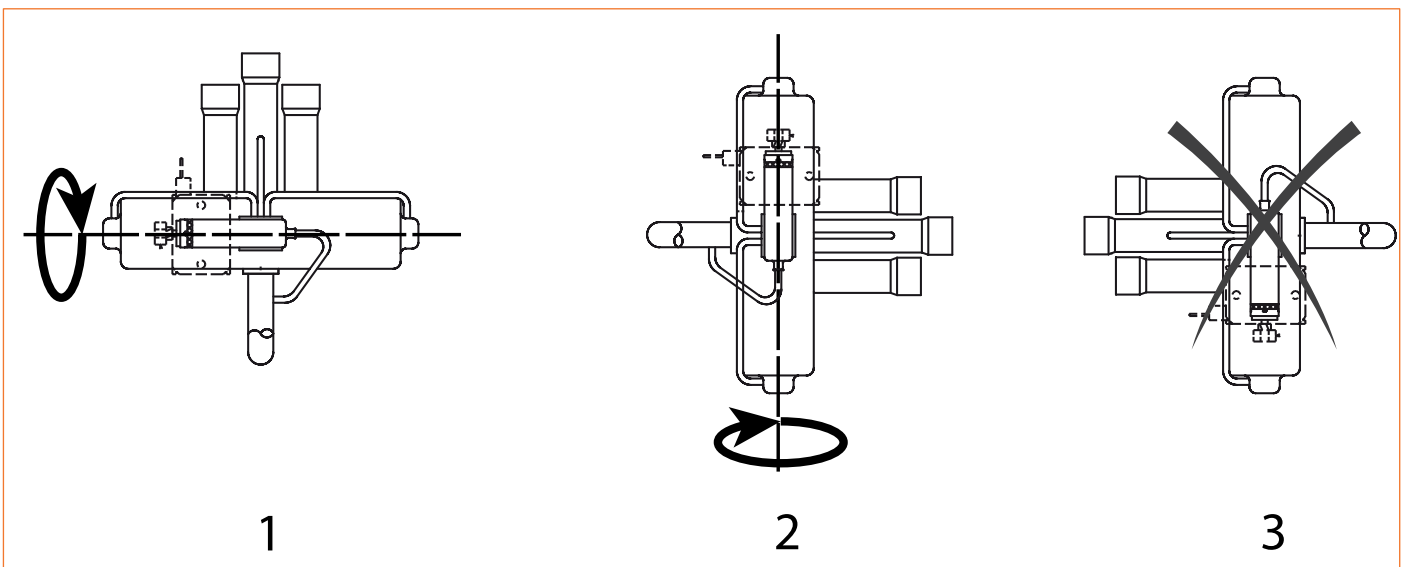
RV00÷RV60 operating specifications

- Minimum ΔP to reverse 0.1 MPa
- Maximum ΔP to reverse 3.0 MPa
- Maximum operating pressure: 4.69 MPa
- Minimum burst pressure: 17.24 MPa
- Maximum operating temperature 135 °C.

INSTALLATION INSTRUCTIONS

| | |
|--|---|
| | Make sure there is a sufficient volume of fluid to allow reversing action especially at low pressure value. |
| | To prevent dust and moisture entering the valves, tubes are provided with protection tube caps. |
| | Valve body should be protected with water or wet clothes during brazing in order not to exceed 120 °C. |
| | Recommended mounting position is horizontal. Valve should be installed as illustrations, and in place where there is little vibration. |
| | Valve should be stored in dry place. Keep moisture, dust and any foreign matter from entering valve. |

MOUNTING POSITIONS



| | | |
|---|---|------------------|
| 1 | Valve can be rotated 360° around horizontal axis of valve | ALLOWED |
| 2 | Valve can be rotated 360° around vertical axis of valve, with coil up | ALLOWED |
| 3 | Coil down | FORBIDDEN |

Life Is On



ITALY - HEADQUARTERS

Eliwell Controls Srl

Via dell' Industria, 15 Z. I. Paludi
32016 Alpago (BL) - Italy
T +39 0437 986 111

Sales

T +39 0437 986 100 (Italy)
T +39 0437 986 200 (other countries)
E saleseliwell@se.com

Technical support

T +39 0437 986 300
E techsuppeliwell@se.com



Contact us

Follow us on



www.eliwell.com

CT123282 • rel. 09/22
© 2022 Eliwell • All rights reserved

Eliwell has been developing and producing control systems and services for commercial and industrial refrigeration since 1980. It embodies the success story of an Italian company that has been bringing Italian-made technological development to the world for 40 years. Schneider Electric has been part of the group since 2014 and represents its centre of excellence for HVACR applications. Today Eliwell, together with Schneider Electric, is the global partner providing efficient and sustainable solutions and services for food storage and distribution systems, and for systems dedicated to ambient comfort, for the integrated control of resources.