



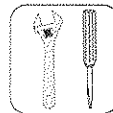
www.esbe.se



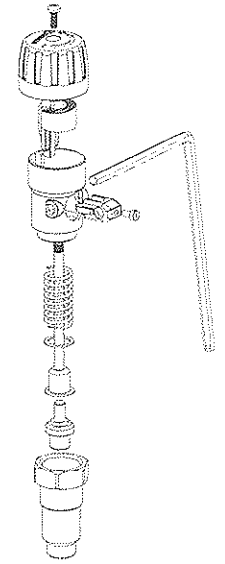
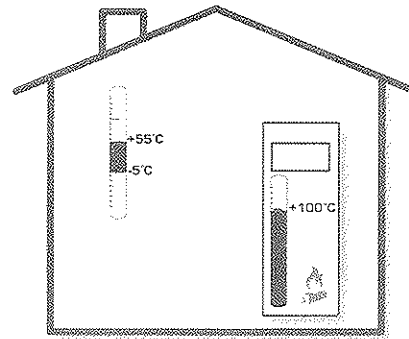
**SERIES ATA200**



**NO.1 IN HYDRONIC SYSTEM CONTROL**



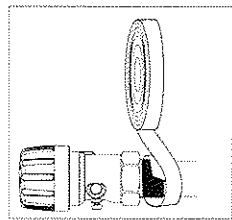
Series ATA212  
Series ATA222



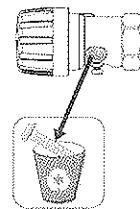
Mtrf.nr. 9814 04 10 • Rit.nr. 9222 utg A • Rev. 1101

**1**

**2**



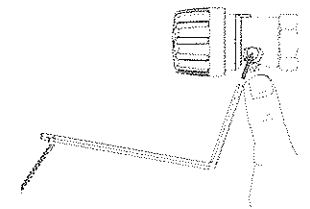
**1**



**2**

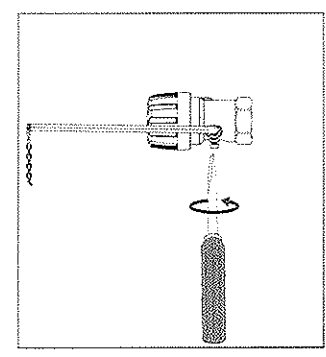
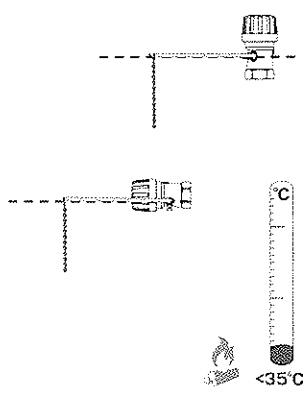
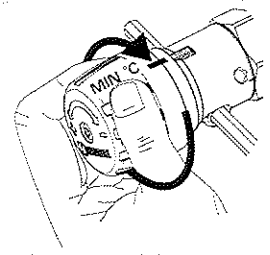


**3**



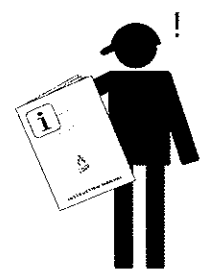
**3**

ATA200: Min 35°C/Min 60°C

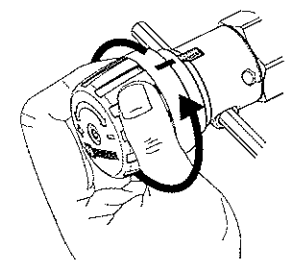


**4**

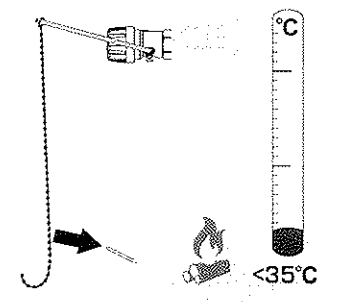
°C MAX ?



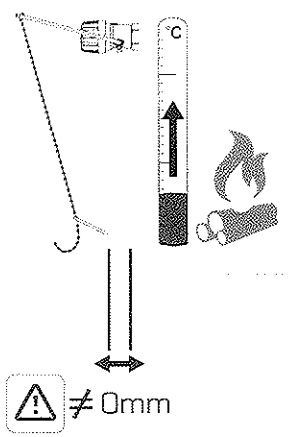
: Max °C



**5**



**7**



**8**

