



EBARA

IDROGO

5" SUBMERSED CENTRIFUGAL ELECTRIC PUMP

60 Hz



5" SUBMERSED CENTRIFUGAL ELECTRIC PUMPS

in AISI 304



5" submersed multistage centrifugal electric pumps in AISI 304.

APPLICATIONS

- Moving clear water from wells, cisterns and primary collection reservoirs
- Pressure boosting domestic plants
- Small-sale irrigation
- Washing vehicles
- General pressure increases

TECHNICAL DETAILS

- Equipped with twin mechanical seal with interposed oil chamber
- Supplied with 20 m of H05VV-F power cable
- Single phase version with float on request
- Installation: in horizontal and vertical position

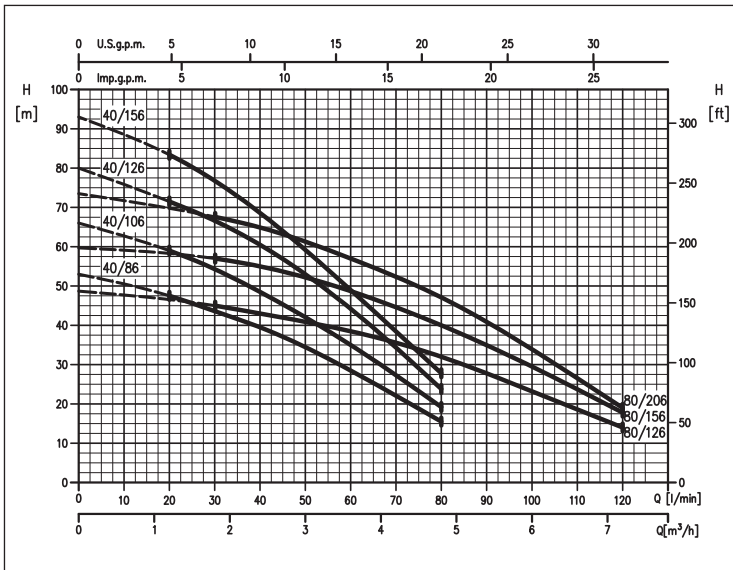
TECHNICAL DATA

- Maximum working pressure: 10 bar
- Maximum temperature of the liquid: 40°C
- Maximum immersion: 20 m, (10 m with float)
- 2 pole self-ventilated asynchronous motor cooled via the moving liquid
- Class of insulation F
- IPX8 Protection rating
- 220-230V $\pm 6\%$, 60Hz single phase voltage
- 380V -6%+10%, 60Hz three phase voltage
- Permanent capacitor inserted and thermo-ampereometric protection with automatic reset incorporated for the single phase motor
- Protection under user's responsibility for the three phase version
- G 1¼ discharge connection

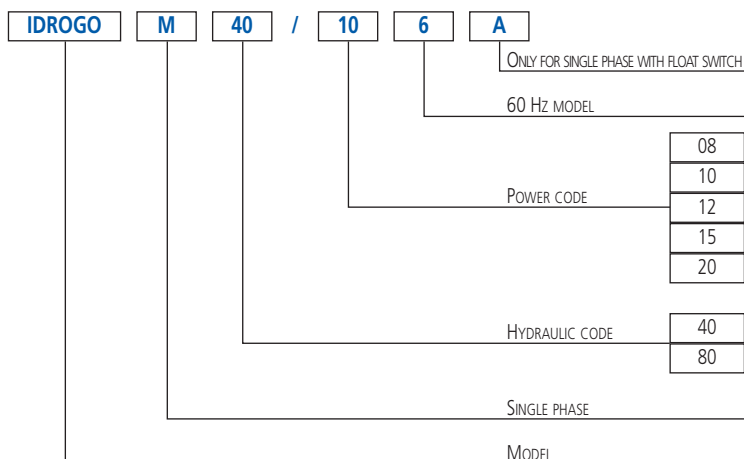
MATERIALS

- External casing, motor cover, seal housing disc, filter and closing ring in AISI 304
- Impeller, nozzle and spacer in PPO reinforced with fibreglass
- Shaft in AISI 431
- Upper mechanical seal (motor side) in Carbon/Ceramic/NBR and lower (pump side) in SiC/Carbon/NBR

PERFORMANCE CURVES (according to ISO 9906 Attachment A)



IDENTIFICATION CODE

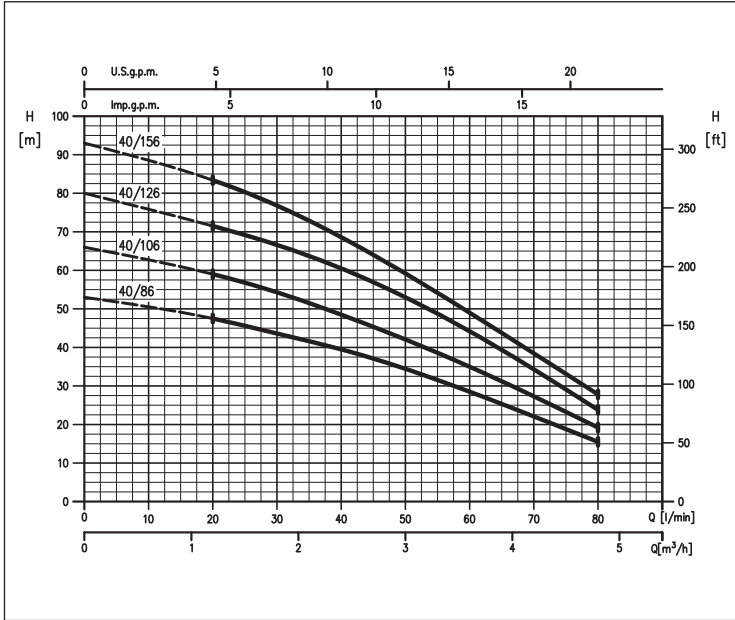


5" SUBMERSED CENTRIFUGAL ELECTRIC PUMPS

in AISI 304

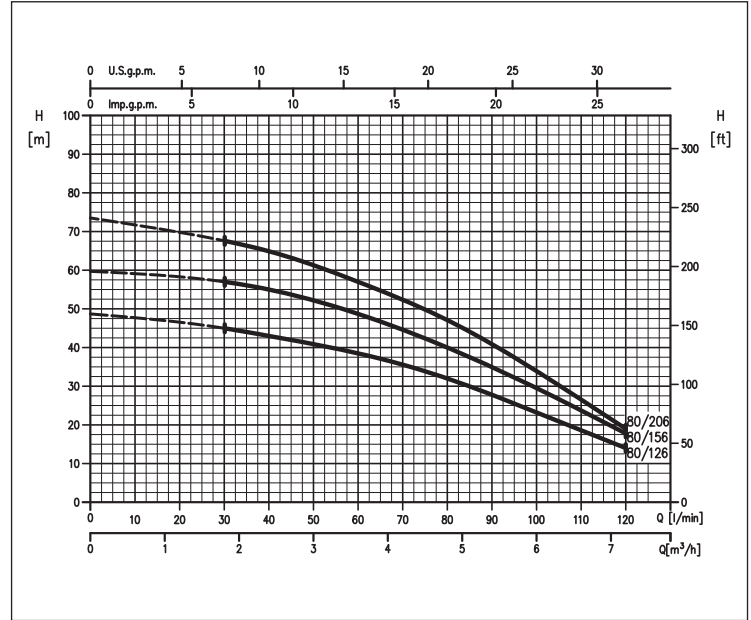
IDROGO 40 range PERFORMANCE CURVES

(according to ISO 9906 Attachment A)



IDROGO 80 range PERFORMANCE CURVES

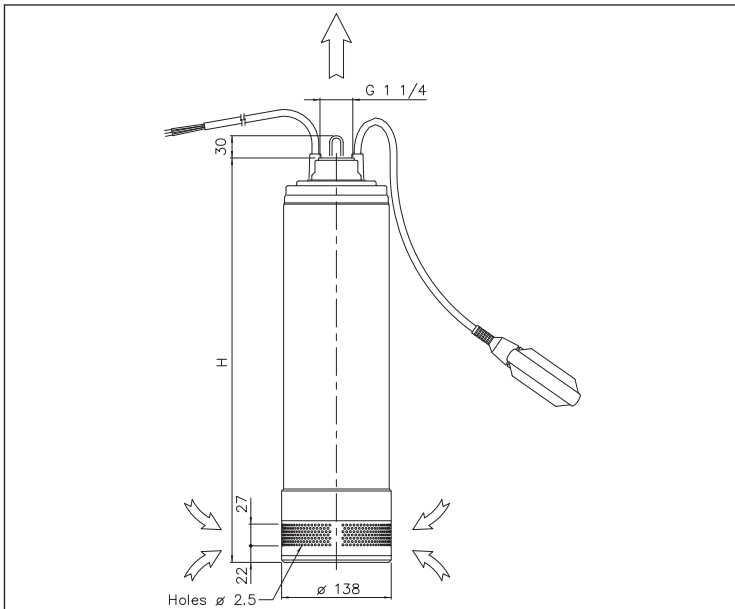
(according to ISO 9906 Attachment A)



PERFORMANCE TABLE

Single phase 220-230V	Model	Three phase 380V	P ₂		Q=Flow rate							
			[HP]	[kW]	l/min m ³ /h	20 1,2	30 1,8	40 2,4	60 3,6	80 4,8	100 6	120 7,2
	IDROGO M 40/86	IDROGO 40/86	0,8	0,6	47,5	43,5	39,5	28,5	15,5	-	-	
	IDROGO M 40/106	IDROGO 40/106	1	0,75	59,0	54,5	48,5	35,0	19,2	-	-	
	IDROGO M 40/126	IDROGO 40/126	1,2	0,9	71,5	66,5	60,5	44,0	23,8	-	-	
	IDROGO M 40/156	IDROGO 40/156	1,5	1,1	83,5	76,5	68,5	49,0	27,8	-	-	
	IDROGO M 80/126	IDROGO 80/126	1,2	0,9	-	45,0	43,0	38,5	32,0	23,2	14,0	
	IDROGO M 80/156	IDROGO 80/156	1,5	1,1	-	57,0	55,0	48,5	40,0	29,5	17,8	
	-	IDROGO 80/206	2	1,5	-	67,5	65,0	57,0	47,0	33,9	19,0	

DIMENSIONS



DIMENSIONAL TABLE

Model	Dimensions [mm]		Weight [kg]	
	H	H1	[2]	[1]
IDROGO 40/86	513	250	14,5	14,0
IDROGO 40/106	539	275	15,5	15,0
IDROGO 40/126	590	300	17,0	16,5
IDROGO 40/156	616	325	18,0	17,2
IDROGO 80/126	540	250	15,8	15,2
IDROGO 80/156	564	275	17,0	16,5
IDROGO 80/206	590	300	-	17,5

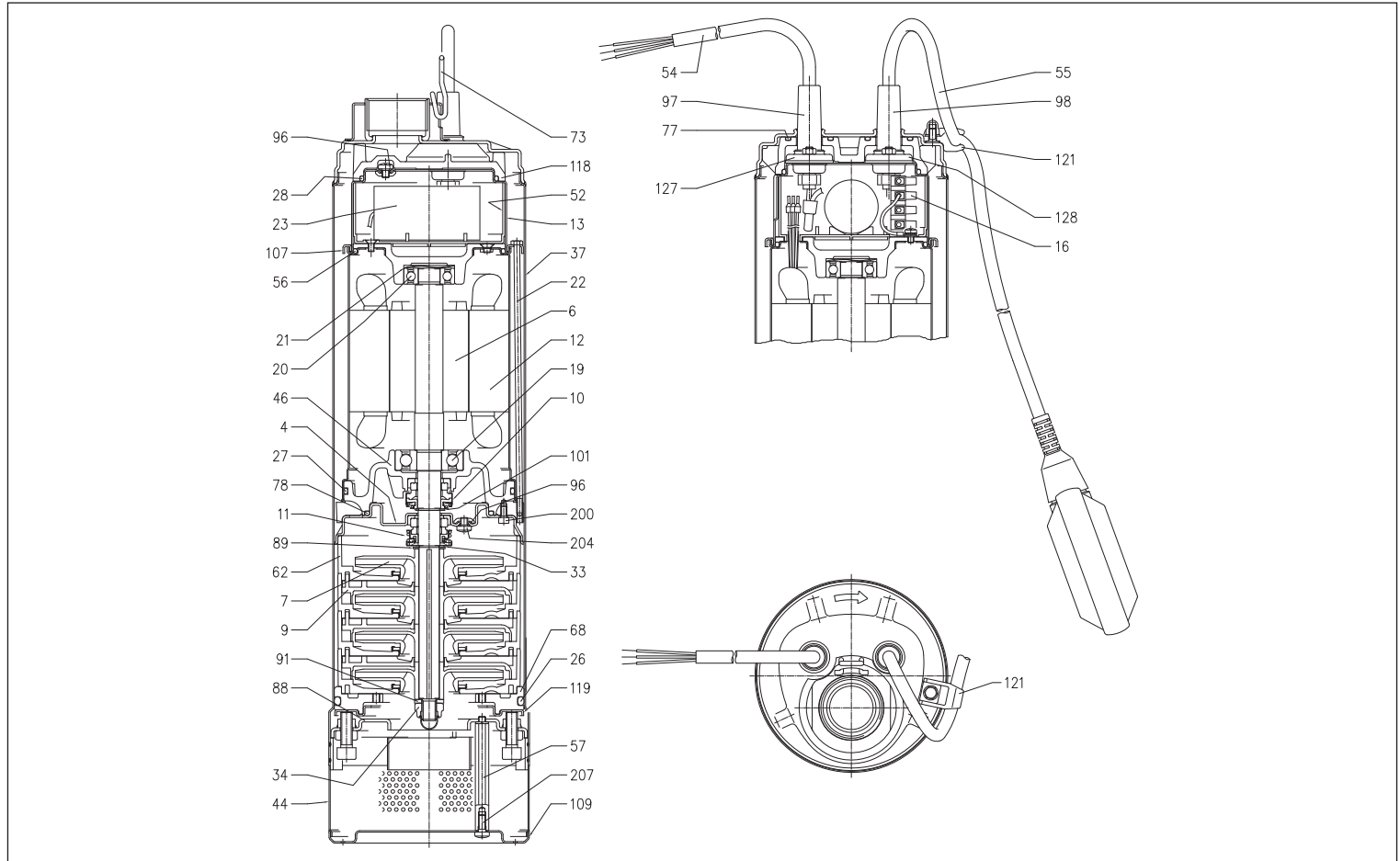
[1]= Three phase only

[2]= Single phase only

5" SUBMERSED CENTRIFUGAL ELECTRIC PUMPS

in AISI 304

SECTIONAL VIEW



MATERIALS TABLE

Ref.	Name	Material	Ref.	Name	Material
4	Casing cover	AISI 304	55	Float switch [2]	-
6	Shaft	AISI 431	56	O-Ring	NBR
7	Impeller	PPE+PS glass fibre reinforced	57	Bolt	AISI 303
9	Diffuser	PPE+PS glass fibre reinforced	62	Stage box	PPE+PS glass fibre reinforced
10	Motor side mechanical seal	Carbon/Ceramic/NBR	68	Lower spacer	PPE+PS glass fibre reinforced
11	Pump side mechanical seal	SiC/Carbon/NBR	73	Lifting holder	AISI 304
12	Motor case	-	77	O-Ring	NBR
13	Motor cover	AISI 304	78	O-Ring	NBR
16	Terminal box	-	89	Washer	AISI 304
19	Bearing (pump side)	-	91	Washer	AISI 304
20	Bearing (motor side)	-	96	O-Ring	NBR
21	Adjusting ring	Steel C70	97	Cable gland (power supply)	NBR
22	Tie-rod	AISI 303	98	Cable gland (float) [2]	NBR
23	Capacitor [1]	-	101	Seeger ring	AISI 420
26	O-Ring	NBR	107	Retainer ring	AISI 304
27	O-Ring	NBR	109	Strainer cover	AISI 304
28	O-Ring	NBR	118	Upper spacer	PPE+PS glass fibre reinforced
33	Seeger ring	AISI 304	119	Flange	AISI 304
34	Impeller nut	AISI 304	121	Support for float [2]	PPE+PS glass fibre reinforced
37	Casing	AISI 304	127	Cable gland connector (power supply)	AISI 304
44	Filter	AISI 304	128	Cable gland connector (float)	AISI 304
46	Bearing holder support	Brass	200	Screw	Stainless steel A2 UNI 7323
52	Capacitor-holder box	PA66	204	Screw	Stainless steel A2 UNI 7323
54	Power supply cable	-	207	Screw	Stainless steel A2 UNI 7323

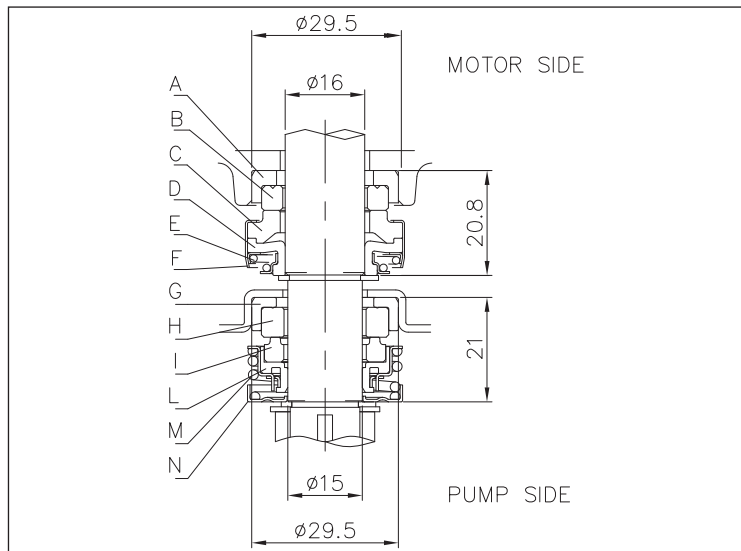
[1]= For single phase only

[2]= For single phase with float switch only

5" SUBMERSED CENTRIFUGAL ELECTRIC PUMPS

in AISI 304

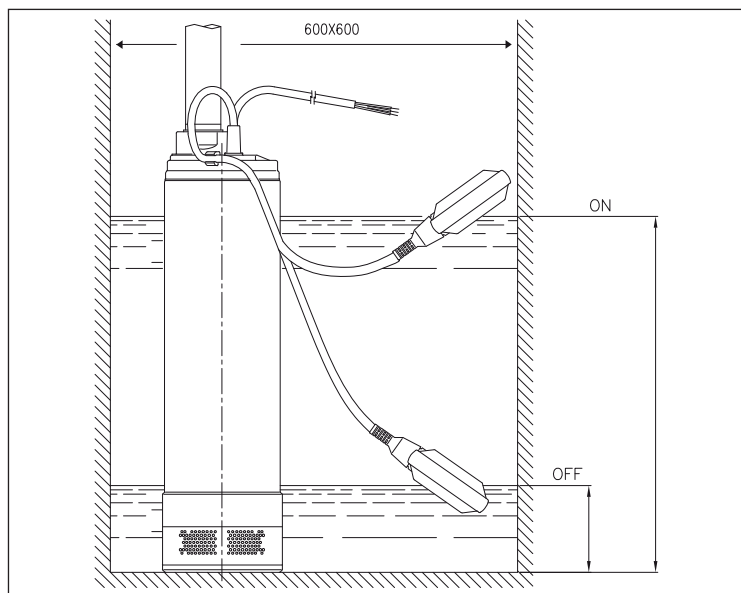
MECHANICAL SEAL



MATERIALS TABLE

Ref.	Name	Material
A	Fixed gasket	NBR
B	Fixed sealing ring	Ceramic
C	Rotating sealing ring	Carbon
D	Rotating gasket	NBR
E	Spring	AISI 304
F	Structure/frame	AISI 304
G	Fixed gasket	NBR
H	Fixed sealing ring	SiC
I	Rotating sealing ring	Carbon
L	Rotating gasket	NBR
M	Spring	AISI 304
N	Structure/frame	AISI 304

INSTALLATION



INSTALLATION TABLE

Model	Dimensions [mm]	
	ON	OFF
IDROGO 40/86	560	180
IDROGO 40/106	590	190
IDROGO 40/126	660	220
IDROGO 40/156	730	240
IDROGO 80/126	590	190
IDROGO 80/156	640	210
IDROGO 80/206	660	220

ELECTRIC DATA TABLE

Model		P ₂		Capacitor		P ₁		Absorbed Current [A]	
Single phase 220-230V	Three phase 380V	[HP]	[kW]	μF	V _c	Single phase [kW]	Three phase [kW]	Single phase 220-230V	Three phase 380V
IDROGO M 40/86	IDROGO 40/86	0,8	0,6	16	450	1,03	0,93	5,0	1,7
IDROGO M 40/106	IDROGO 40/106	1	0,75	16	450	1,2	1,09	5,9	2
IDROGO M 40/126	IDROGO 40/126	1,2	0,9	20	450	1,45	1,28	7,1	2,3
IDROGO M 40/156	IDROGO 40/156	1,5	1,1	25	450	1,68	1,47	8,1	2,7
IDROGO M 80/126	IDROGO 80/126	1,2	0,9	20	450	1,3	1,1	6,4	2,1
IDROGO M 80/156	IDROGO 80/156	1,5	1,1	25	450	1,48	1,3	7,2	2,5
-	IDROGO 80/206	2	1,5	-	-	-	1,53	-	2,7

EBARA Pumps Europe network

HEAD OFFICE

EBARA Pumps Europe S.p.A.

Via Pacinotti, 32
36040 Brendola (VI), Italy
Phone +39 0444 706811 - Fax +39 0444 405811

Italian sales:
e-mail: ordini@ebaraeurope.com

Export sales:
e-mail: exportsales@ebaraeurope.com

Technical Customer Service (TCS):
e-mail: technical_customer_service@ebaraeurope.com
Phone +39 0444 706902/923

Marketing & Marketing Communication:
e-mail: marketing@ebaraeurope.com

ITALIAN SALES NETWORK

NORTH Region:

(Valle d'Aosta, Piemonte, Lombardia, Liguria, Trentino
Alto Adige, Veneto, Friuli Venezia Giulia, Emilia Romagna)
Regional Manager cell.: +39 348 8732512
e-mail: nord@ebaraeurope.com
Phone +39 0444 706811 - Fax +39 0444 405811

CENTRAL Region:

(Toscana, Umbria, Marche, Lazio, Abruzzo, Molise)
Regional Manager cell.: +39 335 6423286
e-mail: centro@ebaraeurope.com
Phone +39 0444 706811 - Fax +39 0444 405811

SOUTH Region:

(Campania, Basilicata, Puglia, Calabria, Sicilia)
Regional Manager cell.: +39 335 6423316
e-mail: sud@ebaraeurope.com
Phone +39 0444 706811 - Fax +39 0444 405811

INDUSTRIAL Division:

Manager cell.: +39 335 6423302
e-mail: industry@ebaraeurope.com
Phone +39 0444 706811 - Fax +39 0444 405811

WASTEWATER Division:

Manager cell.: +39 335 6423290
e-mail: ses@ebaraeurope.com
Phone +39 0444 706811 - Fax +39 0444 405811

MILANO Branch:

Via Lainate, 62
20017 Rho (MI)
Phone +39 02 93507358 - Fax +39 0444 405975
Branch Manager cell.: +39 335 5327276
e-mail: mktgmi@ebaraeurope.com

CAGLIARI Branch:

Via del Fangario, 29
09122 Cagliari
Phone +39 070 274281 - Fax +39 0444 405960
Branch Manager cell.: +39 335 6423320
e-mail: mktgca@ebaraeurope.com

PALERMO Branch

Via Don L. Sturzo, 181/183
Z.I. - 90044 Carini (PA)
Phone +39 091 8669790 - Fax +39 0444 405980
Branch Manager cell.: +39 335 6423316
e-mail: mktgpa@ebaraeurope.com

EXPORT NETWORK

EBARA Pumps Europe S.p.A. UNITED KINGDOM

Unit 7 - Zodiac Business Park
High Road - Cowley Uxbridge
Middlesex - UB8 2GU, United Kingdom
Phone +44 1895 439027 - Fax +44 1895 439028
e-mail: mktguk@ebaraeurope.com

EBARA ESPAÑA BOMBAS S.A.

C/Cormoranes 6 Y 8
Poligono Ind. La Estación
28320 Pinto (Madrid), Spain
Phone +34 916.923.630 - Fax +34 916.910.818
e-mail: marketing@ebara.es

EBARA Pumps Europe S.p.A. FRANCE

555, Rue Juliette Recamier
69970 Chaponnay, France
Phone +33 4 72769482 - Fax +33 805101071
e-mail: mktgfr@ebaraeurope.com

EBARA Pumps Europe S.p.A. GERMANY

Ferdinand-Porsche-Ring 7
63110 Rodgau-Jügesheim, Germany
Phone +49 (0) 6106-660 99-0
Fax +49 (0) 6106-660 99-45
e-mail: mktgde@ebaraeurope.com

EBARA POMPY POLSKA Sp. z o.o.

ul. Działkowa 115
02-234 Warszawa, Poland
Phone +48 22 3909920 - Fax +48 22 3909929
e-mail: mktgpl@ebaraeurope.com

EBARA Pumps Europe S.p.A. MIDDLE EAST

P.O. Box 54515
Dubai Airport Free Zone
Dubai, United Arab Emirates
Phone +971 4 609 1040 - Fax +971 4 609 1038
e-mail: mktgme@ebaraeurope.com

EBARA Pumps Europe S.p.A INDIA LIAISON OFFICE

Bhumiraj Costarica,
Room No. 1503, Sector -18,
Palm Beach Rd., Sanpada,
Navi Mumbai, Maharashtra, India
Phone +91 22 27812862/63/64
Fax +91 22 27812865
e-mail: mktgind@ebaraeurope.com

EBARA Pumps Europe S.p.A. RUSSIA

Phone +7 985 7672672
e-mail: mktgrus@ebaraeurope.com



EBARA Pumps Europe S.p.A.

Via Pacinotti, 32
36040 Brendola (Vicenza), Italy
Phone +39 0444 706811 - Fax +39 0444 405811
e-mail: marketing@ebaraeurope.com
www.ebaraeurope.com



EBARA Corporation

11-1, Haneda Asahi-cho, Ohta-ku,
Tokyo 144-8510
Japan
Phone +81 3 6275 7598 - Fax +81 3 5736 3193
www.ebara.com