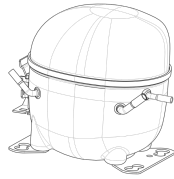


220-240V 50 1~**GENERAL DATA**

Application: MBP
Refrigerant: R404A
Evaporating Temperature Range: -20°C to 10°C
Compressor Cooling: Fan
Fan air flow: 520 m³/h
Type: Hermetic reciprocating
Technology Type: On-Off
Expansion Device: Capillary Tube or Expansion Valve
Packing Quantity: Multi - 28 pcs
Displacement: 12.11 cm³
Horse power: 3.4 hp

Approvals:     

**MECHANICAL DATA**

Bore: 27.78 mm
Stroke: 20 mm
Oil Charge: 350ml +/-15ml
Free Internal Volume: 2.1 cm³
Maximum Recommended Refrigerant Charge: 350 g
Oil Type Configuration: Polyolester
Oil Type Viscosity: ISO22
Compressor pressurization: Dry air charge
Weight: 12.3 kg

ELECTRICAL DATA

Motor Type: CSR
Starting Torque: HST
Voltage working range at 50 Hz: 198-254 V
Maximum Motor Temperature: 130 °C
Start Winding Resistance: 13.91 Ω (± 10%) at 25°C
Run Winding Resistance: 4.48 Ω (± 10%) at 25°C
Locked Rotor Amperage (LRA): 22 A

MOUNTING ACCESSORIES

	Description	Code
Terminal Board:	no	-
Anchorage:	no	-
Capacitor Bracket:	no	-
Washer:	no	-
Pin:	no	-
Clip:	no	-
Rotolock valve:	no	-
Grommets:	yes	2221011
Sleeves:	yes	2222018
Overload Protector Bracket:	yes	2075299
Cover:	yes	2075278

ELECTRICAL COMPONENTS

	Component type	Description	Code
Starting Device:	Potential relay	RVA3AN3C-647	1253026
Start Capacitor:		88-108 MFD 330V	2252269
Motor Protection:	External 3/4"	T0634/G9	2321002
Run Capacitor:		10 MFD	2253316
CSR / CSIR Box:	yes		1272379

EXTERNAL CHARACTERISTICS

Base Plate: European
Tray Holder: No
Height: 206 mm

	Internal Diameter (mm)	Material	Shape
Suction Connector	8.1	Copper	Slanted 42°
Discharge Connector	6.1	Copper	Straight



RATED POINT DATA

Cooling Capacity (W)	Power Consumption (W)	Current Consumption (A)	Gas Flow Rate (kg/h)	Efficiency (W/W)
±5%	±5%	±5%	±5%	±7%
1 108	579	2.81	30.43	1.91

Test condition: EN 12900, Fan, Return Gas 20°C, Subcooling OK, Evaporating: -10°C, Condensing: 45°C, Ambient: 35°C

PERFORMANCE CURVE DATA

220V 50Hz

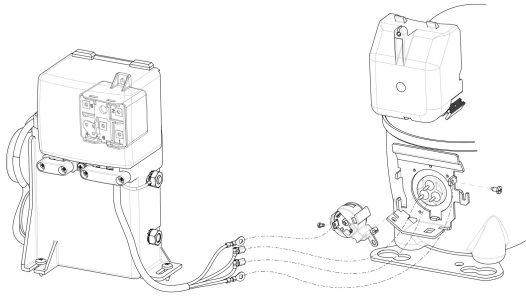
Condensing Temperature (°C)	Evaporating Temperature (°C)	Cooling Capacity (W)	Power Consumption (W)	Current Consumption (A)	Gas Flow Rate (kg/h)	Efficiency (W/W)
		±5%	±5%	±5%	±5%	±7%
35°C	10	2 579	740	3.56	65.71	3.48
	5	2 212	686	3.30	55.58	3.22
	0	1 877	633	3.05	46.60	2.96
	-5	1 574	583	2.82	38.70	2.70
	-10	1 304	534	2.60	31.80	2.44
	-15	1 066	487	2.40	25.81	2.19
	-20	859	442	2.21	20.65	1.94

Condensing Temperature (°C)	Evaporating Temperature (°C)	Cooling Capacity (W)	Power Consumption (W)	Current Consumption (A)	Gas Flow Rate (kg/h)	Efficiency (W/W)
		±5%	±5%	±5%	±5%	±7%
45°C	10	2 221	814	3.88	64.20	2.73
	5	1 899	752	3.59	54.01	2.52
	0	1 606	692	3.31	45.04	2.32
	-5	1 342	635	3.05	37.21	2.11
	-10	1 108	579	2.81	30.43	1.91
	-15	903	525	2.58	24.63	1.72
	-20	728	473	2.36	19.72	1.54

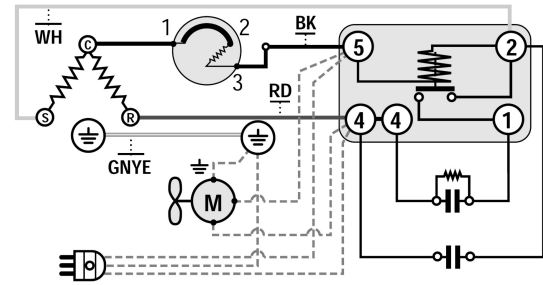
Condensing Temperature (°C)	Evaporating Temperature (°C)	Cooling Capacity (W)	Power Consumption (W)	Current Consumption (A)	Gas Flow Rate (kg/h)	Efficiency (W/W)
		±5%	±5%	±5%	±5%	±7%
55°C	10	1 840	904	4.31	62.25	2.03
	5	1 566	831	3.96	52.07	1.88
	0	1 318	760	3.63	43.16	1.73
	-5	1 098	692	3.31	35.45	1.59
	-10	904	625	3.01	28.86	1.45

Test condition: EN 12900, Fan, Return Gas 20°C, Subcooling OK, Ambient: 35°C

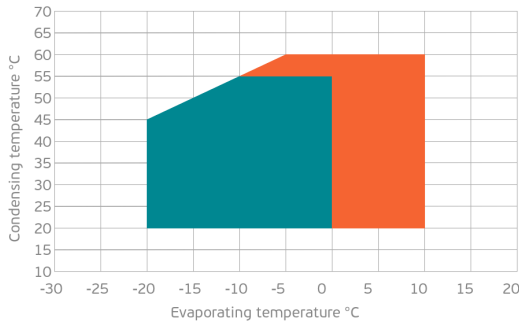
ASSEMBLY INSTRUCTION



WIRING DIAGRAM

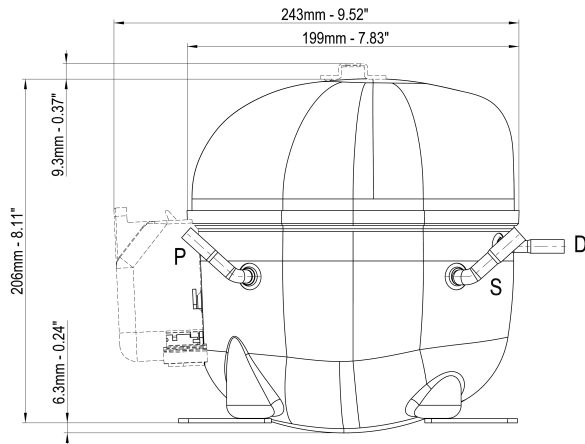


OPERATING ENVELOPE

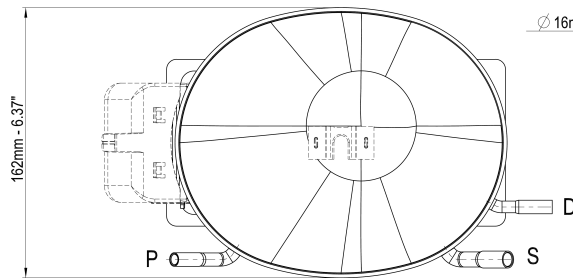


- Operating Condition
- Transient Condition
- Superheating

NOTE: usage of compressors outside of intended working range cannot make use of the warranty, or should be consulted with Technical support.



	∅ mm	∅ in	Material
S - Suction	8.10 - 8.20	0.32	Cu
P - Process	6.10 - 6.20	0.24	Cu
D - Discharge	6.10 - 6.20	0.24	Cu



∅ 16mm - 0.63" (x6)

