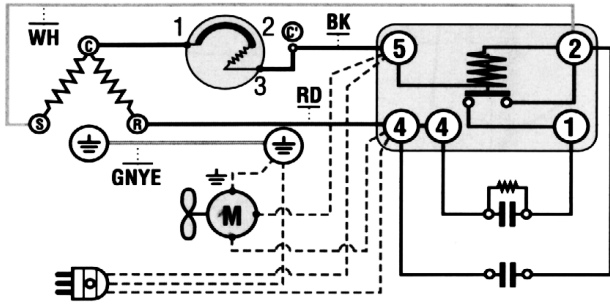


Wiring Diagram



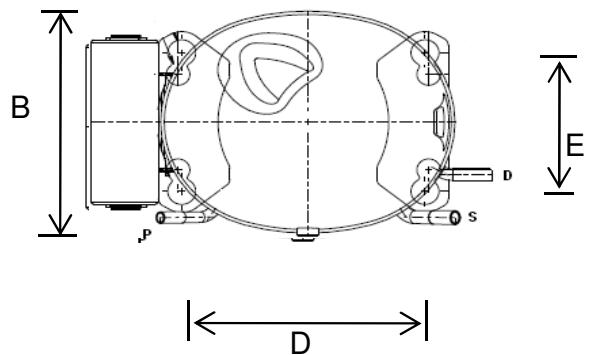
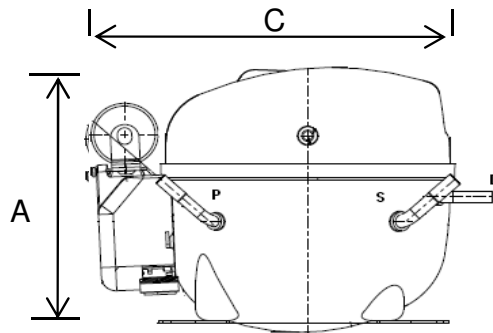
Compressor Terminals

- C = Common
- R = Run
- S = Start

Electrical components are supplied unassembled. Use of components other than specified will void warranty.

Dimensions (inches)

A: 8.15" B: 6.37" C: 9.68" D: 6.5" E: 4"




Tube Diameter

ID	Inch	MM
Process	.316-5/16	8.03
Suction	.316-5/16	8.03
Discharge	.254-1/4	6.45

Technical Specifications

Rev 9-2014

Mechanical Data	English	Metric	Electrical Data	
Bore	1.23 in	31.19 mm	Motor: 2 pole - 1 phase	CSR
Stroke	.87 in	22 mm	Voltage	115V / 60 Hz
Displacement	1.025 cu. In	16.8 cc	Voltage range	103-127V
Speed	3,500 rpm	3,500 rpm	Run winding resistance at 25° C	.68 Ω
Weight	25.57 lb	11.6 kg	Start winding resistance at 25° C	2.68 Ω
Oil Charge	11.84 oz.	350 ml	Locked rotor current	48 amps
Oil Type	POE	ISO22	FLA: MBP/HBP-60Hz	10.5 amps
Compressor Cooling: Fan cooled by forced draft over shell with 6 watt minimum fan.				
Restrictor: Expansion valve or capillary tube			Capacitor:	
			Start	243-292 mfd 250V
			Run	35 mfd 440V

	NEK6214Z	MBP-HBP	115 V	134a
Specifications Approximate H. P. 3/4 Starting Torque High Refrigerant 134a Evaporator Temperature High Evaporator Temperature 5° to 50°F			Usage Drinking Water Coolers Dehumidifiers Ice Machines Reach In Refrigerators Beer Coolers	

HBP Performance					
Temperature °F	14	23	32	45	50
Capacity BTU/Hr	2,819	3,581	4,467	5,960	6,611
Power W	579	652	730	853	904
Current Amps	6.83	7.27	7.8	8.7	9.1
Temperature °C	-10	-5	0	7.2	10
Capacity Kcal/Hr	710	902	1,126	1,502	1,666

LBP Rating	ASHRAE	Rating Point (Bolded above)	HBP Rating	ASHRAE
Condensing	N/A		Condensing	130°F
Evaporator	N/A		Evaporator	45°F
Return Gas	N/A		Return Gas	95°F
Ambient	N/A		Ambient	95°F
Liquid Temp.	N/A		Liquid Temp.	115°F

Material	Part number	Description	Compressor Cross Ref.	
Compressor	269HG92	NEK6214Z1	Manufacturer	Model
Relay	1253050	RVA9AD3C-121	Copeland	ARE51C4E
Terminal Cover	2075278			
Overload	2321125	TO820/G9		
Start Cap	2252332	243-292 mfd / 250V		
Run Cap	2253315	35 mfd / 440V		
Electrical box	1262312	1272312		
Grommet		2221003		
Sleeve		2222015		

EMBRACO NORTH AMERICA, INC.
1610 Satellite Blvd. Suite B, Duluth Ga, 30097 Phone: 678-805-3074