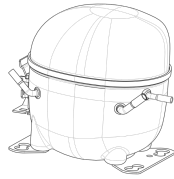


220-240V 50 1~**GENERAL DATA**

Application: MBP
Refrigerant: R404A
Evaporating Temperature Range: -20°C to 10°C
Compressor Cooling: Fan
Fan air flow: 520 m³/h
Type: Hermetic reciprocating
Technology Type: On-Off
Expansion Device: Capillary Tube or Expansion Valve
Packing Quantity: Single - 1 pc
Displacement: 8.77 cm³
Horse power: 1.2 hp

Approvals:    

MECHANICAL DATA

Bore: 26.5 mm
Stroke: 15.92 mm
Oil Charge: 350ml +/-15ml
Free Internal Volume: 2.1 cm³
Maximum Recommended Refrigerant Charge: 350 g
Oil Type Configuration: Polyolester
Oil Type Viscosity: ISO22
Compressor pressurization: Dry air charge
Weight: 10.9 kg

ELECTRICAL DATA

Motor Type: CSIR
Starting Torque: HST
Voltage working range at 50 Hz: 198-254 V
Maximum Motor Temperature: 130 °C
Start Winding Resistance: 27.04 Ω (± 10%) at 25°C
Run Winding Resistance: 4.87 Ω (± 10%) at 25°C
Locked Rotor Amperage (LRA): 19 A

MOUNTING ACCESSORIES

| | Description | Code |
|------------------------------------|-------------|---------|
| Anchorage: | no | - |
| Capacitor Bracket: | no | - |
| Washer: | no | - |
| Pin: | no | - |
| Clip: | no | - |
| Rotolock valve: | no | - |
| Cover: | yes | 2075282 |
| Grommets: | yes | 2221011 |
| Sleeves: | yes | 2222018 |
| Terminal Board: | yes | 1027060 |
| Overload Protector Bracket: | yes | 2075299 |

ELECTRICAL COMPONENTS

| | Component type | Description | Code |
|--------------------------|----------------|----------------|---------|
| Start Capacitor: | | 53-64 MFD 330V | 2252346 |
| Motor Protection: | External 3/4" | T0964/G6 | 2319135 |
| Starting Device: | Current relay | MTRPH-0055-65 | 2334148 |

EXTERNAL CHARACTERISTICS

Base Plate: European
Tray Holder: No
Height: 200 mm

| | Internal Diameter (mm) | Material | Shape |
|----------------------------|------------------------|----------|-------------|
| Suction Connector | 8.1 | Copper | Slanted 42° |
| Discharge Connector | 6.1 | Copper | Straight |
| Process Connector | 6.1 | Copper | Slanted 42° |

RATED POINT DATA

| Cooling Capacity (W) | Power Consumption (W) | Current Consumption (A) | Gas Flow Rate (kg/h) | Efficiency (W/W) |
|----------------------|-----------------------|-------------------------|----------------------|------------------|
| ±5% | ±5% | ±5% | ±5% | ±7% |
| 794 | 453 | 3.12 | 21.80 | 1.75 |

Test condition: EN 12900, Fan, Return Gas 20°C, Subcooling OK, Evaporating: -10°C, Condensing: 45°C, Ambient: 35°C

PERFORMANCE CURVE DATA**220V 50Hz**

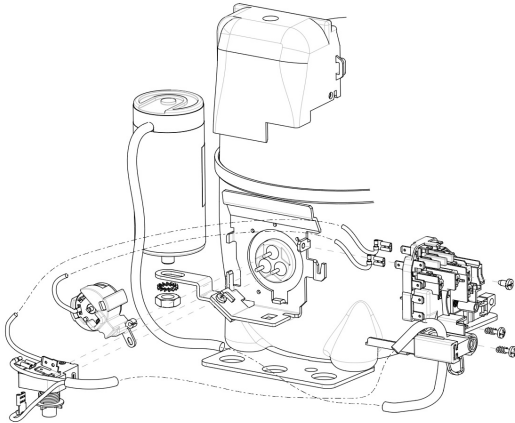
| Condensing Temperature (°C) | Evaporating Temperature (°C) | Cooling Capacity (W) | Power Consumption (W) | Current Consumption (A) | Gas Flow Rate (kg/h) | Efficiency (W/W) |
|-----------------------------|------------------------------|----------------------|-----------------------|-------------------------|----------------------|------------------|
| | | ±5% | ±5% | ±5% | ±5% | ±7% |
| 35°C | 10 | 1 887 | 521 | 3.35 | 48.09 | 3.62 |
| | 5 | 1 612 | 497 | 3.26 | 40.51 | 3.25 |
| | 0 | 1 362 | 471 | 3.17 | 33.82 | 2.89 |
| | -5 | 1 138 | 445 | 3.09 | 27.96 | 2.56 |
| | -10 | 938 | 417 | 3.02 | 22.86 | 2.25 |
| | -15 | 762 | 389 | 2.94 | 18.46 | 1.96 |
| | -20 | 612 | 359 | 2.88 | 14.71 | 1.70 |

| Condensing Temperature (°C) | Evaporating Temperature (°C) | Cooling Capacity (W) | Power Consumption (W) | Current Consumption (A) | Gas Flow Rate (kg/h) | Efficiency (W/W) |
|-----------------------------|------------------------------|----------------------|-----------------------|-------------------------|----------------------|------------------|
| | | ±5% | ±5% | ±5% | ±5% | ±7% |
| 45°C | 10 | 1 632 | 590 | 3.63 | 47.17 | 2.76 |
| | 5 | 1 390 | 557 | 3.49 | 39.54 | 2.49 |
| | 0 | 1 169 | 523 | 3.36 | 32.81 | 2.24 |
| | -5 | 971 | 488 | 3.24 | 26.92 | 1.99 |
| | -10 | 794 | 453 | 3.12 | 21.80 | 1.75 |
| | -15 | 638 | 417 | 3.01 | 17.41 | 1.53 |
| | -20 | 505 | 380 | 2.91 | 13.68 | 1.33 |

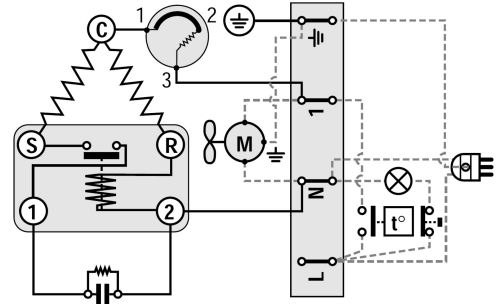
| Condensing Temperature (°C) | Evaporating Temperature (°C) | Cooling Capacity (W) | Power Consumption (W) | Current Consumption (A) | Gas Flow Rate (kg/h) | Efficiency (W/W) |
|-----------------------------|------------------------------|----------------------|-----------------------|-------------------------|----------------------|------------------|
| | | ±5% | ±5% | ±5% | ±5% | ±7% |
| 55°C | 10 | 1 336 | 663 | 3.83 | 45.20 | 2.01 |
| | 5 | 1 134 | 620 | 3.66 | 37.72 | 1.83 |
| | 0 | 952 | 577 | 3.50 | 31.16 | 1.65 |
| | -5 | 788 | 533 | 3.35 | 25.45 | 1.48 |
| | -10 | 643 | 489 | 3.21 | 20.53 | 1.32 |

Test condition: EN 12900, Fan, Return Gas 20°C, Subcooling OK, Ambient: 35°C

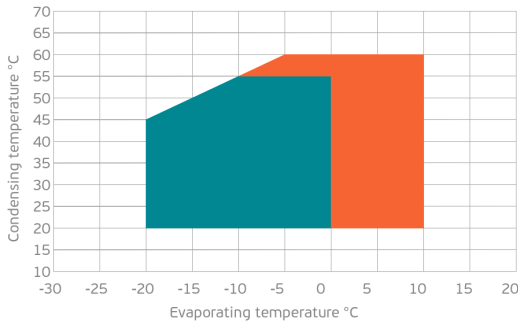
ASSEMBLY INSTRUCTION



WIRING DIAGRAM

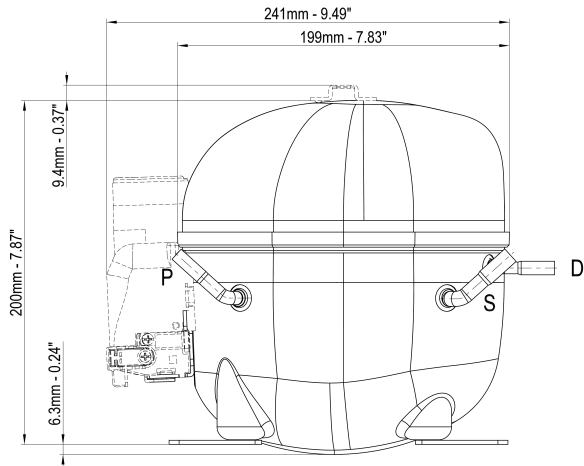


OPERATING ENVELOPE



- Operating Condition
- Transient Condition
- Superheating

NOTE: usage of compressors outside of intended working range cannot make use of the warranty, or should be consulted with Technical support.



| | ∅ mm | ∅ in | Material |
|----------------------|-------------|------|----------|
| S - Suction | 8.10 - 8.20 | 0.32 | Cu |
| P - Process | 6.10 - 6.20 | 0.24 | Cu |
| D - Discharge | 6.10 - 6.20 | 0.24 | Cu |

