
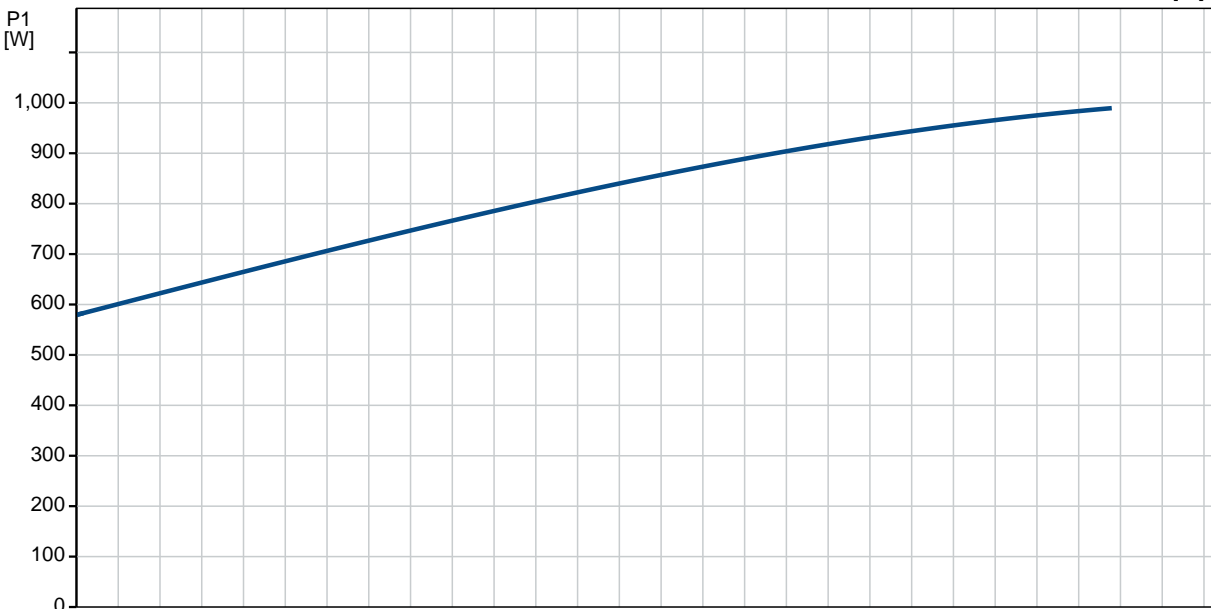
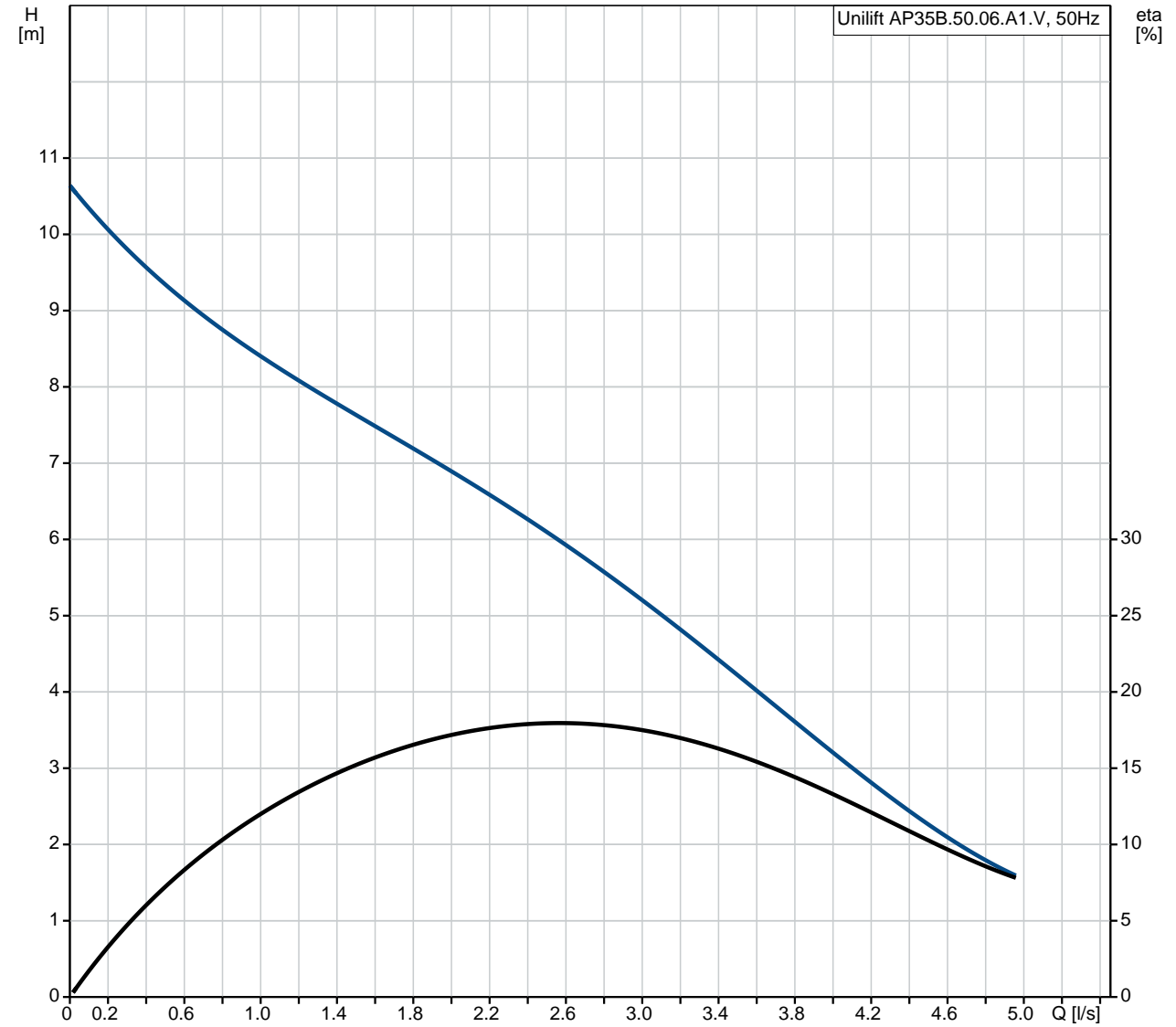


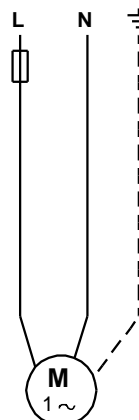
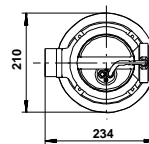
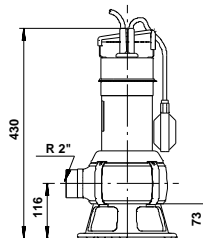
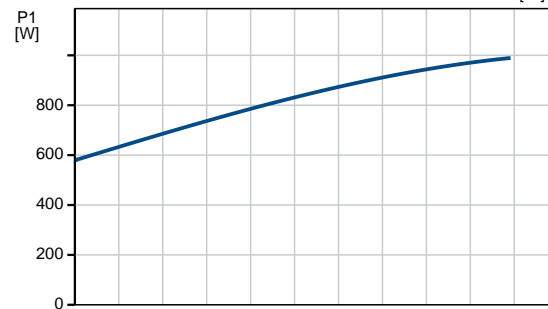
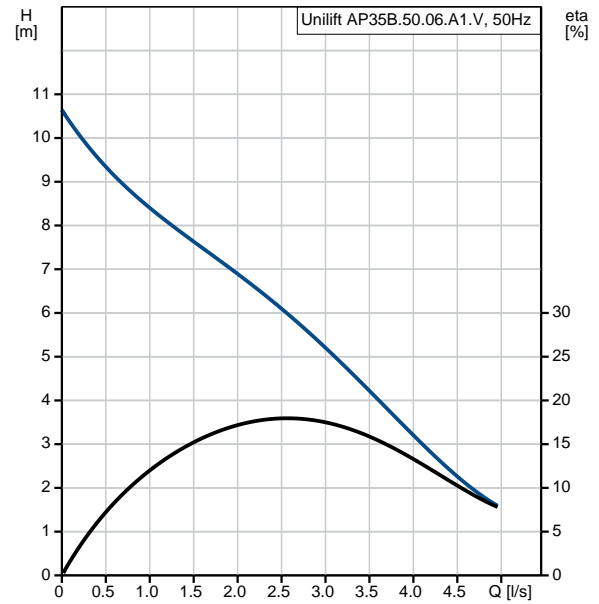
Qty.	Description																		
1	<p data-bbox="199 338 491 369">Unilift AP35B.50.06.A1.V</p> <div data-bbox="300 389 483 775" style="text-align: center;">  </div> <p data-bbox="592 770 1075 795" style="text-align: center;">Note! Product picture may differ from actual product</p> <p data-bbox="199 801 497 862">Product No.: 96004562 Submersible effluent pump</p> <p data-bbox="199 891 730 976">Vertical single-stage stainless steel submersible pump with integrated submersible 1-phase motor.</p> <p data-bbox="199 1010 711 1126">The pump is fitted with ring stand and carrying handle and is supplied with a 5 m mains cable and a level switch for automatic start and stop.</p> <p data-bbox="199 1160 692 1274">The impeller is a VORTEX impeller for 35 mm free passage suitable for pumping surface water, groundwater, wastewater and similar.</p> <p data-bbox="199 1308 735 1393">The pump has a double shaft seal and an intermediate oil chamber pre-filled with non-toxic special oil.</p> <p data-bbox="199 1426 750 1512">The motor is insulation class F with thermal overload protection and has long-life deep-groove greased-for-life ball bearings.</p> <p data-bbox="199 1545 676 1630">The pump has R 2" discharge port and is ready for installation either free-standing or on an auto-coupling system.</p> <p data-bbox="199 1664 287 1691">Liquid:</p> <table data-bbox="199 1693 799 1783"> <tr> <td>Pumped liquid:</td> <td>Any Newtonian liquid</td> </tr> <tr> <td>Maximum liquid temperature:</td> <td>40 °C</td> </tr> <tr> <td>Density:</td> <td>998.2 kg/m³</td> </tr> </table> <p data-bbox="199 1816 327 1843">Technical:</p> <table data-bbox="199 1845 670 1904"> <tr> <td>Type of impeller:</td> <td>VORTEX</td> </tr> <tr> <td>Maximum particle size:</td> <td>35 mm</td> </tr> </table> <p data-bbox="199 1937 319 1964">Materials:</p> <table data-bbox="199 1966 769 2107"> <tr> <td rowspan="2">Pump housing:</td> <td>Stainless steel</td> </tr> <tr> <td>DIN W.-Nr. 1.4301</td> </tr> <tr> <td rowspan="2">Impeller:</td> <td>AISI 304</td> </tr> <tr> <td>Stainless steel</td> </tr> <tr> <td></td> <td>DIN W.-Nr. 1.4301</td> </tr> </table>	Pumped liquid:	Any Newtonian liquid	Maximum liquid temperature:	40 °C	Density:	998.2 kg/m ³	Type of impeller:	VORTEX	Maximum particle size:	35 mm	Pump housing:	Stainless steel	DIN W.-Nr. 1.4301	Impeller:	AISI 304	Stainless steel		DIN W.-Nr. 1.4301
Pumped liquid:	Any Newtonian liquid																		
Maximum liquid temperature:	40 °C																		
Density:	998.2 kg/m ³																		
Type of impeller:	VORTEX																		
Maximum particle size:	35 mm																		
Pump housing:	Stainless steel																		
	DIN W.-Nr. 1.4301																		
Impeller:	AISI 304																		
	Stainless steel																		
	DIN W.-Nr. 1.4301																		

Qty.	Description
	<p style="text-align: right;">AISI 304</p> <p>Installation:</p> <p>Pump outlet: R 2"</p> <p>Maximum installation depth: 2 m</p> <p>Auto-coupling: Y</p> <p>Electrical data:</p> <p>Type of motor: PSC</p> <p>Power input - P1: 1 kW</p> <p>Mains frequency: 50 Hz</p> <p>Rated voltage: 1 x 230 V</p> <p>Rated current: 4.6 A</p> <p>Cos phi - power factor: 0.98</p> <p>Rated speed: 2810 rpm</p> <p>Capacitor size - run: 16 µF/400 V</p> <p>Enclosure class (IEC 34-5): IP68</p> <p>Insulation class (IEC 85): F</p> <p>Length of cable: 5 m</p> <p>Type of cable plug: SCHUKO</p> <p>Others:</p> <p>Net weight: 9.5 kg</p> <p>Gross weight: 10.5 kg</p> <p>Danish VVS No.: 391270312</p> <p>Swedish RSK No.: 5885932</p> <p>Finnish LVI No.: 4822556</p> <p>Norwegian NRF no.: 9045601</p>

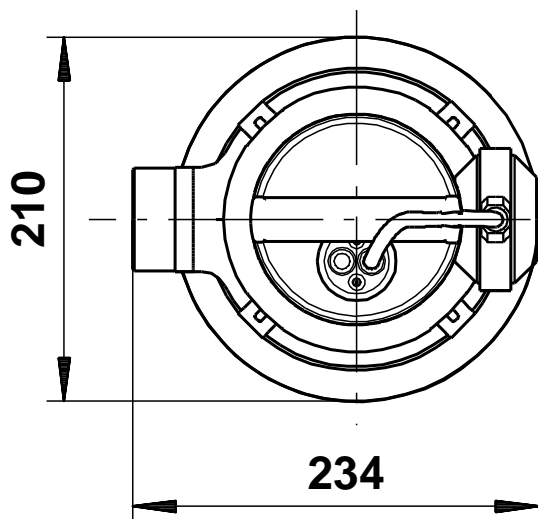
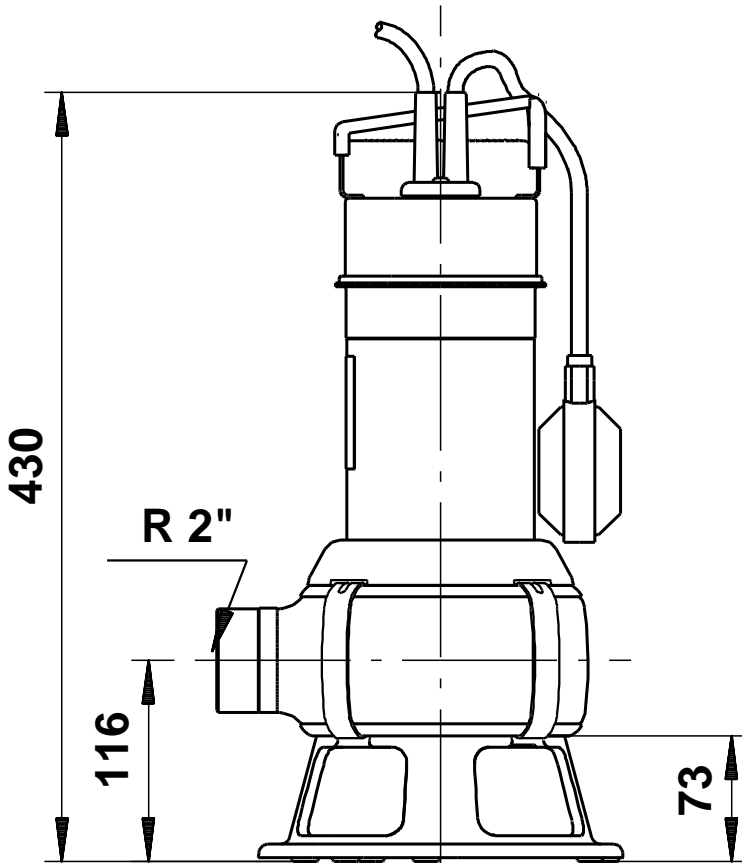
96004562 Unilift AP35B.50.06.A1.V 50 Hz



Description	Value
General information:	
Product name:	Unilift AP35B.50.06.A1.V
Product No:	96004562
EAN number:	5700391488566
Technical:	
Max flow:	5 l/s
Head max:	11 m
Type of impeller:	VORTEX
Maximum particle size:	35 mm
Materials:	
Pump housing:	Stainless steel DIN W.-Nr. 1.4301 AISI 304
Impeller:	Stainless steel DIN W.-Nr. 1.4301 AISI 304
Installation:	
Pump outlet:	R 2"
Maximum installation depth:	2 m
Inst dry/wet:	S
Installation:	horizontal or vertical
Auto-coupling:	Y
Liquid:	
Pumped liquid:	Any Newtonian liquid
Maximum liquid temperature:	40 °C
Density:	998.2 kg/m ³
Electrical data:	
Type of motor:	PSC
Power input - P1:	1 kW
P2:	0.66 kW
Mains frequency:	50 Hz
Rated voltage:	1 x 230 V
Rated current:	4.6 A
Cos phi - power factor:	0.98
Rated speed:	2810 rpm
Capacitor size - run:	16 µF/400 V
Enclosure class (IEC 34-5):	IP68
Insulation class (IEC 85):	F
Motor protec:	CONTACT
Thermal protec:	internal
Length of cable:	5 m
Type of cable plug:	SCHUKO
Controls:	
Level switch:	float switch
Others:	
Net weight:	9.5 kg
Gross weight:	10.5 kg
Danish VVS No.:	391270312
Swedish RSK No.:	5885932
Finnish LVI No.:	4822556
Norwegian NRF no.:	9045601



96004562 Unilift AP35B.50.06.A1.V 50 Hz



Note! All units are in [mm] unless others are stated.
Disclaimer: This simplified dimensional drawing does not show all details.

96004562 Unilift AP35B.50.06.A1.V 50 Hz



Note! All units are in [mm] unless others are stated.