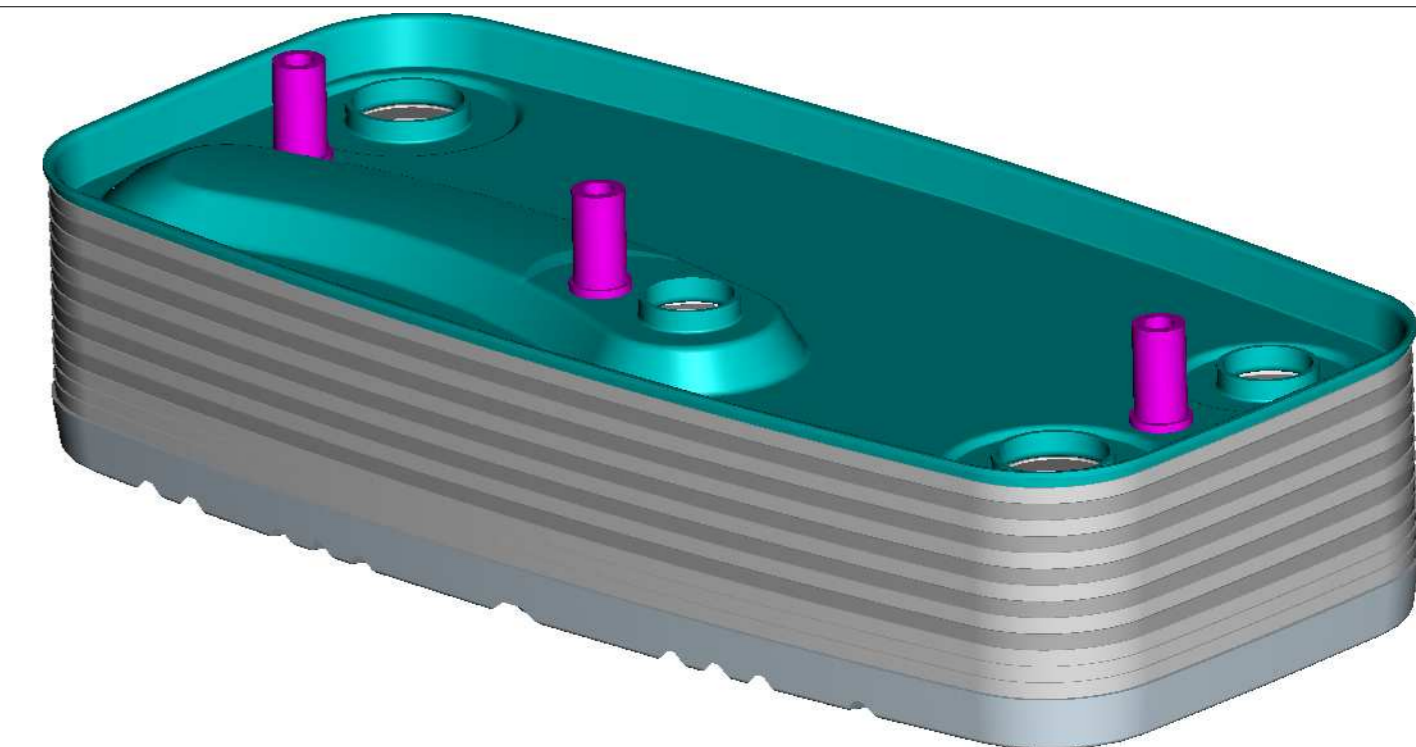
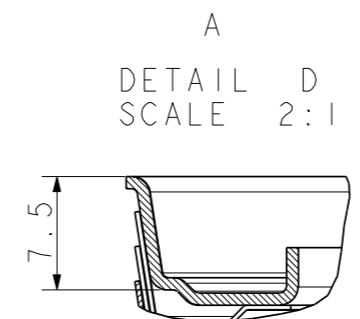
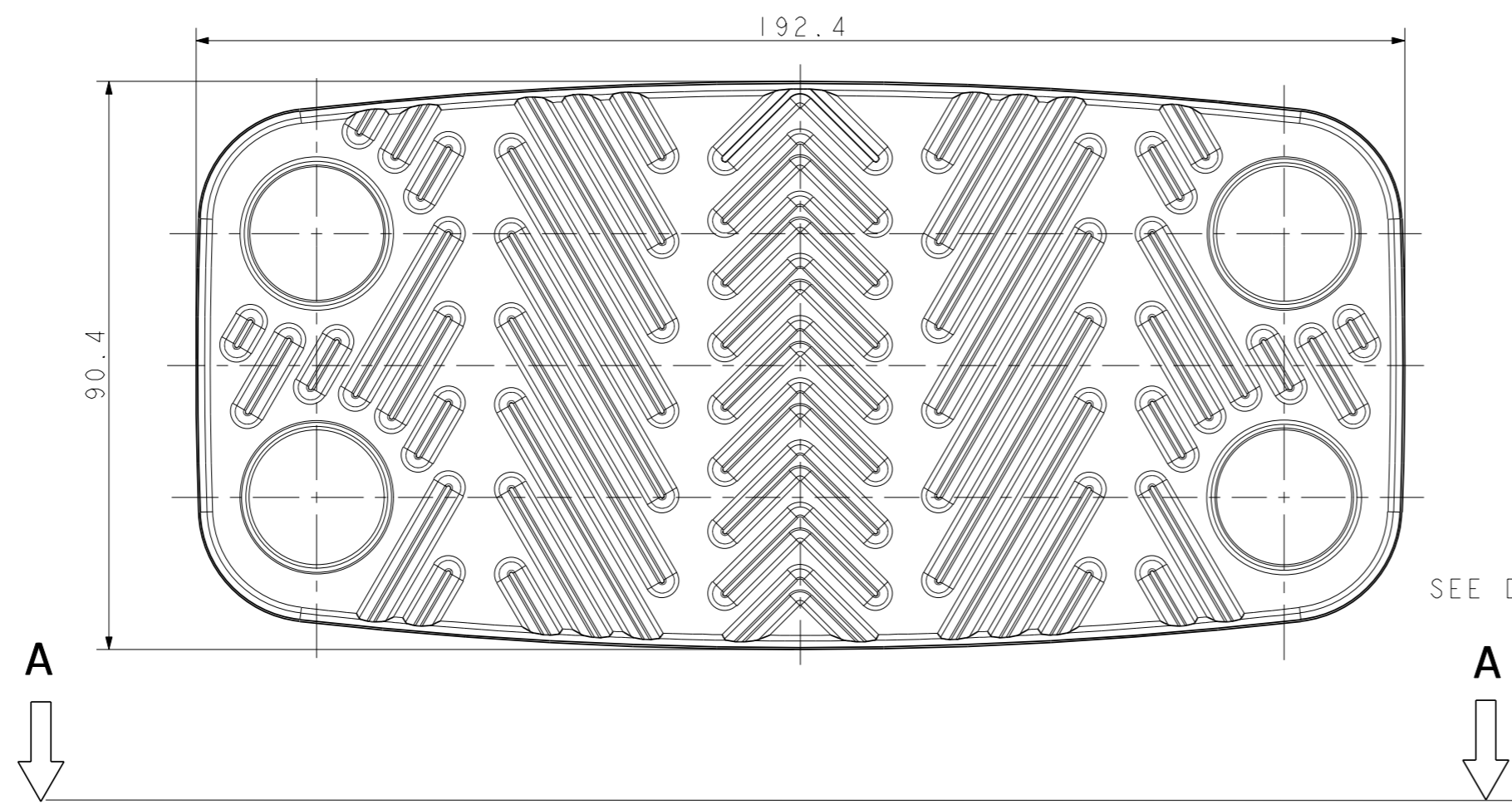
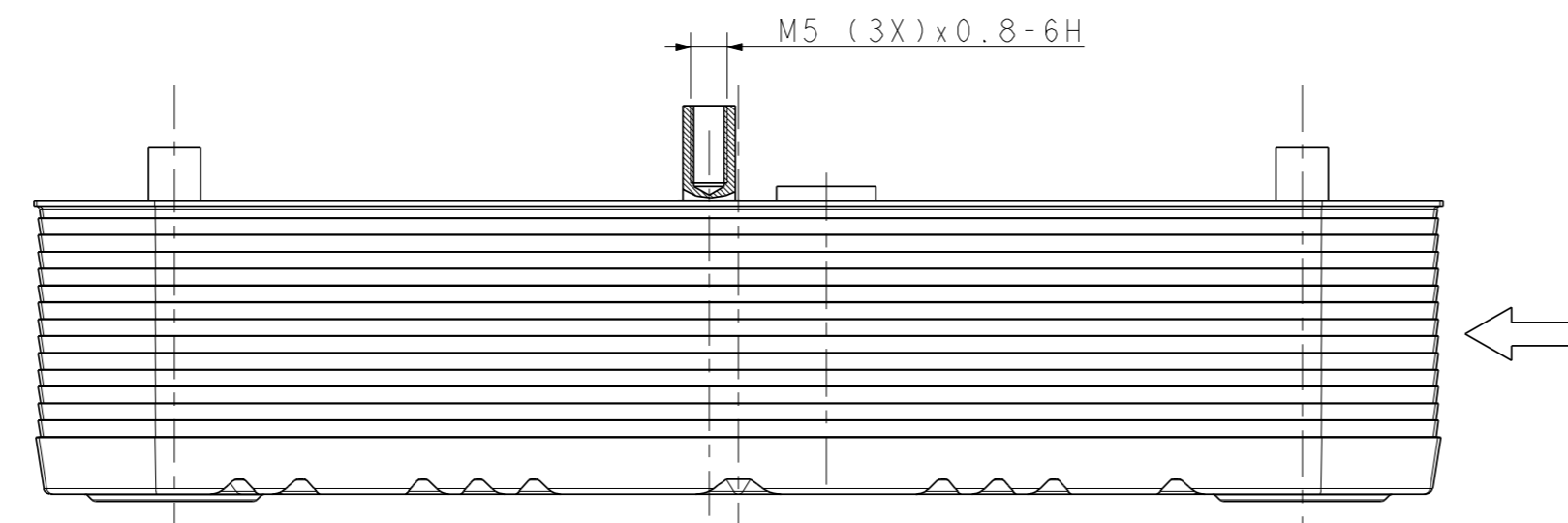
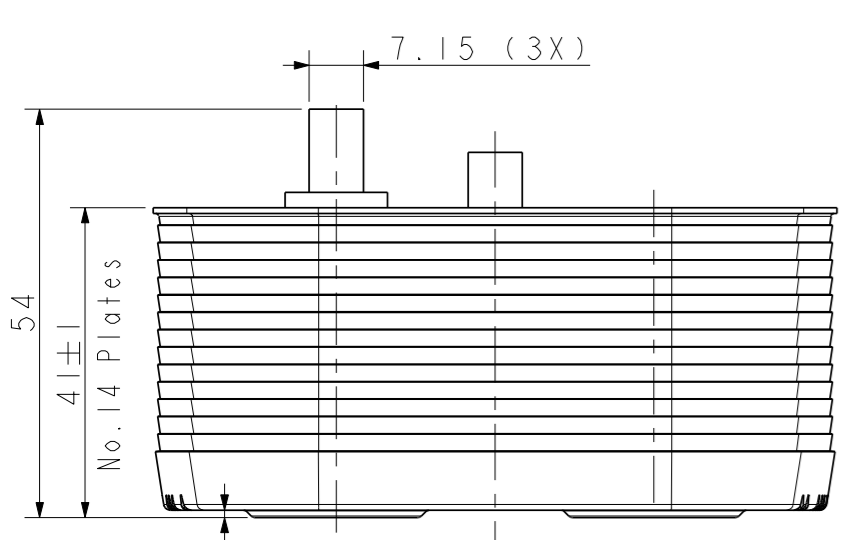
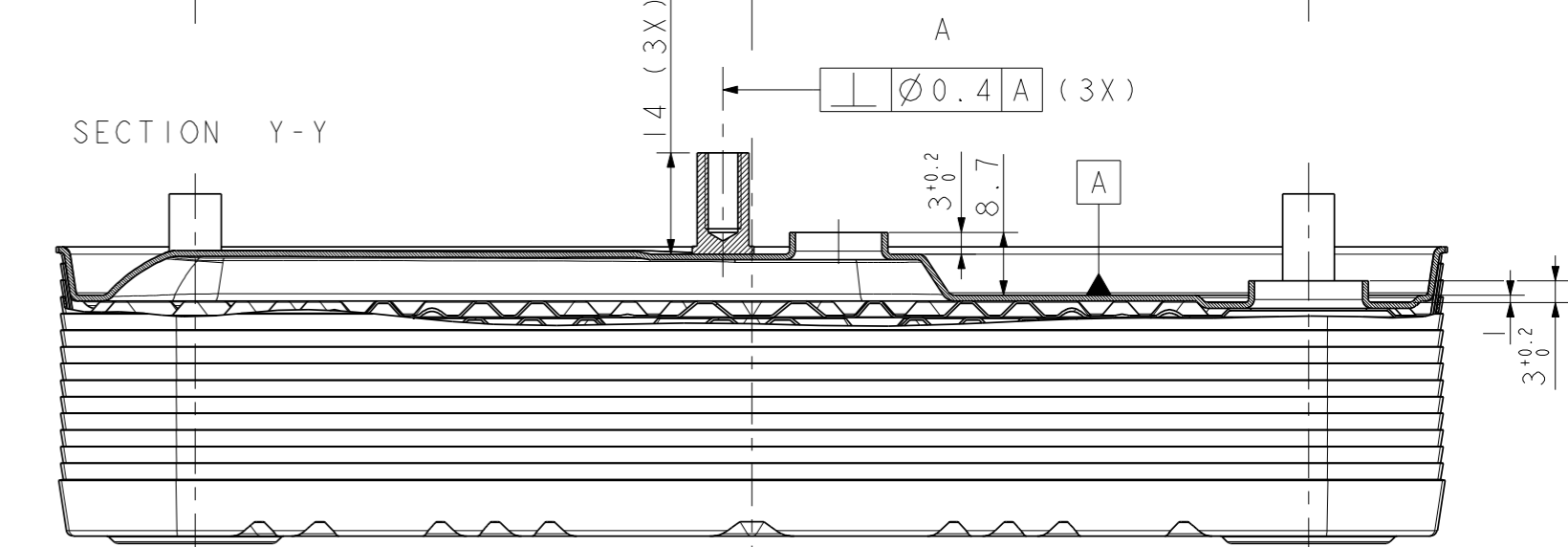
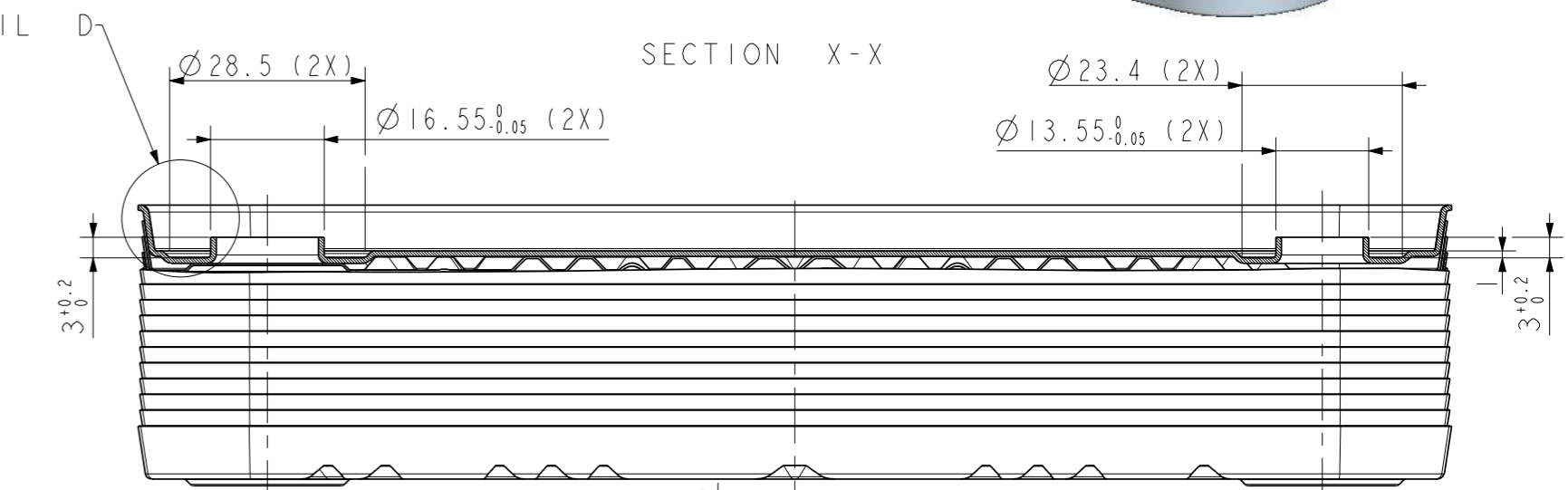


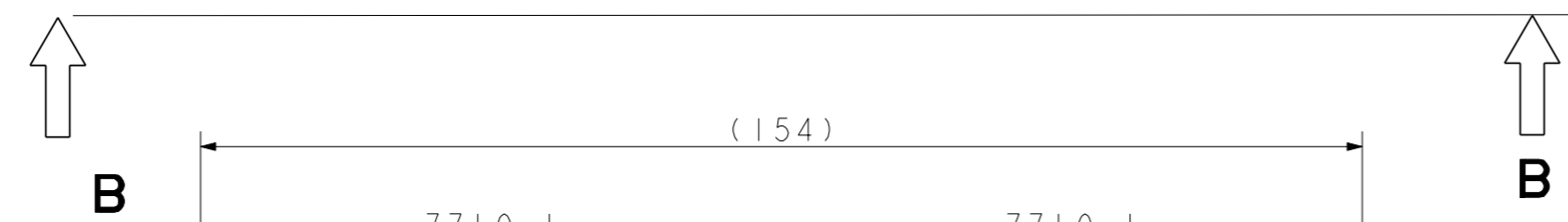
VIEW B - B



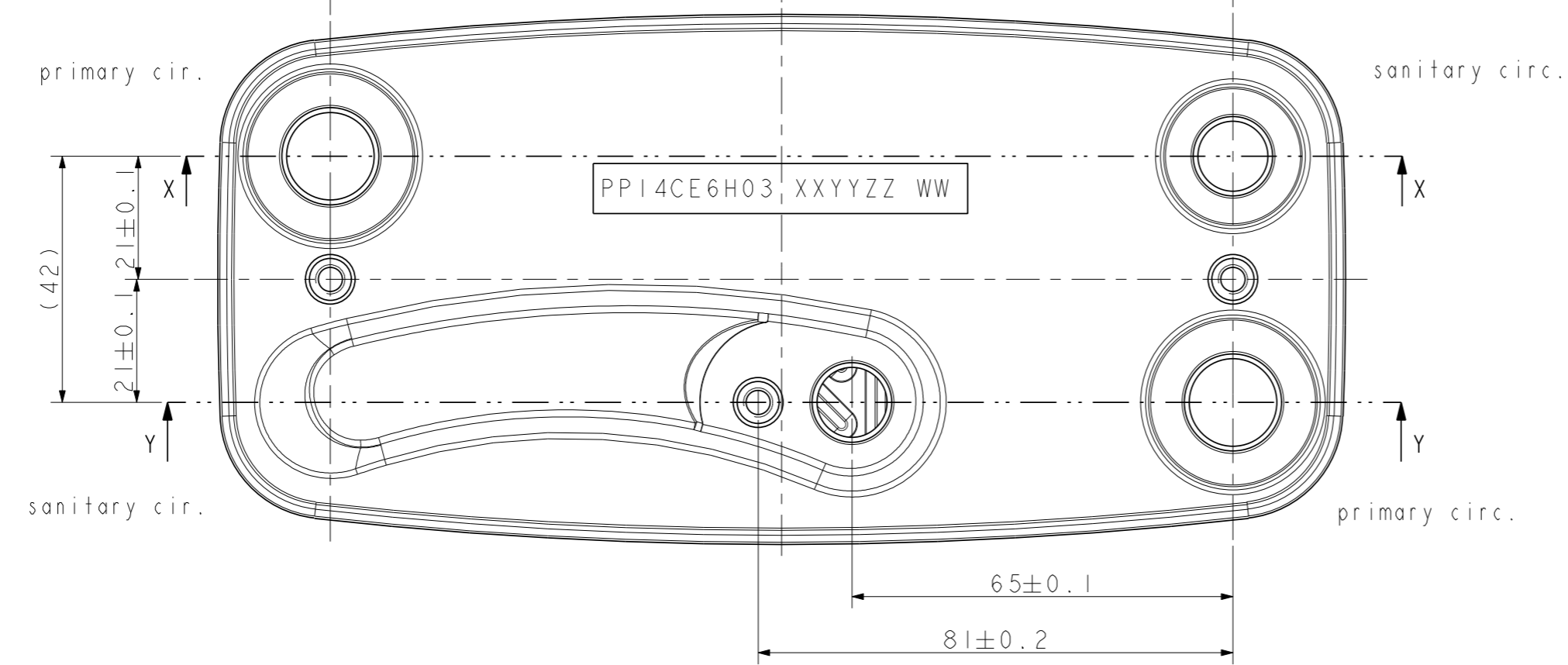
SEE DETAIL D



VIEW C - C



VIEW A - A

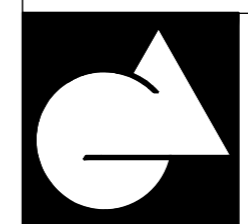


PP14CE6H03	XXYYZZ	WW
CODE NUMBER	LOT	YEAR
	MONTH	DAY

MATERIALS
 Keep Plate : X5CrNi 18-10 UNI EN 10088-2 (AISI304)
 Flow Fins Plates : X2CrNiMo 17-12-2 UNI EN 10088-2 (AISI316L)
 Final plate : X5CrNi 18-10 UNI EN 10088-2 (AISI304)
 Studs: X8CrNiS 18-9 UNI EN 10088-2 (AISI303)
 Copper Plate : Cu 99.9 %

TECHNICAL CHARACTERISTIC
 Test conditions : 15 bar sanitary circuit
 : 4.5 bar primary circuit
 Maximum working conditions : 10 bar sanitary circuit
 : 3 bar primary circuit

A	Added DETAIL D and tolerance where indicated	04/06/08	G. P.
REV.(ISSUE)	DESCRIZIONE (DESCRIPTION)	DATA (DATE)	DIS.(DRW)
DESCRIZIONE (DESCRIPTION) PLATE HEAT EXCHANGER type PCE14 (cross flow)		SCALA (SCALE)	1 : 1
MATERIALE (MATERIAL)		DATA (DATE)	20/07/07
TOLL. GEN. (GEN.TOLL) +0.5		CLIENTE (CUSTOMER)	
FORMATO DISEGNO (DRAWING FORMAT) A2		DISEGNATORE (DRW)	G. P.
APPROVATO UT (T. D. APPROVAL)		VERIFICATO (VERIFIED)	
SOSTITUISCE		SNAP14EH04A1	
SOSTITUITO DA			
N° CODICE (CODE N°)		PP14CE6H03	
N° DISEGNO (DRW N°)		TIPO	STATO
		PF	DF
		NUMERO	11961



GIANNONI S.p.A.
 COMPONENTI PER CALDAIE
 COMPONENTS FOR BOILERS
 Sede legale : via G. Leopardi, 20 20123 MILANO
 Sede amministrativa e stabilimento : via Milano, 49/51
 26866 CASTIRAGA VIDARDO (LO) ITALY
 Tel. : 0371/215.1
 Fax : 0371/217014
 http : www.giannoni.it