



Series	Type	Vin	Vout [kV]	Iout cc [mA]	ED	Output	Applications	page
--------	------	-----	-----------	--------------	----	--------	--------------	------



TRS INDUCTIVE TRANSFORMER | TRASFORMATORE INDUTTIVO TRS



TRS513C	230V	2x2,5	10	100%	Grounded center			•	•	28
TRS812C	230V	2x4	12	100%	Grounded center		•		•	28
TRS815C	230V	2x4	15	100%	Grounded center				•	28
TRS818C	230V	2x4	18	100%	Grounded center		•		•	28
TRS820	230V	2x4	20	25% on 4'	Grounded center		•			28
TRS1020	230V	2x5	20	25% on 4'	Grounded center		•			28
TRS1020	230V	2x5	20	33% on 3'	Grounded center		•		•	28
TRS1030	230V	2x5	30	25% on 4'	Grounded center		•			28
TRS1220	230V	2x6	20	25% on 4'	Grounded center		•			28
TRS404PC	230V	1x4	4	100%	Grounded pole	•	•			29
TRS505PC	230V	1x5	5	100%	Grounded pole	•	•			29
TRS508PC	230V	1x5	8	100%	Grounded pole	•	•			29
TRS510PC	230V	1x5	10	100%	Grounded pole	•	•			29
TRS515PC	230V	1x5	15	100%	Grounded pole	•	•			29
TRS6.508PC	230V	1x6,5	8	100%	Grounded pole	•	•			29
TRS606PC	230V	1x6,5	6	100%	Grounded pole	•	•			29
TRS610PC	230V	1x6,5	10	100%	Grounded pole	•	•			29
TRS708PC	230V	1x7	8	100%	Grounded pole	•	•			29
TRS818PC	230V	1x8	18	100%	Grounded pole	•	•			29
TRS820P	230V	1x8	20	25% on 4'	Grounded pole	•	•			29
TRS723P US	120V	1x7	23	25% on 4'	Grounded pole	•	•			29
TRS820PISO	230V	1x8	20	33% on 3'	Insulated	•	•			29
TRS830P	230V	1x8	30	25% on 4'	Grounded pole	•	•			29
TRS1815C/IS	230V	1x2	15	100%	Insulated	•	•			29

Medium-size inductive transformer, suitable for all kinds of gas and oil burners, where continuous or intermittent power and achievement of higher voltages and currents are required. This serie is available in a great number of variations. It suits very different uses such as burners, high-pressure cleaners, anti-mosquito electric equipment and ionizers.

Trasformatore induttivo di dimensioni medie adatto a tutti i tipi di bruciatore a gas e a gasolio, dove è richiesta una potenza continua o intermittente e il raggiungimento di tensioni e correnti più elevate. Impieghi: bruciatori, idropultrici, zanzariere, ionizzatori.

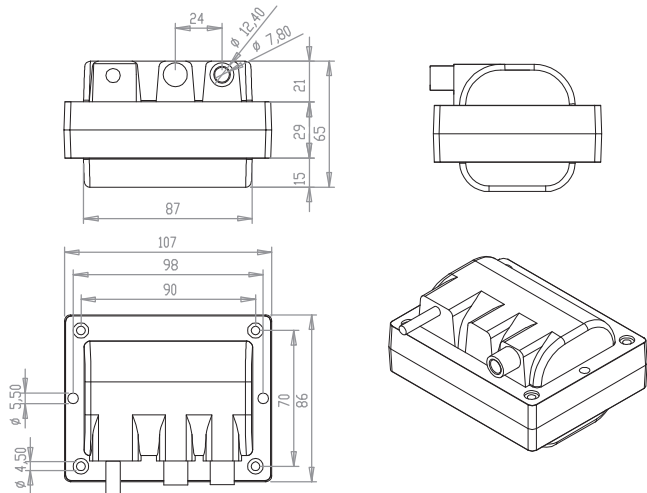
Available powersupply voltages
100V - 400 Vac

Tensioni di alimentazione disponibili
100 V - 400 Vac

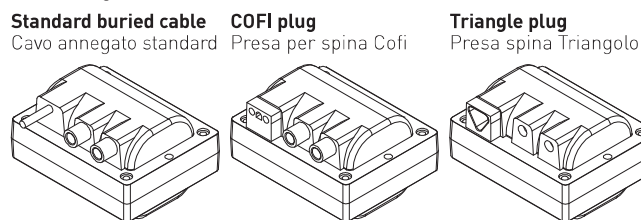


1 POLE | 1 POLO

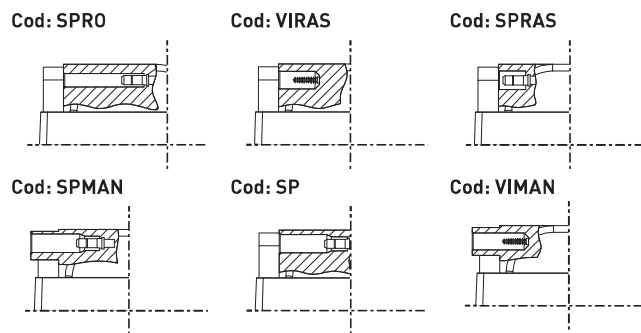
Technical drawing | Disegno tecnico [mm]



Inlet | Ingressi



Outlet | Uscite



Type	Vin	Freq	Vout	Iout	ED	Output	Note
CONTINUOUS 100% CONTINUI 100%							
TRS404PC	230V	50Hz	1x4 kV	4 mA	100%	Grounded pole	CE
TRS505PC	230V	50Hz	1x5 kV	5 mA	100%	Grounded pole	CE
TRS508PC	230V	50Hz	1x5 kV	8 mA	100%	Grounded pole	CE
TRS510PC	230V	50Hz	1x5 kV	10 mA	100%	Grounded pole	CE
TRS515PC	230V	50Hz	1x5 kV	15 mA	100%	Grounded pole	CE
TRS6.508PC	230V	50Hz	1x6,5 kV	8 mA	100%	Grounded pole	CE
TRS606PC	230V	50Hz	1x6,5 kV	6 mA	100%	Grounded pole	CE
TRS610PC	230V	50Hz	1x6,5 kV	10 mA	100%	Grounded pole	CE
TRS708PC	230V	50Hz	1x7 kV	8 mA	100%	Grounded pole	CE
TRS818PC	230V	50Hz	1x8 kV	18 mA	100%	Grounded pole	CE
TRS1815C/IS	230V	50Hz	1x2 kV	15 mA	100%	Grounded pole	CE

INTERMITTENT | INTERMITTENTI

TRS820P	230V	50Hz	1x8 kV	20 mA	25% on 4'	Grounded pole	
TRS723P US	120V	60Hz	1x8 kV	23 mA	25% on 4'	Grounded pole	
TRS830P	230V	50Hz	1x8 kV	30 mA	25% on 4'	Grounded pole	CE
TRS820PISO*	230V	50Hz	1x8 kV	20 mA	33% on 3'	Insulated	CE

*Transformers used with control box designed for igniting and flame detecting. | Trasformatori adatti all'uso con apparecchiature progettate per l'accensione e la rilevazione monolettrodo.

Applications | Applicazioni



Available certification | Certificazioni disponibili

